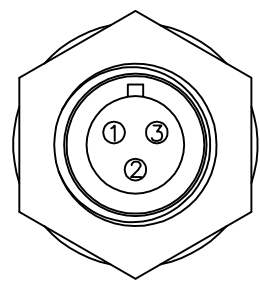
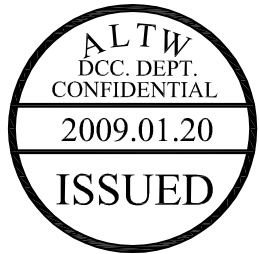
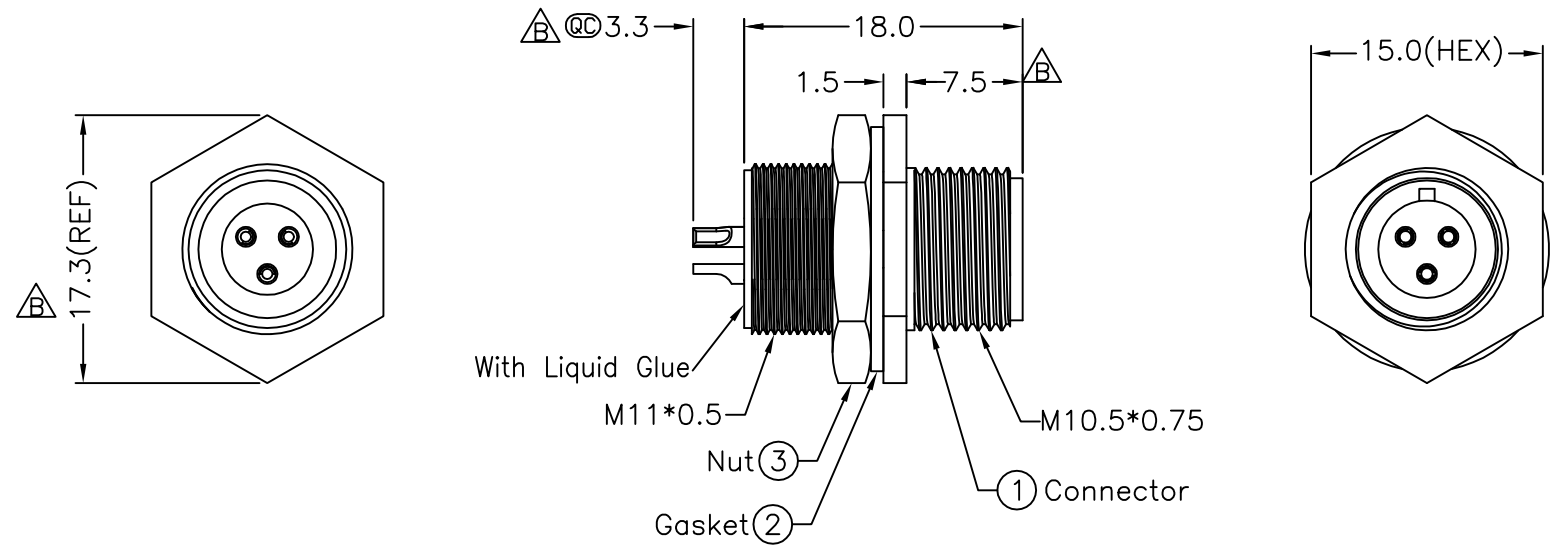
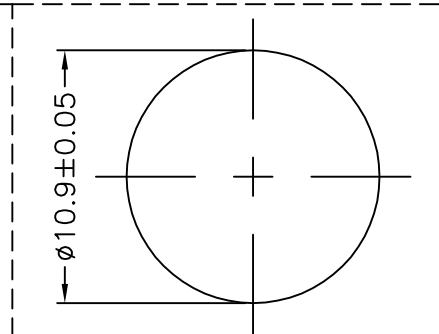


5	6	7	8
REV. B	ECN NO. LE3-910082	DATE 2009/01/16	SIGN Vicky
			DESCRIPTION Update the drawing.

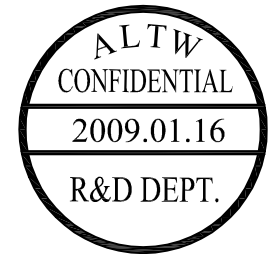
THIS DOCUMENT IS SUBJECT TO CHANGE WITHOUT NOTICE. IT IS CONFIDENTIAL AND A PROPERTY OF Amphenol LTW. DISCLOSURE TO THIRD PARTY HAS TO BE AUTHORIZED BY Amphenol LTW.



Pin Assignments  
Front View



Recommended Panel Cut-Out



Notes:

- \* @C Important Dimension.
- \* Waterproof Rate:IP67.
- \* Connector:Black,Nylon+GF.
- \* Female Pin:Copper Alloy,Gold Plated.
- \* Gasket:Black,EPDM.
- \* Nut:Copper Alloy,Nickel Plated.
- \* Shield:Copper Alloy,Nickel Plated.
- \* For Panel Thickness Max:6.0mm.
- \* @B Nut Torque:4~6 Kgf.cm

UNIT:mm		TITLE M10.5 Conn Panel Screw 3P M Conn F Pin	<b>Amphenol LTW</b>		ITEM NO 105-03PMFS-SH7001	DRAWN BY Vicky	DATE 2009/01/16
TOLERANCE .X ±0.25 .XX ±0.1 .XXX ±0.05 ANGLES ±1'		SCALE Free	SHEET 1 OF 1	<b>安費諾亮泰企業股份有限公司</b>	DWG NO 105-03PMFS-SH7001	CHECKED BY Ivan	DATE 2009/01/16
		REV. B	SIZE A4	@C :Inspection Item	CUSTOMER ALTW	APPROVED BY Luke	DATE 2009/01/16