

Customer Information Sheet

DRAWING No.: M58-380XX42R

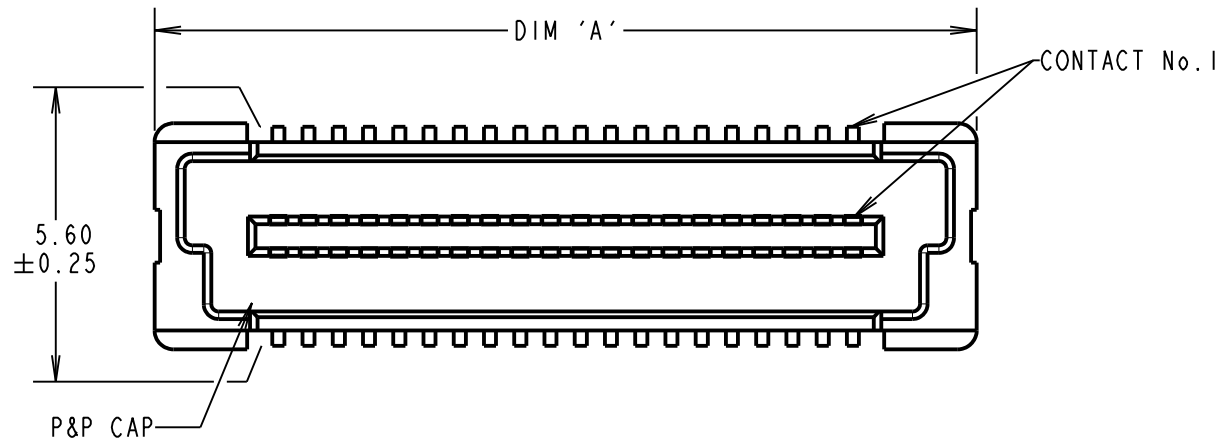
IF IN DOUBT - ASK

©

NOT TO SCALE

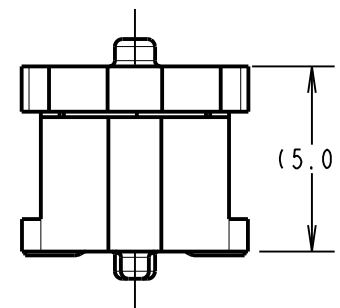
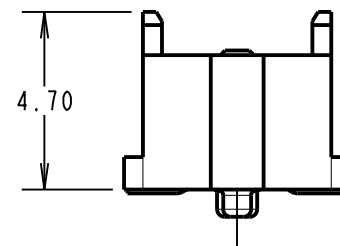
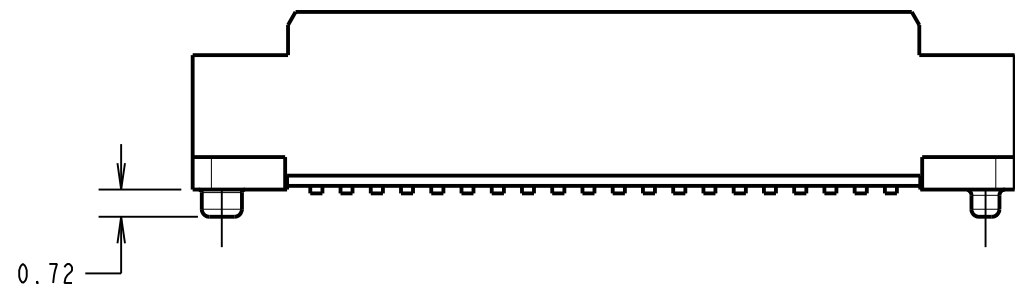
THIRD ANGLE PROJECTION

ALL DIMENSIONS IN mm

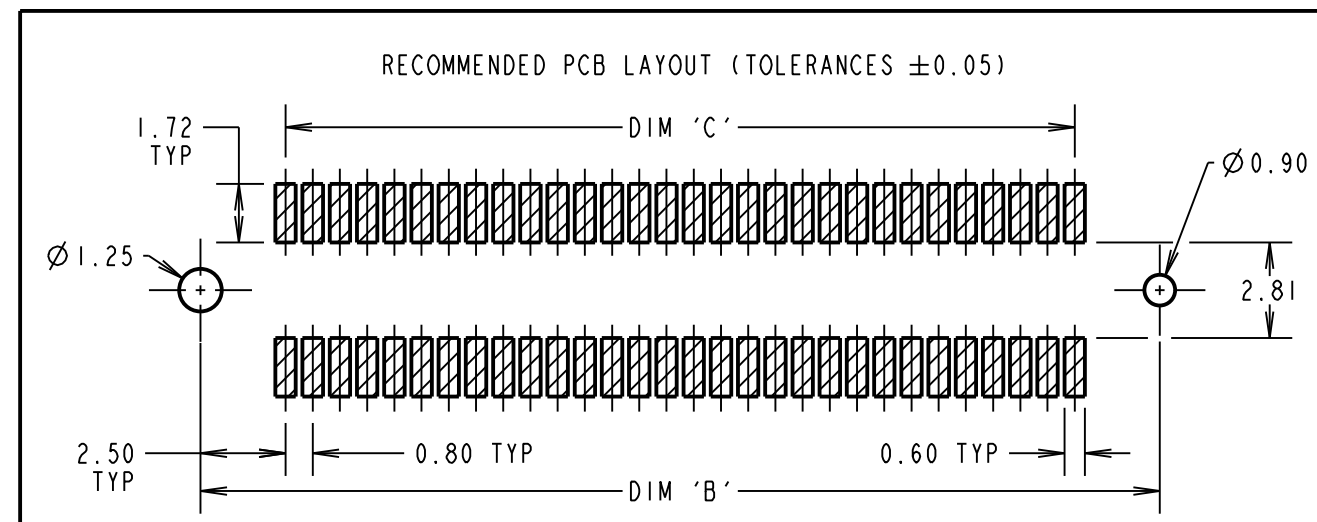
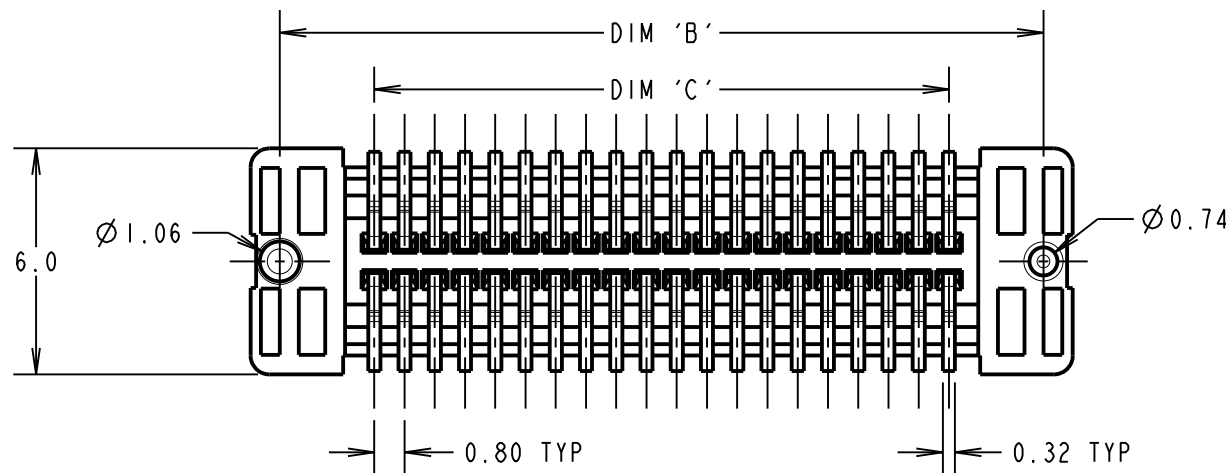


- NOTES:
1. FOR COMPLETE SPECIFICATION SEE COMPONENT SPECIFICATION C058XX (LATEST ISSUE).
 2. SEE SHEET 5 FOR TAPE AND REEL DETAILS.
 3. DRAWING SHOWS M58-3800442R.
 4. PCB LAYOUT SHOWING FOOTPRINT OF M58-3800642R.

MATED VIEW FOR STACK HEIGHT WHEN MATED WITH M58-280XX42R



PART No.	DIMENSIONS			WEIGHT (g)
	DIM 'A'	DIM 'B'	DIM 'C'	
M58-3800342R	17.75	16.20	11.20	0.40
M58-3800442R	21.75	20.20	15.20	0.49
M58-3800642R	29.75	28.20	23.20	0.69
M58-3800842R	37.75	36.20	31.20	0.88
M58-3801042R	45.75	44.20	39.20	1.07
M58-3801242R	53.75	52.20	47.20	1.26



ORDER CODE:

M58-380XX42R

No. OF CONTACTS:	
03 = 30 CONTACTS (15+15)	08 = 80 CONTACTS (40+40)
04 = 40 CONTACTS (20+20)	10 = 100 CONTACTS (50+50)
06 = 60 CONTACTS (30+30)	12 = 120 CONTACTS (60+60)

HARWIN

www.harwin.com
technical@harwin.com

THIS DRAWING AND ANY INFORMATION OR DESCRIPTIVE MATTER SET OUT HEREON ARE CONFIDENTIAL AND COPYRIGHT PROPERTY OF THE HARWIN GROUP AND MUST NOT BE DISCLOSED, LOANED, COPIED OR USED FOR MANUFACTURING, TENDERING OR FOR ANY OTHER PURPOSE WITHOUT THEIR WRITTEN PERMISSION.

TOLERANCES

X. = ±1mm
X.X = ±0.50mm
X.XX = ±0.20mm
X.XXX = ±0.01mm
ANGLES = ±5°
UNLESS STATED

MATERIAL:

SEE ABOVE

FINISH:

SEE ABOVE

S/AREA:

mm²

TITLE:

MALE 0.8mm PITCH BOARD TO BOARD VERTICAL SMT

DRAWING NUMBER:

M58-380XX42R

RA	1	15.09.21	30807
NAME	ISS.	DATE	CN/CO
APPROVED: R.PORTLOCK			
CHECKED: S.BENNETT			
DRAWN: R.ALEXANDER			
CUSTOMER REF.:			
ASSEMBLY DRG:			

SHT
4 OF 5

Customer Information Sheet

DRAWING No.: M58-380XX42R

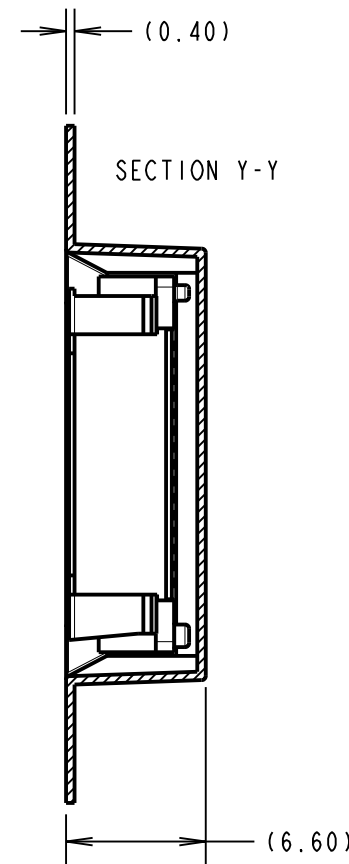
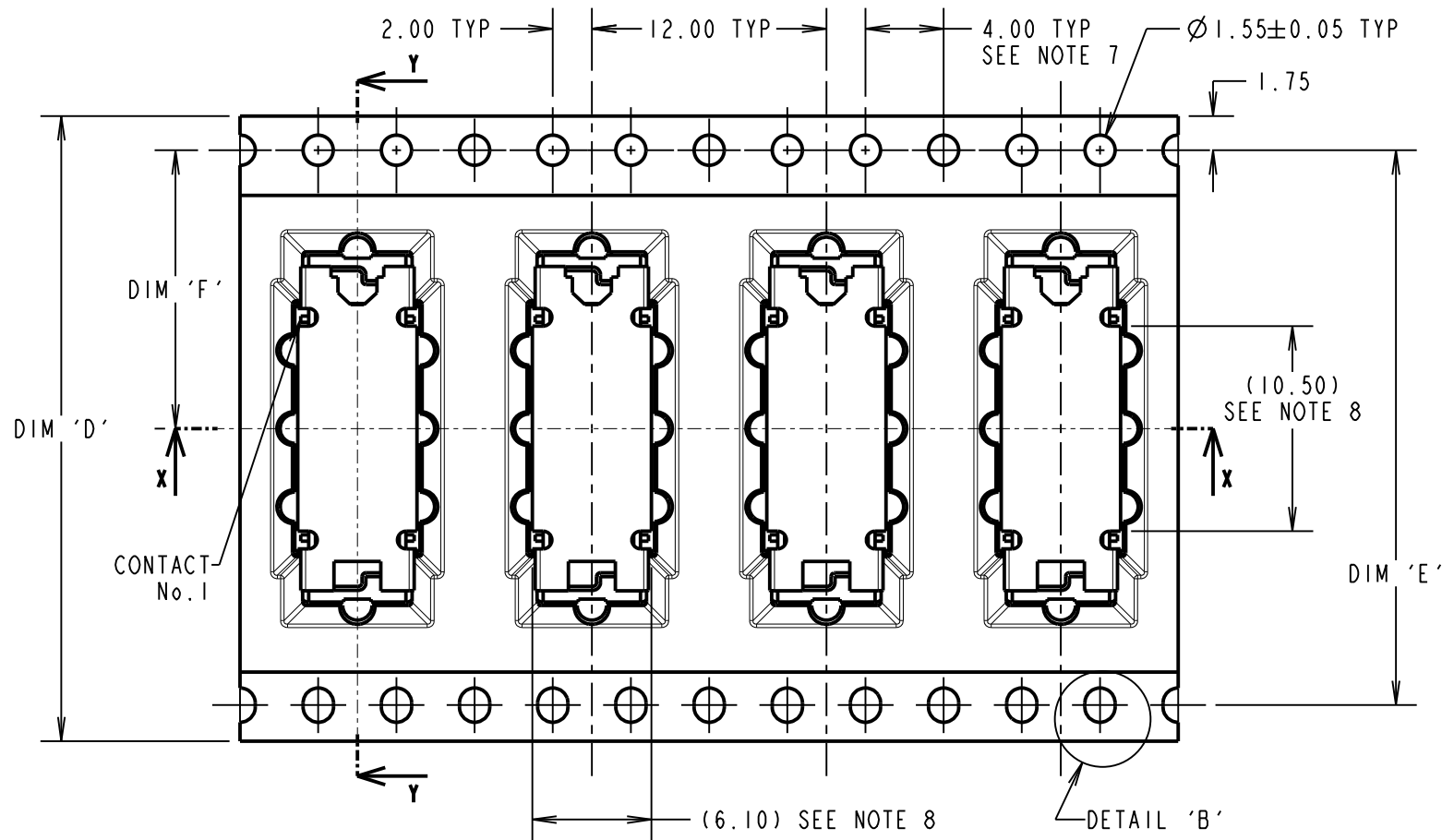
IF IN DOUBT - ASK

©

NOT TO SCALE

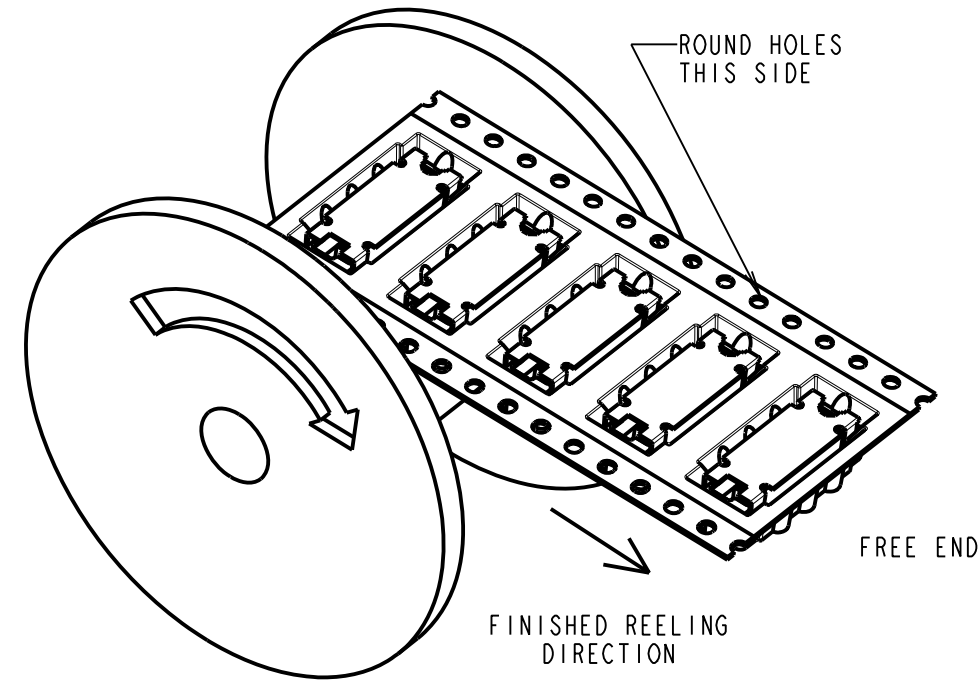
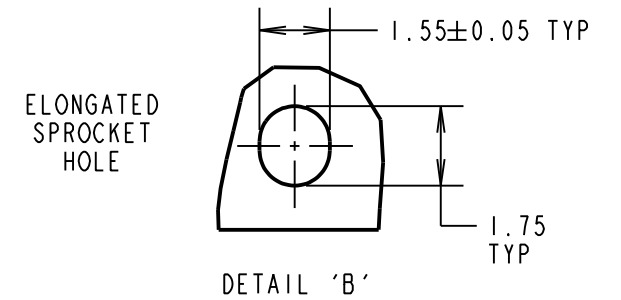
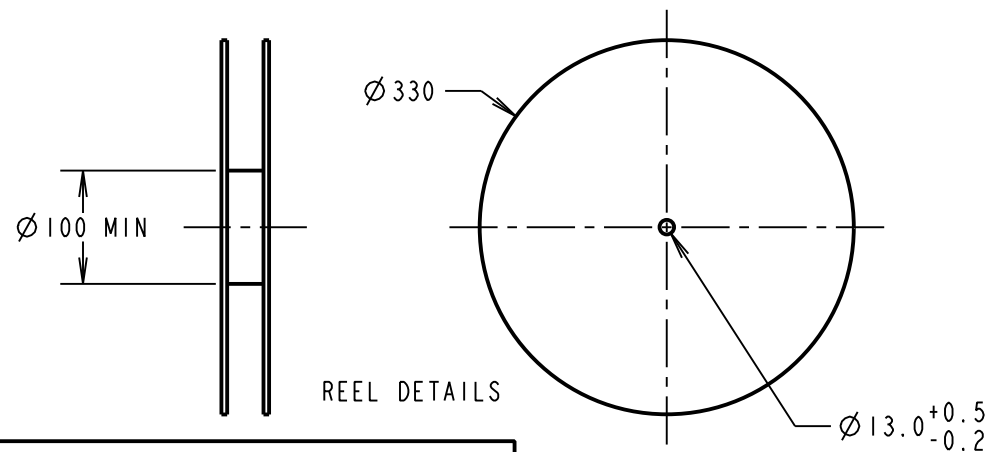
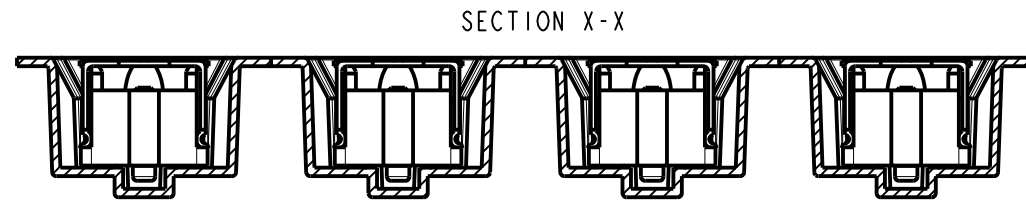
THIRD ANGLE PROJECTION

ALL DIMENSIONS IN mm



- NOTES:
5. TAPE AND REEL DRAWING SHOWS M58-3800342R.
 6. THIS PRODUCT IS TAPED AND REELED IN GENERAL ACCORDANCE WITH EIA-418 (ELECTRONICS INDUSTRY ASSOCIATION).
 7. CUMULATIVE TOLERANCE OVER 10 PITCHES = ±0.20mm.
 8. PICK AND PLACE CAP DIMENSIONS.

PART No.	DIMENSION			PCS/REEL
	DIM 'D' ±0.30	DIM 'E'	DIM 'F'	
M58-3800342R	32.00	28.40	14.20	800
M58-3800442R	44.00	40.40	20.20	800
M58-3800642R	56.00	52.40	26.20	800
M58-3800842R	56.00	52.40	26.20	800
M58-3801042R	72.00	68.40	34.20	800
M58-3801242R	72.00	68.40	34.20	800



RA	1	15.09.21	30807
NAME	ISS.	DATE	CN/CO
APPROVED: R.PORTLOCK			
CHECKED: S.BENNETT			
DRAWN: R.ALEXANDER			
CUSTOMER REF.:			
ASSEMBLY DRG:			

ORDER CODE:

M58-380XX42R

No. OF CONTACTS:	
03 = 30 CONTACTS (15+15)	08 = 80 CONTACTS (40+40)
04 = 40 CONTACTS (20+20)	10 = 100 CONTACTS (50+50)
06 = 60 CONTACTS (30+30)	12 = 120 CONTACTS (60+60)

HARWIN

www.harwin.com
technical@harwin.com

THIS DRAWING AND ANY INFORMATION OR DESCRIPTIVE MATTER SET OUT HEREON ARE CONFIDENTIAL AND COPYRIGHT PROPERTY OF THE HARWIN GROUP AND MUST NOT BE DISCLOSED, LOANED, COPIED OR USED FOR MANUFACTURING, TENDERING OR FOR ANY OTHER PURPOSE WITHOUT THEIR WRITTEN PERMISSION.

TOLERANCES

X. = ±1mm
X.X = ±0.50mm
X.XX = ±0.20mm
X.XXX = ±0.01mm
ANGLES = ±5°
UNLESS STATED

MATERIAL:

SEE ABOVE

FINISH:

SEE ABOVE

S/AREA:

mm²

TITLE:

MALE 0.8mm PITCH BOARD TO BOARD VERTICAL SMT

DRAWING NUMBER:

M58-380XX42R

SHT
5 OF 5