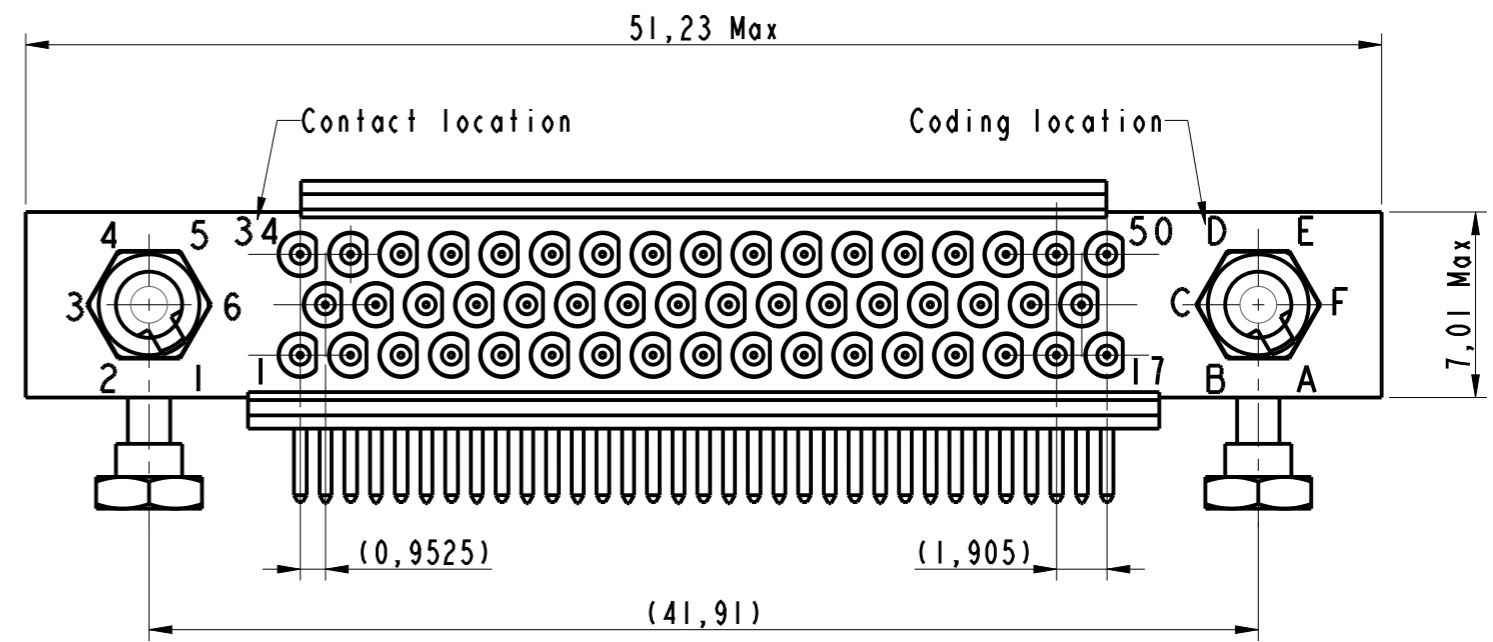
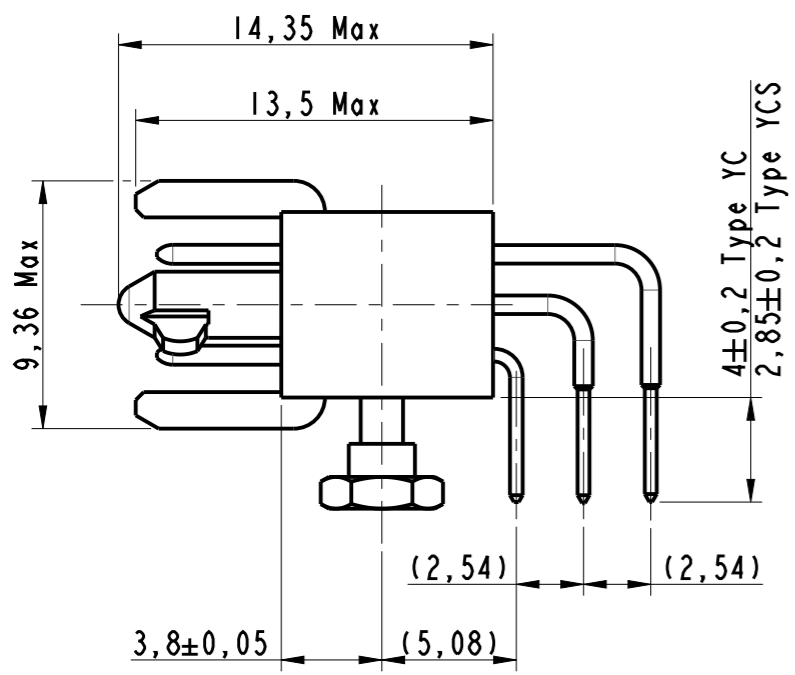
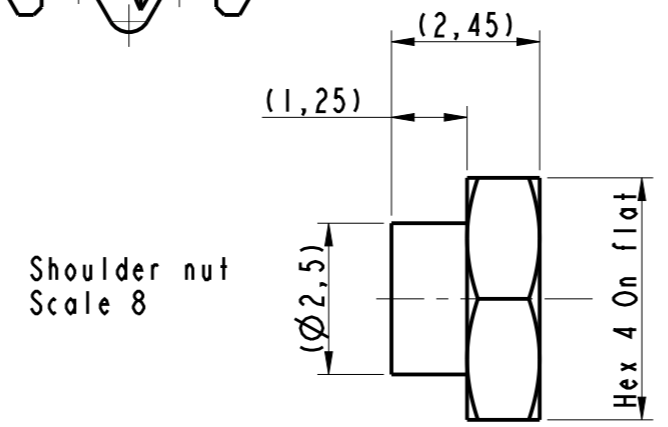
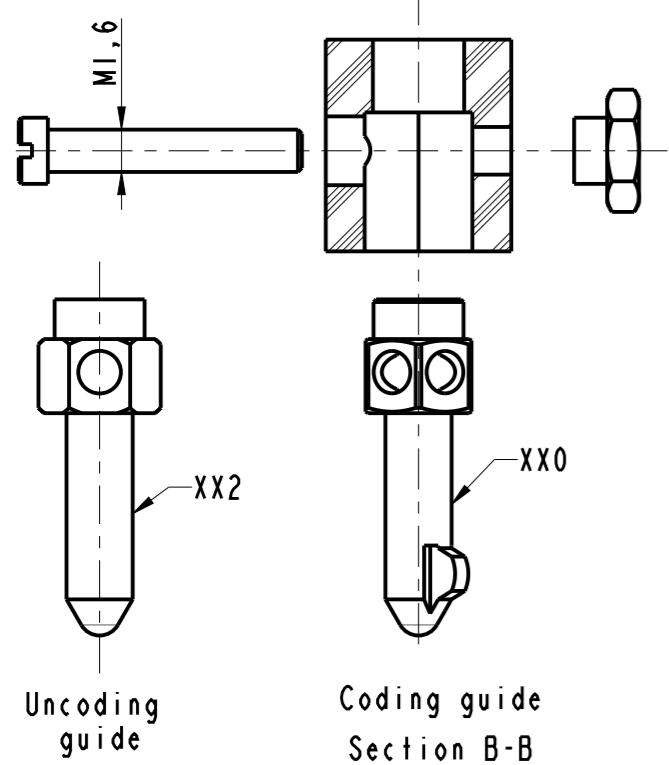
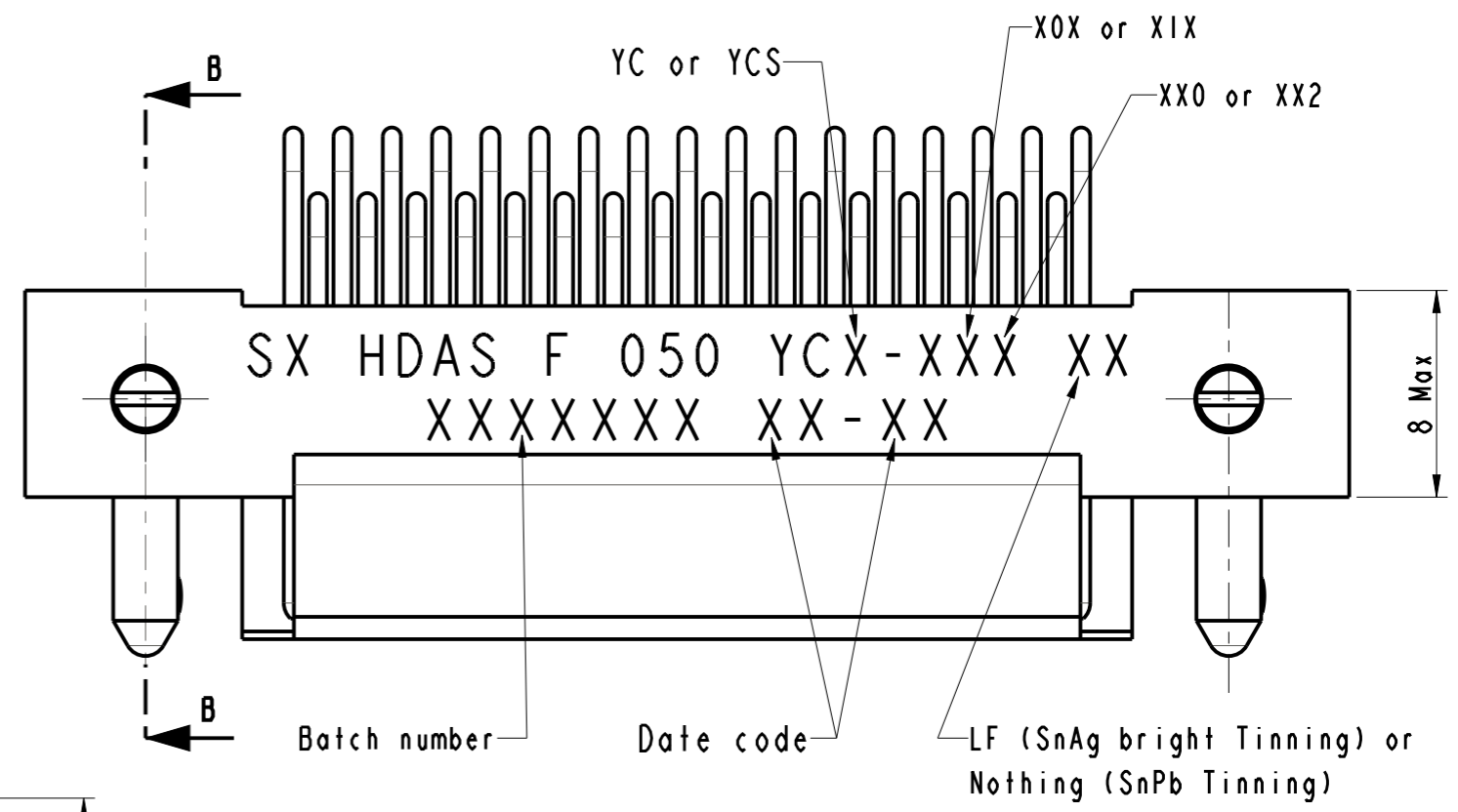
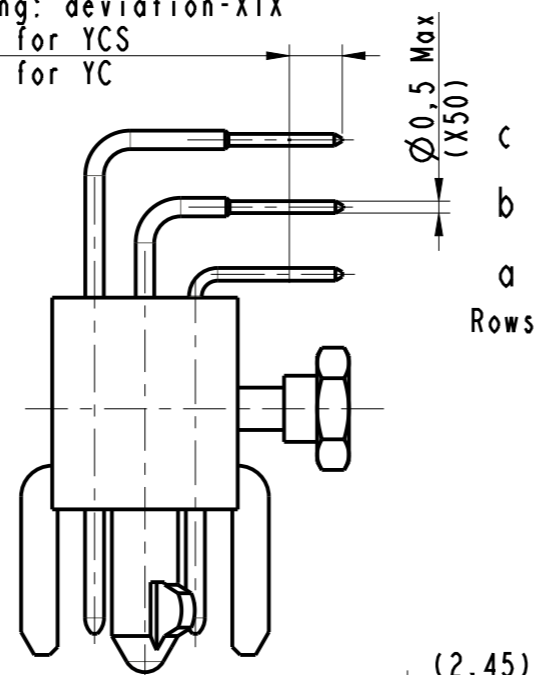


IN THE CONSTANT PURPOSE OF IMPROVING ITS PRODUCTS, AMPHENOL SOCAPEX RESERVES THE RIGHT TO MODIFY ANY DIMENSION OR CHARACTERISTICS.
FM.NPD.0036.THYEZ.PUNE rev C



Tinching: deviation-XIX
2 Min for YCS
3 Min for YC

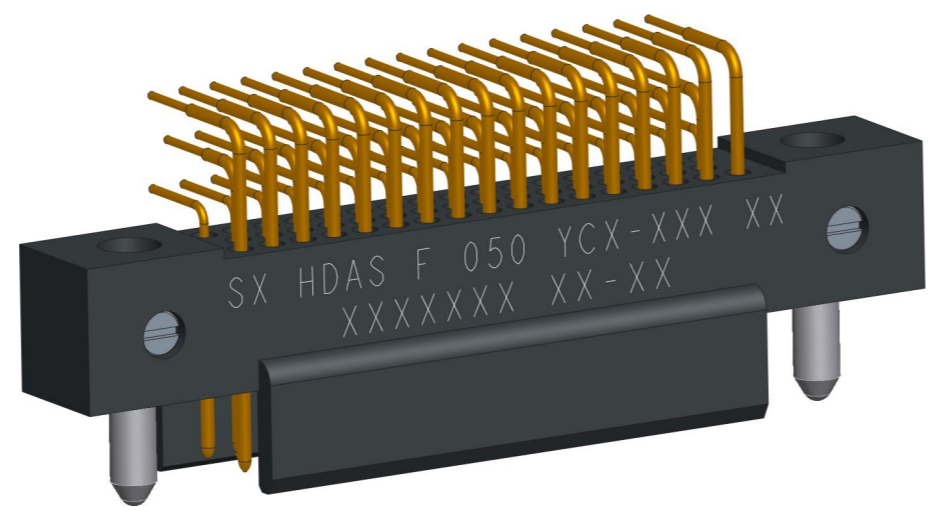
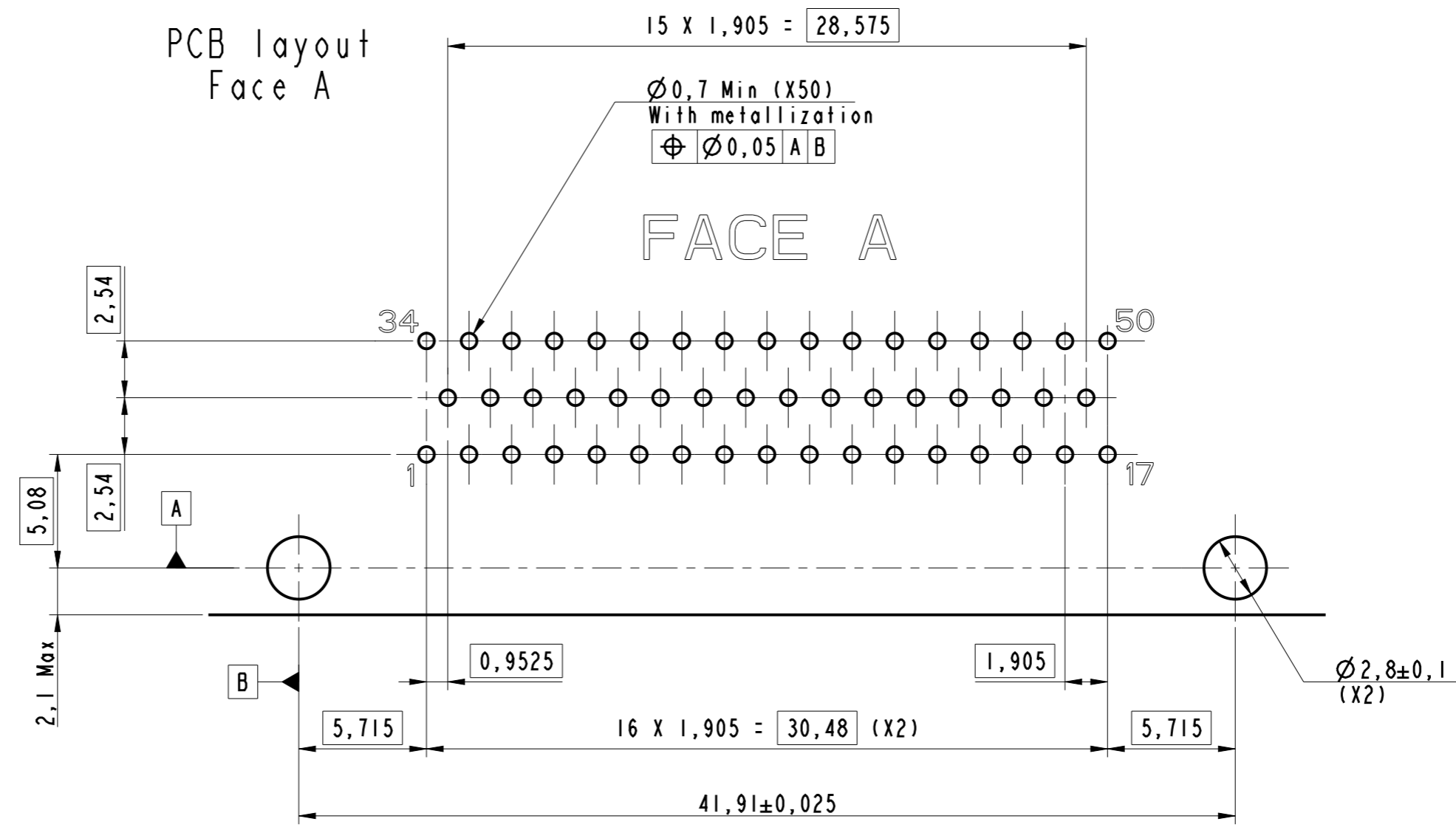
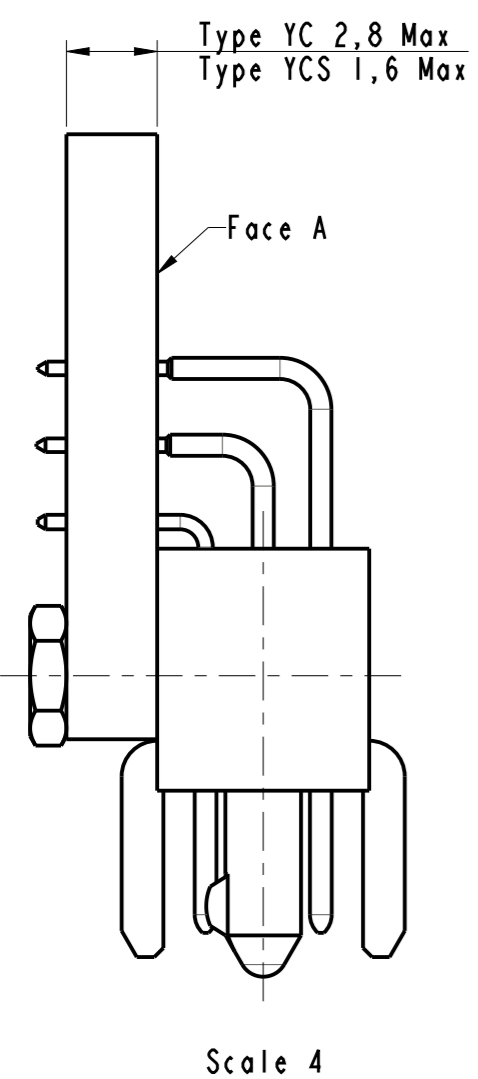


- Notes:
- Reference: HDAS F 050 YCX-XXX XX
 - External dimensions of the plug HDAS with 50 signal contacts type YCX
 - Connector delivered with fittings not assembled, coupling torque : 0,15 Nm
 - Standard OXX : Nickel plated over brass fittings.
Deviation IXX : Passivated stainless steel fittings.
 - Standard X0X : Contacts gold plated (RoHS)
Deviation XIX : Contacts tail Hot dip tinned SnPb (non RoHS) or SnAg (RoHS)

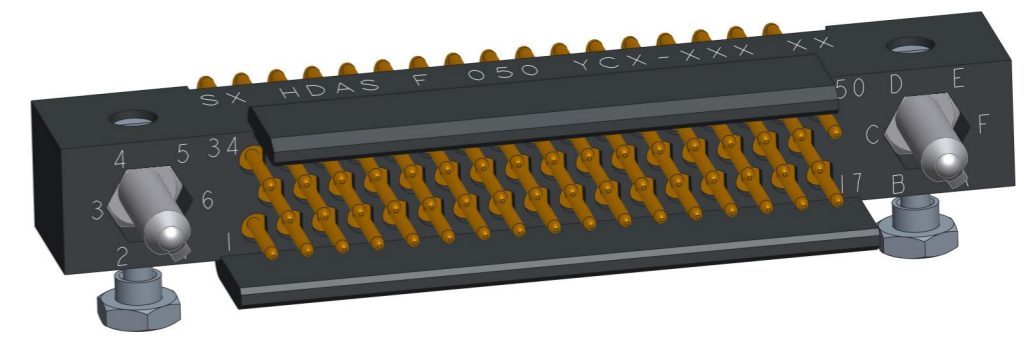
HDAS F 050 YCX-XXX XX

DRAWN BY: S Satpute		UPDATED BY: S Satpute		LAST APPROVED BY: T Carrier	
ALL DIMENSIONS ARE IN MM	AMPHENOL SOCAPEX			ORIGINAL DRAWING DATE: 08/03/2017	CONFIGURATION DATA ARE AVAILABLE IN PDM
				REV: D	PAGE: 1/2
SCALE: 3,5	B.P. 29 74311 THYEZ CEDEX			169-PLC-1323-00	

IN THE CONSTANT PURPOSE OF IMPROVING ITS PRODUCTS, AMPHENOL SOCAPEX RESERVES THE RIGHT TO MODIFY ANY DIMENSION OR CHARACTERISTICS.
 FM.NPD.0036.THYZE.PUNE rev C



Scale 3



HDAS F 050 YCX-XXX XX

DRAWN BY : S Satpute		UPDATED BY: S Satpute		LAST APPROVED BY: T Carrier	
ALL DIMENSIONS ARE IN MM		AMPHENOL SOCAPEX		ORIGINAL DRAWING DATE : 08/03/2017	CONFIGURATION DATA ARE AVAILABLE IN PDM
SCALE : 4				REV : D	PAGE : 2/2
		B.P. 29 74311 THYZE CEDEX		169-PLC-1323-00	