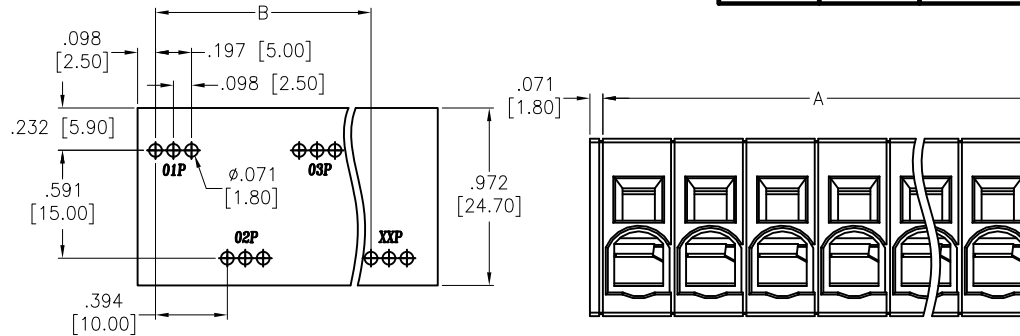
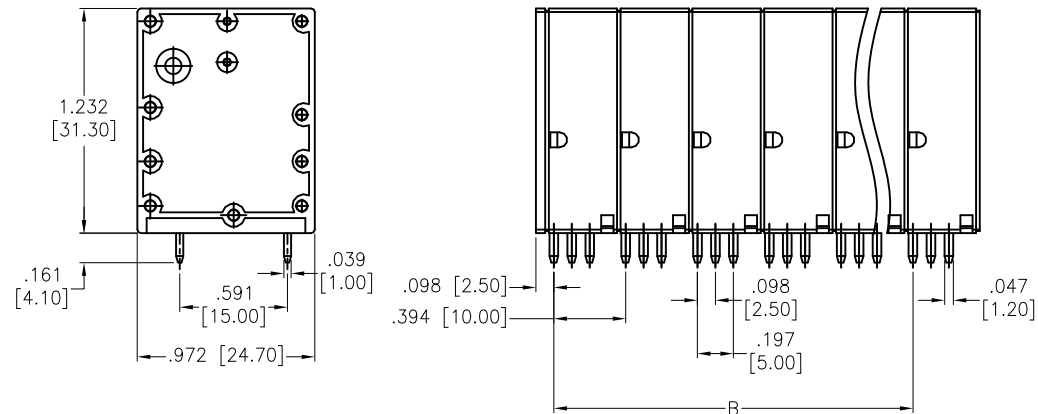


APPROVED: _____
 DATE: _____ TITLE: _____

Rev	AWO #	Description	Date	Appr
-		RELEASED	6/21/17	
A		UPDATE SPEC.	11/26/18	AY/AC
B		UPDATE DRAWING	3/23/22	WX/RC



RECOMMENDED PCB LAYOUT



SPECIFICATIONS:

Material:

Insulator: PA66, rated UL 94V-0

Insulator color: Green

Contact: Copper Alloy, Tin plated

Electrical:

Voltage rating: 600 V

Current rating: 66 A

Dielectric withstanding voltage: 2,200 VAC for 1 minute

Mechanical:

Strip length: 18mm

Wire Range: 18-4AWG

Temperature Rating:

Operating temperature: -40°C to +105°C

Environmental:

Lead free, RoHS compliant.



Poles: 01 thru 12

A = .394 [10.00] X No. of Positions

B = .394 [10.00] X No. of Spaces

UNLESS OTHERWISE SPECIFIED ALL DIMENSIONS ARE INCHES [MM]. TOLERANCES: EXCEPT AS NOTED			
INCHES		HOLES	
.X	± .10	ØX	± .10
.XX	± .020	ØXX	± .015
.XXX	± .015	ØXXX	± .010



909 Rahway Avenue,
 Union, NJ 07083
 Phone: 908-687-5000
 Fax: 908-687-5710

DRAWN	HR	6/21/17
CHECKED	MC	6/21/17
APPROVED		

TITLE
 SPRING CLAMP EURO BLOCK, .394 [10.00] PITCH

THIS DRAWING CONTAINS INFORMATION THAT IS PROPRIETARY AND SHOULD NOT BE USED WITHOUT PRIOR WRITTEN PERMISSION FROM ADAM TECH

SIZE	PART NO.	REV.
X	EB167A-XX-H-180	B
REF: S00067C	SCALE: NTS	SHEET 1 OF 1