



## ■ Features

- DIP 1"x1" package with industry standard pinout
- 2:1 wide input range
- Operating temperature range -40 ~ +85°C
- No minimum load required
- Comply to BS EN/EN55032 radiated Class A without additional components
- High efficiency up to 90%
- Protections: Short circuit (Continuous) / Overload / Over voltage / Input under voltage
- 1.5KVDC I/O isolation
- Remote ON/OFF control and Trimming output ( $\pm 10\%$ )
- 3 years warranty

## ■ Applications

- Telecom/datacom system
- Wireless network
- Industrial control facility
- Instrument
- Analyzer
- Detector
- Data switch

## ■ GTIN CODE

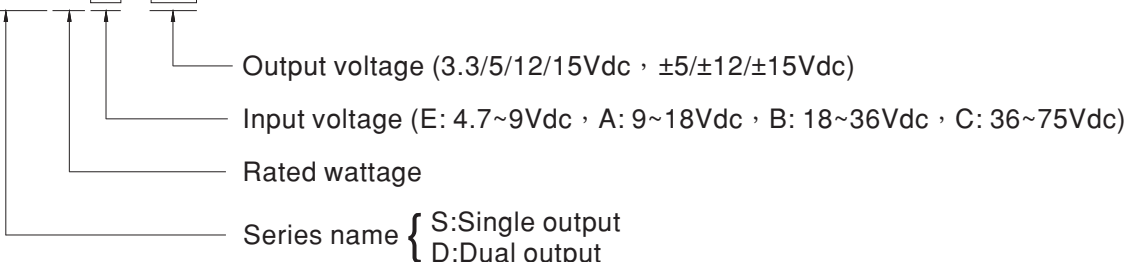
MW Search: <https://www.meanwell.com/serviceGTIN.aspx>

## ■ Description

SKM10 and DKM10 series are 10W isolated and regulated module type DC-DC converter with DIP 1"x1" package. It features international standard pins, a high efficiency up to 90%, wide working temperature range -40~+85°C, 1.5KVDC I/P-O/P isolation voltage, Compliance to BS EN/EN55032 radiated Class A without additional components, continuous-mode short circuit protection, etc. The models account for different input voltage 4.7~9V, 9~18V, 18~36V and 36~75V 2:1 wide input range, and various output voltage, 3.3V/5V/12V/15V for single output and  $\pm 5V/\pm 12V/\pm 15V$  for dual outputs, which are suitable for all kinds of systems, Such as industrial control, telecommunication field, distributed power architecture, and so on.

## ■ Model Encoding

**SKM10E-12**





MODEL SELECTION TABLE							
ORDER NO.	INPUT			OUTPUT		EFFICIENCY (Typ.)	CAPACITOR LOAD (MAX.)
	INPUT VOLTAGE (RANGE)	INPUT CURRENT		OUTPUT VOLTAGE	OUTPUT CURRENT		
		NO LOAD	FULL LOAD				
SKM10E-03	5V (4.7 ~ 9V)	85mA	1897mA	3.3V	2500mA	87%	2470μF
SKM10E-05		85mA	2299mA	5V	2000mA	87%	2000μF
SKM10E-12		30mA	2298mA	12V	833mA	87%	940μF
SKM10E-15		30mA	2297mA	15V	666mA	87%	690μF
DKM10E-05		40mA	2353mA	±5V	±0 ~ 1000mA	85%	*1000μF
DKM10E-12		40mA	2295mA	±12V	±0 ~ 416mA	87%	*440μF
DKM10E-15		40mA	2297mA	±15V	±0 ~ 333mA	87%	*330μF
SKM10A-03	12V (9 ~ 18V)	30mA	855mA	3.3V	2500mA	81%	2470μF
SKM10A-05		30mA	980mA	5V	2000mA	85%	2000μF
SKM10A-12		35mA	957mA	12V	833mA	89%	940μF
SKM10A-15		35mA	956mA	15V	666mA	87%	690μF
DKM10A-05		40mA	985mA	±5V	±0 ~ 1000mA	85%	*1000μF
DKM10A-12		40mA	957mA	±12V	±0 ~ 416mA	87%	*440μF
DKM10A-15		40mA	957mA	±15V	±0 ~ 333mA	89%	*330μF
SKM10B-03	24V (18 ~ 36V)	25mA	421mA	3.3V	2500mA	82%	2470μF
SKM10B-05		25mA	490mA	5V	2000mA	85%	2000μF
SKM10B-12		25mA	478mA	12V	833mA	88%	940μF
SKM10B-15		25mA	478mA	15V	666mA	88%	690μF
DKM10B-05		25mA	490mA	±5V	±0 ~ 1000mA	85%	*1000μF
DKM10B-12		25mA	478mA	±12V	±0 ~ 416mA	88%	*440μF
DKM10B-15		25mA	478mA	±15V	±0 ~ 333mA	90%	*330μF
SKM10C-03	48V (36 ~ 75V)	15mA	213mA	3.3V	2500mA	81%	2470μF
SKM10C-05		15mA	245mA	5V	2000mA	85%	2000μF
SKM10C-12		15mA	239mA	12V	833mA	89%	940μF
SKM10C-15		15mA	239mA	15V	666mA	88%	690μF
DKM10C-05		15mA	246mA	±5V	±0 ~ 1000mA	85%	*1000μF
DKM10C-12		15mA	239mA	±12V	±0 ~ 416mA	86%	*440μF
DKM10C-15		15mA	239mA	±15V	±0 ~ 333mA	89%	*330μF

\* For each output

SPECIFICATION				
INPUT	VOLTAGE RANGE	E: 4.7~9Vdc , A: 9~18Vdc , B: 18~36Vdc , C: 36~75Vdc		
	SURGE VOLTAGE (100ms max.)	5Vin models : 12Vdc, 12Vin models : 25Vdc, 24Vin models : 50Vdc, 48Vin models : 100Vdc		
	FILTER	Pi type		
	PROTECTION	Fuse recommended. 5Vin models: 5A delay time Type, 12Vin models: 4A delay time Type, 24Vin models: 2A delay time Type, 48Vin models: 1A delay time Type		
	INTERNAL POWER DISSIPATION	500mW		
OUTPUT	VOLTAGE ACCURACY	± 1.5%		
	RATED POWER	10W		
	RIPPLE & NOISE <small>Note.2</small>	50mVp-p		
	LINE REGULATION <small>Note.3</small>	± 0.2%		
	LOAD REGULATION <small>Note.4</small>	Single output models: ± 0.2%, Dual output models: ± 1%		
	SWITCHING FREQUENCY (Typ.)	350KHz		
	EXTERNAL TRIM ADJ. RANGE (Typ.)	± 10% (Single output model only)		
PROTECTION	SHORT CIRCUIT	Protection type : Continuous, automatic recovery		
	OVERLOAD	110 ~ 140% rated output power		
		Protection type : Recovers automatically after fault condition is removed		
	OVER VOLTAGE	Protection type : Clamp by diode		
UNDER VOLTAGE LOCKOUT	Start-up voltage	5Vin: 4.4Vdc, 12Vin: 8.8Vdc, 24Vin: 17Vdc, 48Vin: 34Vdc		
	Shutdown voltage	5Vin: 4.2Vdc, 12Vin: 8Vdc, 24Vin: 16Vdc, 48Vin: 32Vdc		
FUNCTION	REMOTE CONTROL	Power ON: R.C. ~ -Vin > 5.5~75Vdc or open circuit ; Power OFF: R.C. ~ -Vin < 1.2Vdc or short		
ENVIRONMENT	COOLING	Free-air convection		
	WORKING TEMP.	-40 ~ +85°C (Refer to "Derating Curve")		
	CASE TEMPERATURE	+105°C max.		
	WORKING HUMIDITY	20% ~ 90% RH non-condensing		
	STORAGE TEMP., HUMIDITY	-55 ~ +125°C, 10 ~ 95% RH non-condensing		
	TEMP. COEFFICIENT	0.03% / °C (0 ~ 71°C)		
	SOLDERING TEMPERATURE	1.5mm from case of 1 ~ 3sec./260°C max.		
	VIBRATION	10 ~ 500Hz, 2G 10min./1cycle, period for 60min. each along X, Y, Z axes		
SAFETY & EMC (Note.5)	SAFETY STANDARDS	EAC TP TC 020/2011 (EAC TP TC 004 for 48Vin type only) approved		
	WITHSTAND VOLTAGE	I/P-O/P:1.5KVDC		
	ISOLATION RESISTANCE	I/P-O/P:100M Ohms / 500VDC / 25°C / 70% RH		
	ISOLATION CAPACITANCE (Typ.)	1000pF		
	EMC EMISSION	Parameter	Standard	Test Level / Note
		Conducted	BS EN/EN55032(CISPR32)	N/A
		Radiated	BS EN/EN55032(CISPR32)	Class A
	EMC IMMUNITY	Parameter	Standard	Test Level / Note
		ESD	BS EN/EN61000-4-2	Level 2, ±8KV air, ±4KV contact
		Radiated Susceptibility	BS EN/EN61000-4-3	Level 2, 3V/m
		EFT/Burest	BS EN/EN61000-4-4	Level 1, 0.5KV
		Surge	BS EN/EN61000-4-5	Level 1, 0.5KV Line-Line
		Conducted	BS EN/EN61000-4-6	Level 2, 3V(e.m.f.)
Magnetic Field		BS EN/EN61000-4-8	Level 2, 3A/m	
OTHERS	MTBF	1200Khrs MIL-HDBK-217F(25°C)		
	DIMENSION (L*W*H)	25.4*25.4*10.2mm (1*1*0.4 inch)		
	CASE MATERIAL	Black coated copper with Non-Conductive Base		
	PACKING	18.3g ; 12pcs/per tube, 600pcs/50 tube/per carton		
NOTE	<p>1.All parameters are specified at normal input(E:5Vdc, A:12Vdc, B:24Vdc, C:48Vdc), rated load, 25°C 70% RH ambient.</p> <p>2.Ripple &amp; noise are measured at 20MHz by using a 12" twisted pair terminated with a 0.1µf &amp; 47µf capacitor.</p> <p>3.Line regulation is measured from low line to high line at rated load.</p> <p>4.Load regulation is measured from 10% to 100% rated load.</p> <p>5.The final equipment must be re-confirm that it still meet EMC directives. For guidance on how to perform these EMC tests, please refer to "EMI testing of component power supplies."(as available on <a href="http://www.meanwell.com">http://www.meanwell.com</a>)</p> <p>※ Product Liability Disclaimer : For detailed information, please refer to <a href="https://www.meanwell.com/serviceDisclaimer.aspx">https://www.meanwell.com/serviceDisclaimer.aspx</a></p>			

**External Output Trimming**

In order to trim the voltage up or down one needs to connect the trim resistor either between the trim pin and -Vo for trim-up and between trim pin and +Vo for trim-down. The output voltage trim range is ±10%. This is shown in Figures 1 and 2:

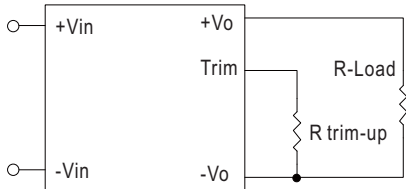


Figure 1. Trim-up Voltage Setup

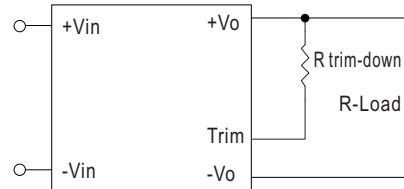


Figure 2. Trim-down Voltage Setup

**1. The value of Rtrim-up defined as:**

$$R_{trim-up} = \left( \frac{V_r \times R_1 \times (R_2 + R_3)}{(V_o - V_{o,nom}) \times R_2} \right) - R_t \text{ (K}\Omega\text{)}$$

Where

R<sub>trim-up</sub> is the external resistor in Kohm.

V<sub>o,nom</sub> is the nominal output voltage.

V<sub>o</sub> is the desired output voltage.

R<sub>1</sub>, R<sub>t</sub>, R<sub>2</sub>, R<sub>3</sub> and V<sub>r</sub> are internal to the unit and are defined in Table 1.

For example, to trim-up the output voltage of 5.0V module (SKM10A-05) by 10% to 5.5V, R trim-up is calculated as follows:

$$V_o - V_{o,nom} = 5.5 - 5.0 = 0.5V$$

$$R_1 = 2.32 \text{ K}\Omega$$

$$R_2 = 2.32 \text{ K}\Omega$$

$$R_3 = 0 \text{ K}\Omega$$

$$R_t = 8.2 \text{ K}\Omega$$

$$V_r = 2.5V$$

$$R_{trim-up} = \left( \frac{2.5 \times 2.32 \times (2.32+0)}{0.5 \times 2.32} \right) - 8.2 = 3.4 \text{ (K}\Omega\text{)}$$

**2. The value of Rtrim-down defined as:**

$$R_{trim-down} = R_1 \times \left( \frac{V_r \times R_1}{(V_{o,nom} - V_o) \times R_2} - 1 \right) - R_t \text{ (K}\Omega\text{)}$$

Where

R<sub>trim-down</sub> is the external resistor in Kohm.

V<sub>o,nom</sub> is the nominal output voltage.

V<sub>o</sub> is the desired output voltage.

R<sub>1</sub>, R<sub>t</sub>, R<sub>2</sub>, R<sub>3</sub> and V<sub>r</sub> are internal to the unit and are defined in Table 1.

For example, to trim-down the output voltage of 5.0V module (SKM10A-05) by 10% to 4.5V, R trim-down is calculated as follows:

$$V_{o,nom} - V_o = 5.0 - 4.5 = 0.5V$$

$$R_1 = 2.32 \text{ K}\Omega$$

$$R_2 = 2.32 \text{ K}\Omega$$

$$R_3 = 0 \text{ K}\Omega$$

$$R_t = 8.2 \text{ K}\Omega$$

$$V_r = 2.5V$$

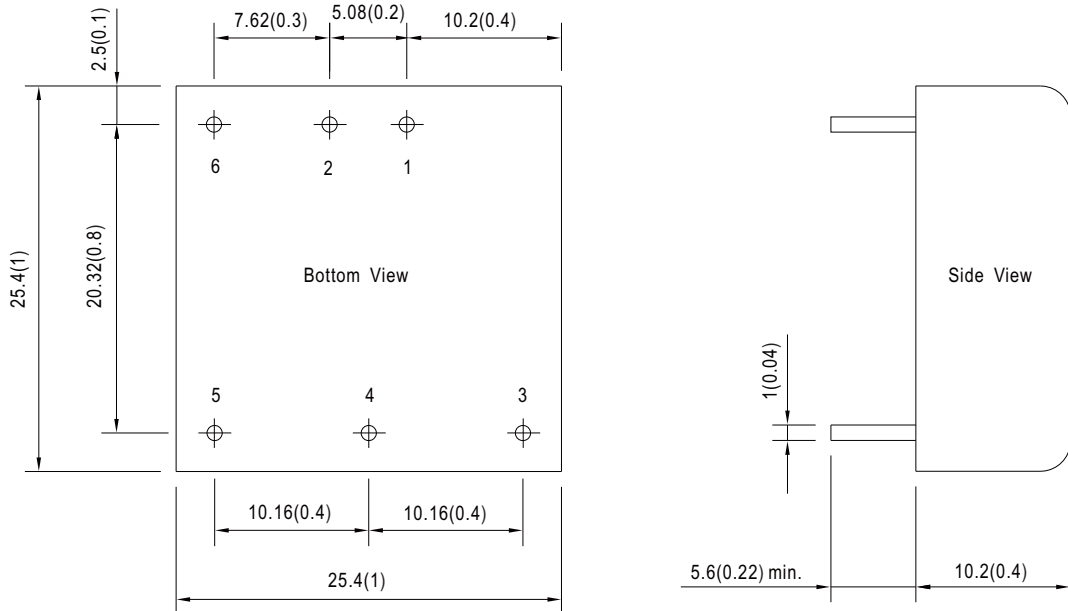
$$R_{trim-down} = 2.32 \times \left( \frac{2.5 \times 2.32}{0.5 \times 2.32} - 1 \right) - 8.2 = 1.08 \text{ (K}\Omega\text{)}$$

Table 1 – Trim up and Trim down Resistor Values

Model Number	Output Voltage(V)	R1 (KΩ)	R2 (KΩ)	R3 (KΩ)	Rt (KΩ)	Vr (V)
SKM10E-03 SKM10A-03 SKM10B-03 SKM10C-03	3.3	2.70	1.8	0.27	9.1	1.25
SKM10E-05 SKM10A-05 SKM10B-05 SKM10C-05	5	2.32	2.32	0	8.2	2.5
SKM10E-12 SKM10A-12 SKM10B-12 SKM10C-12	12	6.8	2.4	2.32	22	2.5
SKM10E-15 SKM10A-15 SKM10B-15 SKM10C-15	15	8.06	2.38	3.9	22	2.5

**Mechanical Specification**

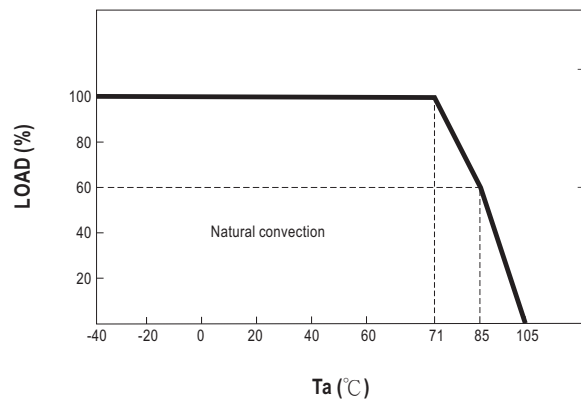
- All dimensions in mm (inch)
- Tolerance:  $x.x \pm 0.5\text{mm}$  ( $x.xx \pm 0.02"$ )
- Pin size is  $1 \pm 0.1\text{mm}$  ( $0.04" \pm 0.004"$ )



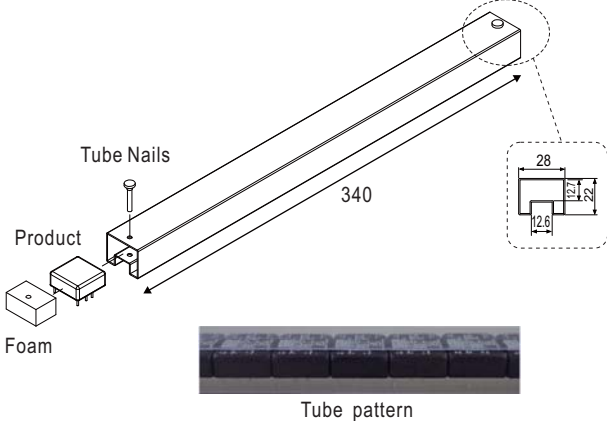
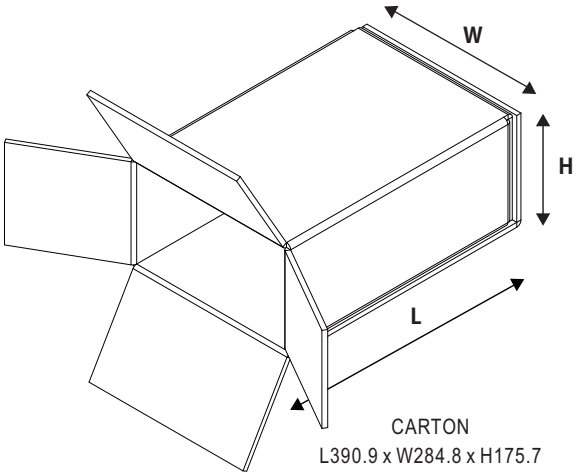
**Plug Assignment**

Pin-Out		
Pin No.	SKM10 (Single output)	DKM10 (Dual output)
1	+Vin	+Vin
2	-Vin	-Vin
3	+Vout	+Vout
4	Trim	Common
5	-Vout	-Vout
6	R.C.	R.C.

**Derating Curve**



**Packing**

Standard Tube Packing	MPQ Per Tube (PCS)	One Tube G.W.	Max. Q'TY/ Carton(PCS)	One Carton G.W.
<p>Unit : mm</p>   <p>CARTON L390.9 x W284.8 x H175.7</p>	12	255.6g	600	14.78Kg

**Installation Manual**

Please refer to : <http://www.meanwell.com/manual.html>