

CAB438RF: MMCX RIGHT ANGLE PLUG + ISOLATED TNC BULKHEAD JACK WITH O-RING RATED TO IP67/68 + RG178 CABLE, 6GHz

SPECIFICATIONS :

1. MMCX STRAIGHT PLUG, P/N: RFCT-MMCX003-M78.
2. RG178 COAXIAL CABLE, COLOR: BROWN.
3. ISOLATED TNC STRAIGHT BULKHEAD JACK WITH O-RING RATED TO IP67/68, P/N: RFCT-TNC016-F78.

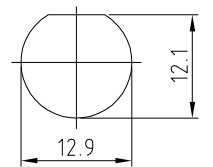
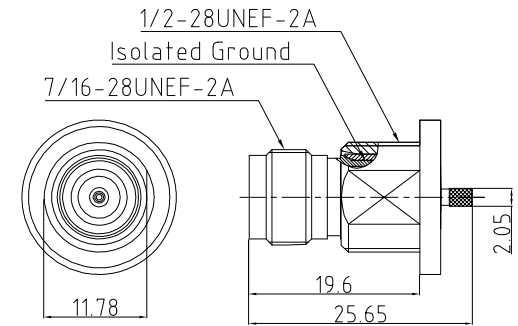
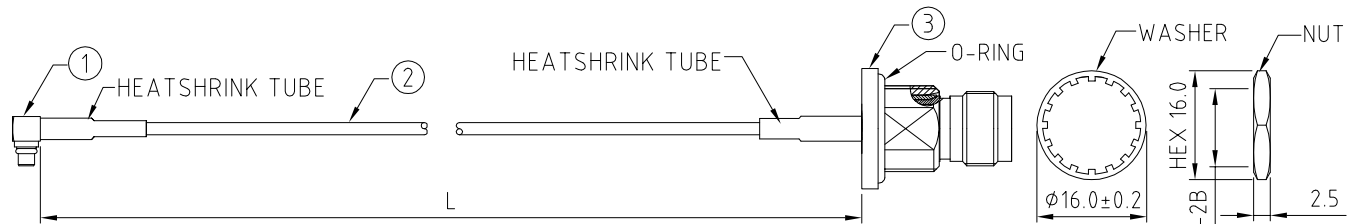
USAGE PRECAUTIONS: CABLES USING 'MICRO' COAX ARE DELICATE:
 (i) HANDLE WITH CARE.
 (ii) DO NOT TWIST; APPLY EXCESSIVE FORCES OR SHARP BENDS TO THE CABLE. DO NOT FORCEFULLY DEFORM WIRES.
 (iii) CONSULT CONNECTOR MANUFACTURER'S DATASHEETS FOR DETAILED NOTES ON HANDLING INSTRUCTIONS.

ENVIRONMENTAL:

- A. BULKHEAD MOUNTED CONNECTOR (RFCT-TNC016-F78) RATED TO THE FOLLOWING SPECIFICATION:
- i. IP6X - DUST TIGHT - NO PARTICLE INGRESS.
 - ii. IPX7 WATERPROOF FOR 30 MINUTES UP TO 1 METER UNDERWATER.
 - iii. IPX8 WATERPROOF FOR 48 HOURS AT 1 METER UNDERWATER.

NOTES:

1. THE ORIENTATION OF CONNECTORS ON DRAWING IS FOR REFERENCE ONLY, IF THE ORDER IS LEFT BLANK THE CONNECTOR WILL NOT HAVE FIXED ORIENTATION.
2. FIXED ORIENTATION IS SUGGESTED FOR CABLE LENGTH 50MM TO 100MM. PLEASE SPECIFY THE FIXED ORIENTATIONS FROM THE ORDER CODE (F1, F2, ETC)
3. CONTACT GRADCONN IF THE ORIENTATION YOU REQUIRE IS NOT SHOWN.
4. WORKING FREQUENCY RANGE: DC-6GHz.
5. OPERATING TEMPERATURE: -40°C~+125°C.
6. IMPEDANCE: 50 Ohm.



RECOMMENDED MOUNTING HOLE
 MAX. PANEL THICKNESS: 4MM
 TOLERANCE: ±0.1

HOW TO ORDER

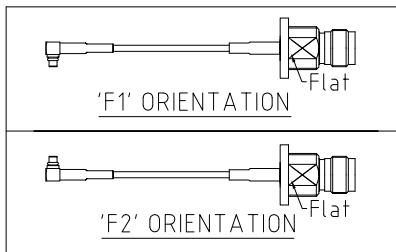
CAB438RF - X X X X - X X - X - 1

"L" LENGTH IN MM:
 eg: 100MM = 0100
 (MIN. 0050-MAX.0400)
 STANDARD = 0100, 0150, 0200)
 TOLERANCE: 50-200mm: ±5mm.
 201-400mm: ±7mm.

CABLE SIZE:
 1 = RG178 CABLE, COLOR: BROWN

WASHER AND NUT OPTIONS:
 BLANK = SEPARATELY PACKED (STANDARD)
 A = ASSEMBLED WITH CONNECTOR

ORIENTATION OPTIONS:
 BLANK = DOES NOT HAVE A FIXED ORIENTATION
 F1 = MMCX CONNECTION DOWN (L=50-200MM)
 F2 = MMCX CONNECTION UP (L=50-200MM)
 (SEE NOTES 1, 2, 3 AND DIAGRAMS FOR MORE INFORMATION)



REV. DATE & DRN
 TO: 17/09/20 - NYW RELEASE
 11/16/11/20 - NYW
 UPDATE TNC DRAWING.

Scale: NTS	THIRD ANGLE	Unstated X XX XXX ANGLES	Tolerances: N/A N/A N/A N/A
Drawn: NYW			
App'd: XXX	Title CABLE ASSEMBLY		
Date: 16 NOV. '20	Revision: 1.1	Unit: mm	



IP67/68 Rated Cables

www.gradconn.com

THIS DRAWING IS CONFIDENTIAL AND MUST NOT BE COPIED OR DISCLOSED WITHOUT WRITTEN CONSENT

Drawing Number: CAB438RF	
Sheet 1	of 1
Drawing	E and O E