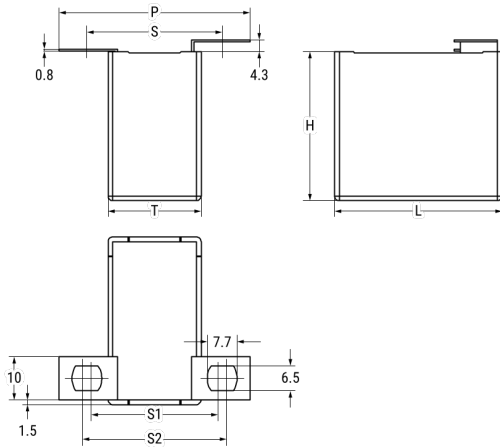


## C4BSMBX4100ZEFJ

C4BS, Film, Metallized Polypropylene, Power, 1 uF, 5%, 550 VAC, 850 VDC, 70°C, Lead Spacing = 33mm



Click [here](#) for the 3D model.

### Dimensions

L	41.5mm +1.5/-0.7mm
H	40mm +0.2/-0.7mm
T	20mm +0.4/-0.7mm
S	33mm +/-0.2mm
S1	31mm +/-0.2mm
S2	35mm +/-0.2mm
P	46mm NOM

### Packaging Specifications

Packaging	Bulk, Bag
Packaging Quantity	48

### General Information

Series	C4BS
Dielectric	Metallized Polypropylene
Style	Radial
Features	IGBT Circuit
RoHS	Yes
Lead	Flat Tabs
AEC-Q200	No
Component Weight	58.33 g
Miscellaneous	KEMET Style E Tabs.

### Specifications

Capacitance	1 uF
Capacitance Tolerance	5%
Voltage AC	550 VAC
Voltage DC	850 VDC
Temperature Range	-40/+85°C
Rated Temperature	70°C
Max dV/dt	758 V/us
Resistance	4 mOhms (100kHz)
Ripple Current	22 Amps (100kHz 70C), 758 Amps (Peak)
Inductance	41 nH