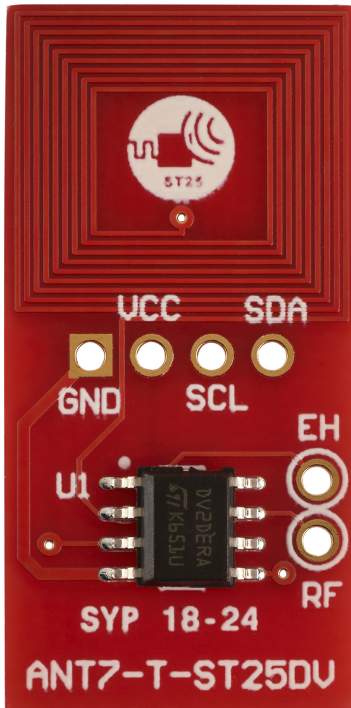


Reference board for the ST25DV04K dynamic NFC tag with 14 mm x 14 mm antenna, for Zhaga Consortium Book 25 certification



Features

- Ready to use printed circuit board including:
 - ST25DV04K dual interface EEPROM
 - 14 mm x 14 mm, 13.56 MHz dual layer etched antenna
 - I2C test points
 - RF event configurable general purpose output (GPO)
 - Analog energy harvesting (EH) output
- Reference board for the Zhaga Consortium Book 25 certification

Description

The **ANT7-T-ST25DV04K** board is the reference programmable device required for NFC reader certification, according to Book 25 of Zhaga Consortium.

The antenna reference board is a ready-to-use PCB, featuring an ST25DV04K dual interface EEPROM connected to a 14 mm x 14 mm, 13.56 MHz etched RF double layer antenna on one side, and to an I2C bus on the other side. This demonstration board allows system designers to evaluate the ST25DV04K performance and capabilities, and to get started with their design.

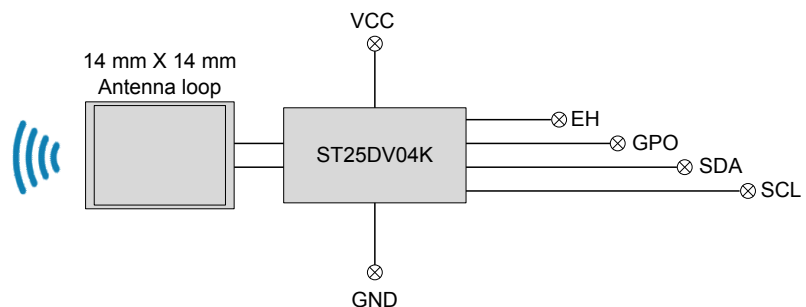
To demonstrate the energy harvesting function, the **ANT7-T-ST25DV04K** can be used together with the ST DEMO-CR95HF-A board.

The board design and the Gerber files can be downloaded from www.st.com.

If externally powered, supply must be safety extra-low voltage (SELV) according to EN60950-1 (< 5 V, < 15 W). The power supply must be classified ES1 (electrical energy source class 1), PS1 (electrical power source class 1) according to EN62368-1.

Reference	Order code
ANT7-T-ST25DV04K	ST25DV04KIER6S3

Figure 1. Functional block diagram



Ordering information

To order the **ANT7-T-ST25DV04K** board, contact your ST sales office, or write to st25delivery@st.com.

Revision history

Table 1. Document revision history

Date	Version	Changes
10-Jul-2018	1	Initial release.
27-Sep-2018	2	Updated Features and Description .
08-Jul-2022	3	Updated document title, Features and Description . Added Ordering information .



Contents

Revision history	2
List of tables	4
List of figures.....	5



List of tables

Table 1. Document revision history 2

List of figures

Figure 1. Functional block diagram 1

IMPORTANT NOTICE – READ CAREFULLY

STMicroelectronics NV and its subsidiaries (“ST”) reserve the right to make changes, corrections, enhancements, modifications, and improvements to ST products and/or to this document at any time without notice. Purchasers should obtain the latest relevant information on ST products before placing orders. ST products are sold pursuant to ST’s terms and conditions of sale in place at the time of order acknowledgment.

Purchasers are solely responsible for the choice, selection, and use of ST products and ST assumes no liability for application assistance or the design of purchasers’ products.

No license, express or implied, to any intellectual property right is granted by ST herein.

Resale of ST products with provisions different from the information set forth herein shall void any warranty granted by ST for such product.

ST and the ST logo are trademarks of ST. For additional information about ST trademarks, refer to www.st.com/trademarks. All other product or service names are the property of their respective owners.

Information in this document supersedes and replaces information previously supplied in any prior versions of this document.

© 2022 STMicroelectronics – All rights reserved