

1

2

3

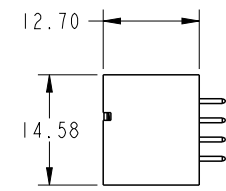
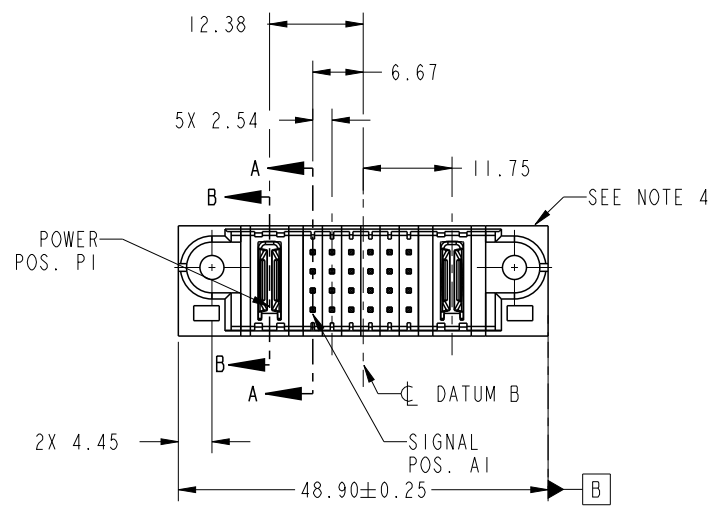
4

PRODUCT NO.	ROWS	POW		SIGNAL						POW			
		E1	P1	1	2	3	4	5	6	P2	E2		
51952-222-- NOTE ③	D C B A			E	E	E	E	E	E	E	E		

A

B

C



A

B

C

CODE	DIM "M" MATING LENGTH	CONTACT TYPE
PA	[N/A]	POWER
E	[6.86]	SIGNAL
H	[5.59]	SIGNAL



Copyright FCI.

D

spec ref	See Notes		dr	Luo Weller	2012/07/23	projection 	MM 	size	A4	scale	1:1				
tolerance std	TOLERANCES UNLESS OTHERWISE SPECIFIED		eng	X Q Wang	2012/08/22			ecn no	-						
See Notes			chr	-	-			rel level	Released						
surface	✓	linear	0.X	±0.50	FCI www.fci.com	product family	PwrBlade	rel level	Released	title	IP + 24S + IP VERTICAL SOLDER HEADER	dwg no	51952-222	rev	A
		0.XX	±0.25												
		0.XXX	±0.10												
	angular	0°	±2°	cat. no.	&model_name	Product - Customer Drw	sheet 1 of 4								

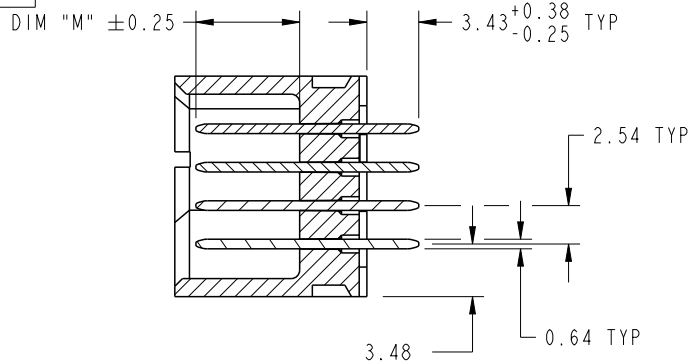
PrdE File - REV C - 2009-06-09

2

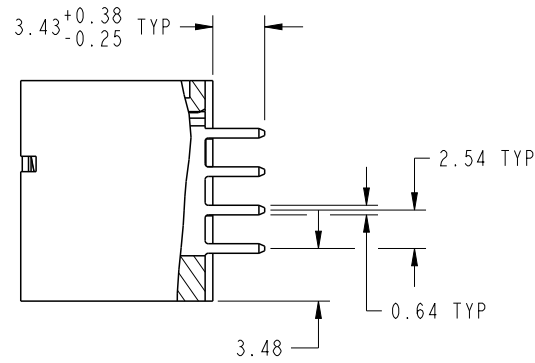
3

4

PRODUCT NUMBER
51952-222--
NOTE 3



SECTION A-A
SCALE 2:1



SECTION B-B
SCALE 2:1

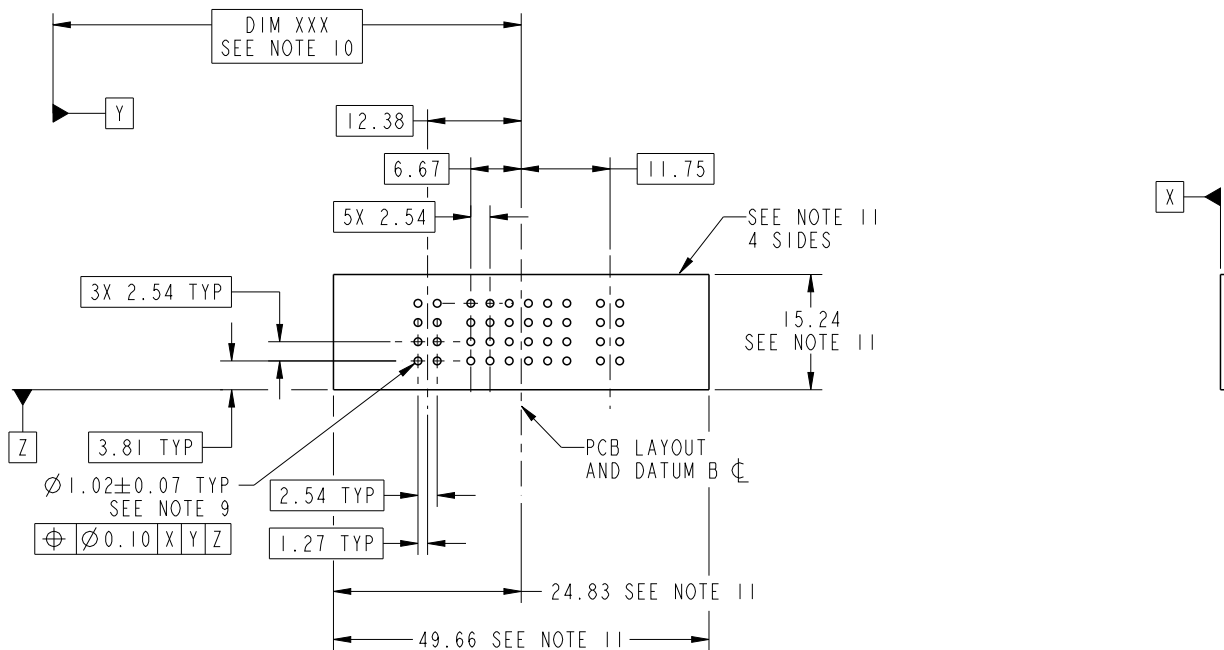


Copyright FCI.

dr	Luo Weller	2012/07/23	projection 	MM 	size	A4	scale	1:1		
eng	X Q Wang	2012/08/22			ecn no	-				
chr	-	-			rel level	Released				
appr	Pei-Ming Zheng	2012/08/23	product family	PwrBlade						
		title			IP + 24S + IP	dwg no		51952-222	rev	A
www.fci.com		cat. no.	&model_name	Product - Customer Drw			sheet 2 of 4			

PRODUCT NUMBER

51952-222--
NOTE 3



RECOMMENDED PCB LAYOUT

dr	Luo Weller	2012/07/23	projection 	MM 	size	A4	scale	1:1	
eng	X Q Wang	2012/08/22			ecn no	-			
chr	-	-			rel level	Released			
appr	Pei-Ming Zheng	2012/08/23	product family	PwrBlade					
	title	IP + 24S + IP VERTICAL SOLDER HEADER			dwg no	51952-222		rev	A
www.fci.com	cat. no.	&model_name	Product - Customer Drw		sheet 3 of 4				

PRODUCT NUMBER

51952-222__
NOTE 3

NOTES:

1. DIMENSIONS AND TOLERANCES ARE IN ACCORDANCE WITH ASME Y14.5M, 1994 UNLESS OTHERWISE SPECIFIED.

CONNECTOR NOTES:

- ② HOUSING MATERIAL: UL 94 V-0 GLASS FILLED HIGH-TEMP THERMOPLASTIC
POWER CONTACT MATERIAL: COPPER ALLOY
SIGNAL PIN MATERIAL: COPPER ALLOY
 - 3. SEE ITEM 1 & 2 IN PRINT 10064183 FOR PLATING SPEC OF 51952-222 AND 51952-222LF RESPECTIVELY.
 - ④ MANUFACTURER'S NAME, DATE CODE AND OPTIONAL P/N TO APPEAR ON THIS SURFACE. THE P/N CAN BE OMITTED IF THERE IS NOT ENOUGH SPACE ON THIS SURFACE.
 - 5. PRODUCT SPECIFICATION GS-12-149.
APPLICATION SPECIFICATION BUS-20-067.
 - 6. PACKAGED IN TRAYS.
- PCB NOTES:
- 7. ALL HOLE DIAMETERS ARE FINISHED HOLE SIZE.
 - 8. MOUNTING HOLES, WHERE APPLICABLE, ARE UNPLATED.
 - ⑨ $\varnothing 1.151 \pm 0.025$ DRILLED HOLES PLATED WITH 0.008 MIN SnPb OR Sn OVER .001 [0.03] TO 0.08 Cu PLATING TO ACHIEVE $\varnothing 1.02 \pm 0.07$ HOLE.
 - ⑩ "DIM XXX" TO BE DETERMINED BY THE CUSTOMER.
 - ⑪ CONNECTOR KEEP-OUT ZONE.



Copyright FCI.

dr	Luo Weller	2012/07/23	projection 	MM 	size	A4	scale	1:1			
eng	X Q Wang	2012/08/22			ecn no	-					
chr	-	-			product family	PwrBlade	rel level	Released			
appr	Pei-Ming Zheng	2012/08/23			title	IP + 24S + IP		dwg no	51952-222	rev	A
www.fci.com		cat. no.	&model_name	Product - Customer Drw			sheet 4 of 4				