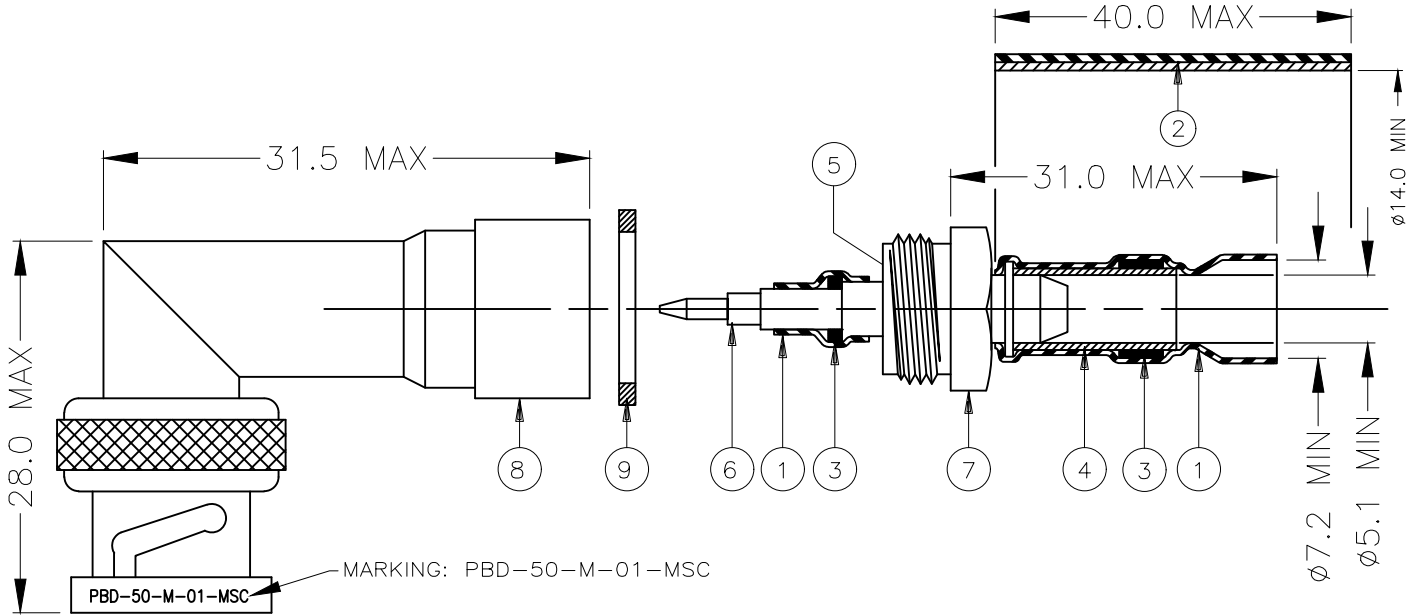


REVISIONS					
P	LTR	DESCRIPTION	DATE	DWN	APVD
1		REVISED AS PER ECO-20-XXXXXX.	11MAR2020	TC	NP

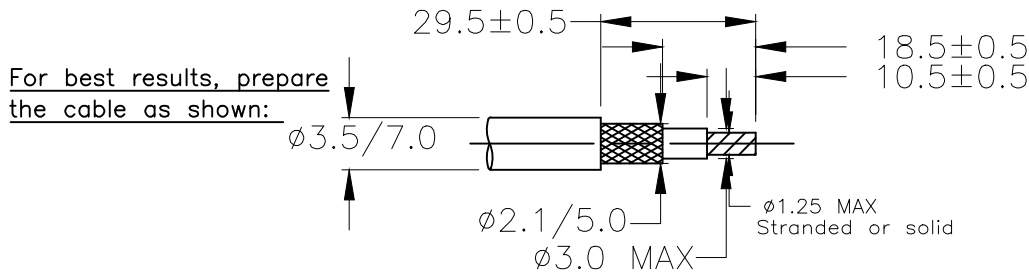


MATERIALS:

1. Insulation Sleeve: Heat-shrinkable, transparent blue, radiation cross-linked modified polyvinylidene fluoride.
2. Insulation Sleeve: Heat-shrinkable, radiation cross-linked modified polyolefin with adhesive. Color: black.
3. Solder Preform with Flux: Sn62Ag2Pb36 solder per ANSI-J-STD-006. ROL0 flux per ANSI-J-STD-004.
4. Shield: Tin plated, flux coated copper braid. Flux: ROM1 per ANSI-STD-004.
5. Insulator: PTFE
6. Center Contact: Gold plated brass (male).
7. Threaded Transition Part: Silver plated brass.
8. Marked Body: Nickel plated brass.
9. O-Ring: Silicon.

APPLICATION:

1. This controlled soldering device is designed to connect, with a MIL-C-39012C BNC intermatable part, a 50Ω single or double braided coaxial cable having a:
 - Tin or silver plated copper outer conductor.
 - Tin or silver plated inner conductor.
 and insulation rated for at least +85°C.
2. Temperature range: -55°C to 135°C.
3. For installation procedure and application equipment, consult either RPIP-683-00 or RPIP-683-00-D.



© 2020 TE Connectivity. All Rights Reserved.

DIMENSIONS: mm	DWN	11MAR2020	MATERIAL	-	FINISH	-
	CHK	11MAR2020	TE Connectivity PLUGPAK CONNECTOR 50 OHM BNC			
TOLERANCES UNLESS OTHERWISE SPECIFIED:	APVD	11MAR2020				
0 PLC ± -	PRODUCT SPEC	-				
1 PLC ± -	APPLICATION SPEC	-				
2 PLC ± -	NAME	PLUGPAK CONNECTOR				
3 PLC ± -	SIZE	A4	CAGE CODE	06090	DRAWING NO	C-PBD-50-M-01-MSC
4 PLC ± -	WEIGHT	-	RESTRICTED TO			-
ANGLES ± -	CUSTOMER DRAWING		SCALE	DNS	SHEET	1 OF 1
		REV		1		