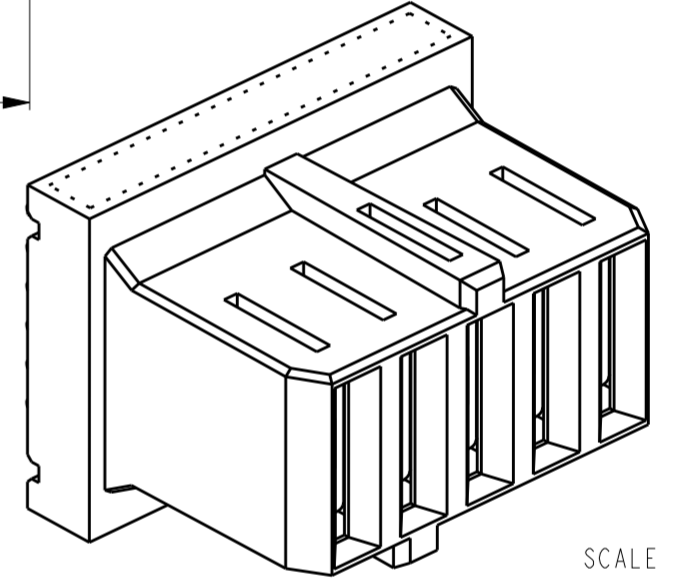
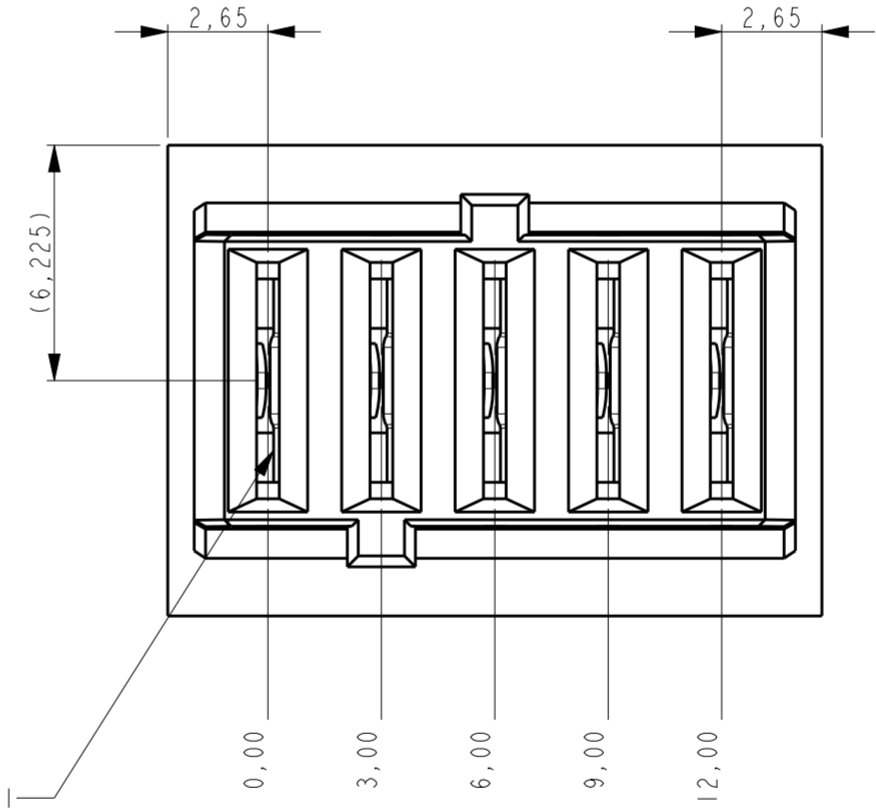
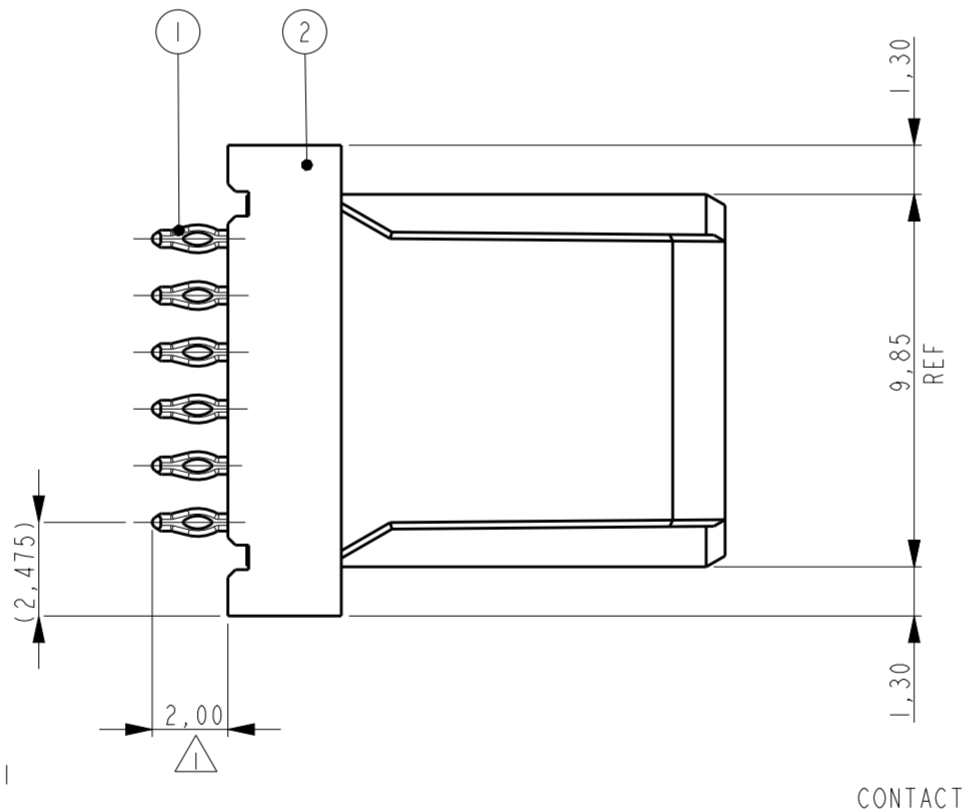
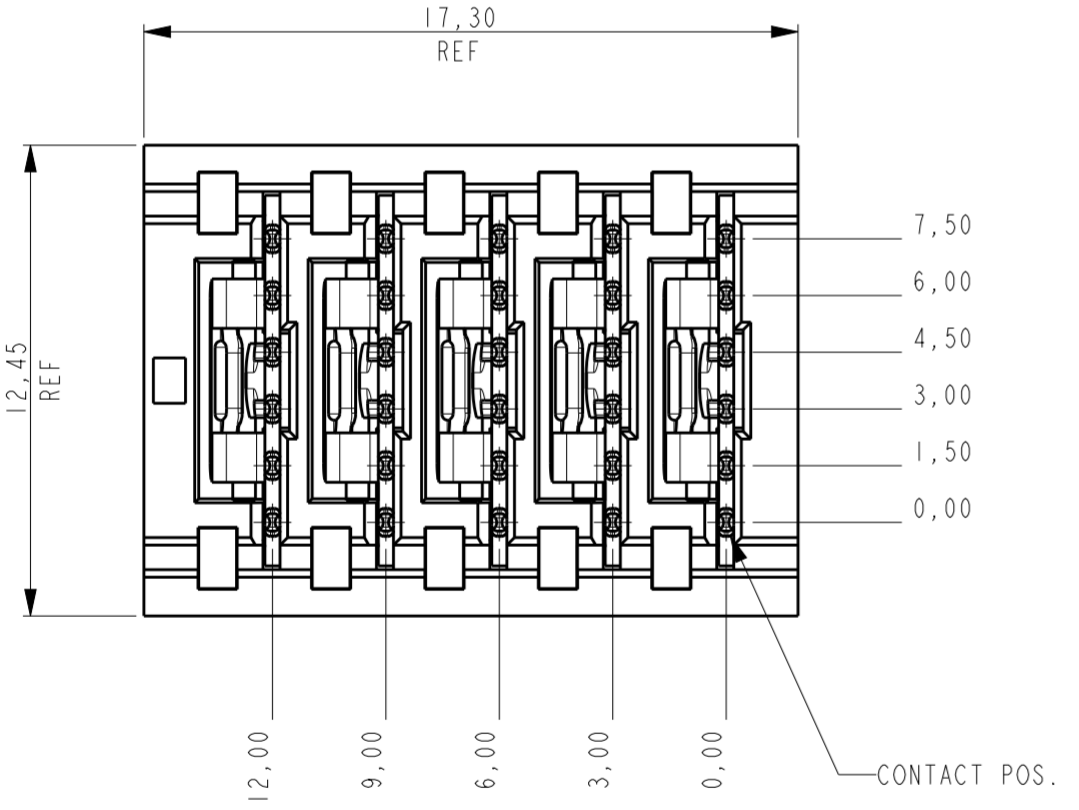
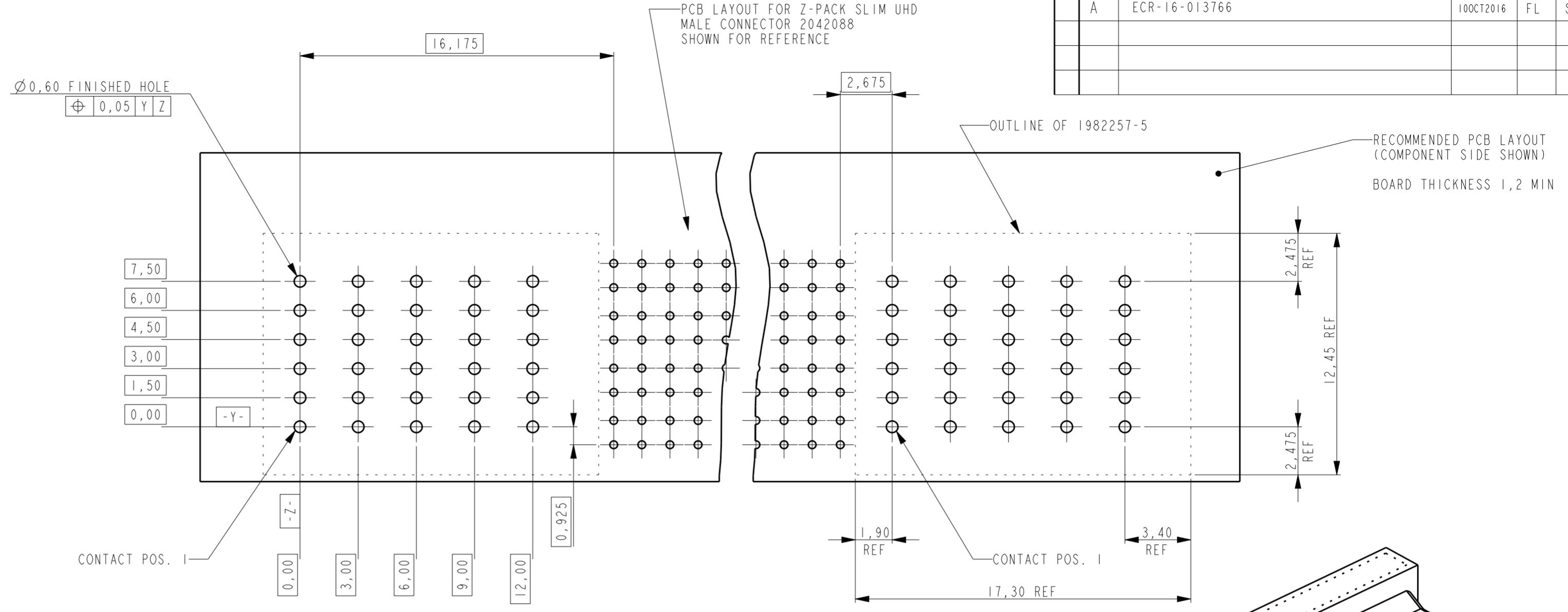
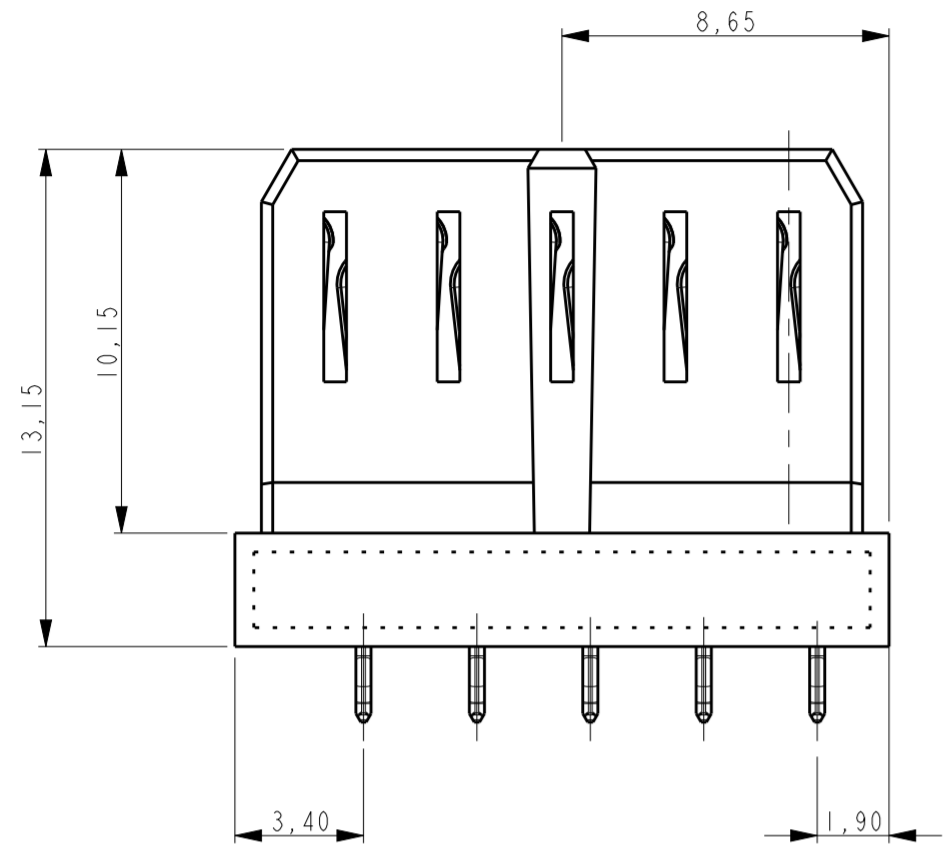
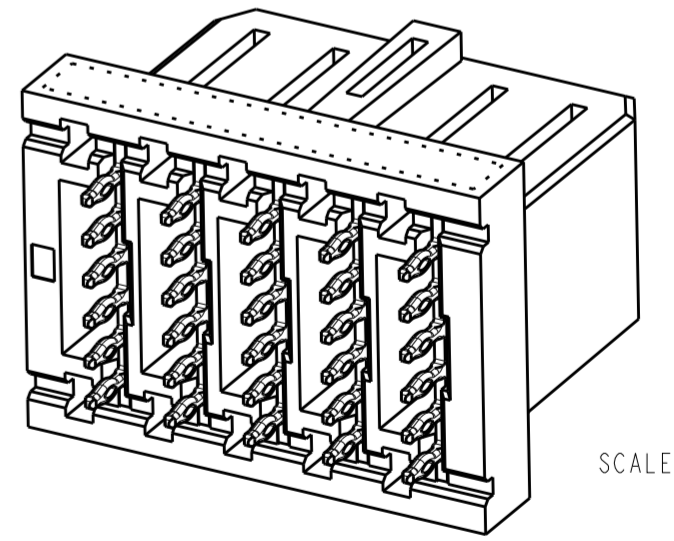


THIS DRAWING IS UNPUBLISHED. RELEASED FOR PUBLICATION
 © COPYRIGHT - BY TYCO ELECTRONICS CORPORATION. ALL RIGHTS RESERVED.

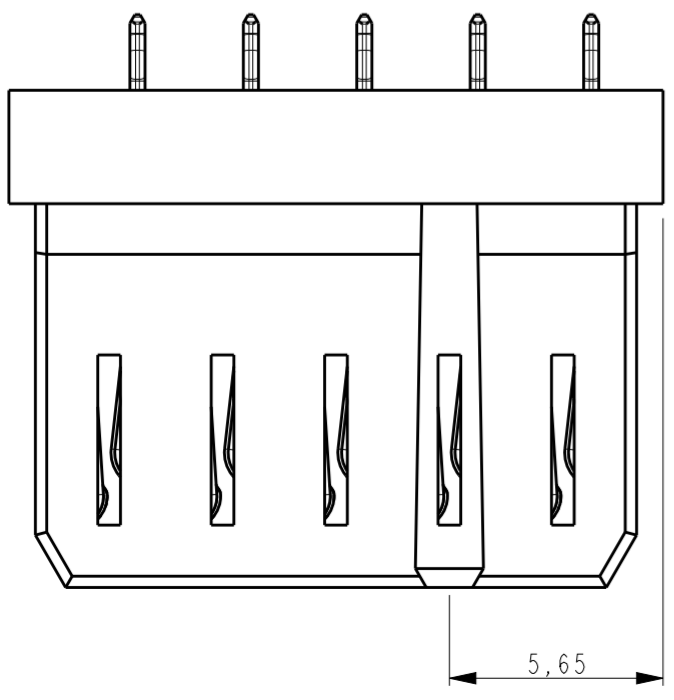
| LOC | | DIST | | REVISIONS | | | |
|-----|-----|---------------|-----------|-----------|------|--|--|
| P | LTR | DESCRIPTION | DATE | DWN | APVD | | |
| A | | ECR-16-013766 | 10OCT2016 | FL | SY | | |



SCALE 4:1



SCALE 4:1



NOTES:
 1 PLATING: 0,5µm MIN. TIN OVER NICKEL.
 2 PLATING IN CONTACT AREA
 1,27 µm MIN. Au OVER 1,27µm MIN. Ni

THIS DRAWING IS A CONTROLLED DOCUMENT FOR TYCO ELECTRONICS CORPORATION
 IT IS SUBJECT TO CHANGE AND THE CONTROLLING ENGINEERING ORGANIZATION
 SHOULD BE CONTACTED FOR THE LATEST REVISION.

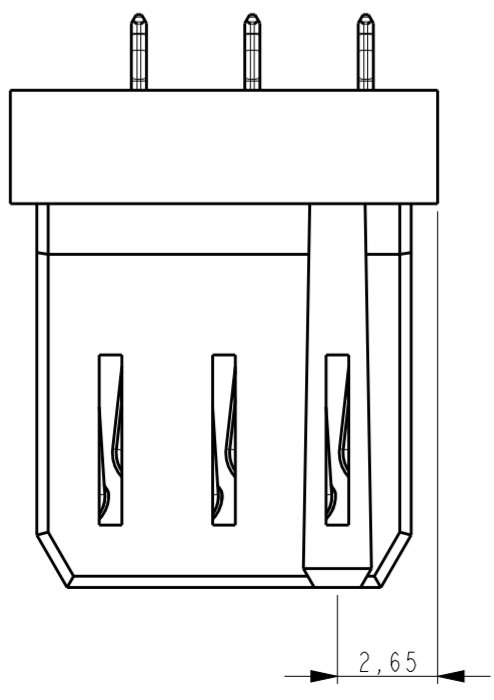
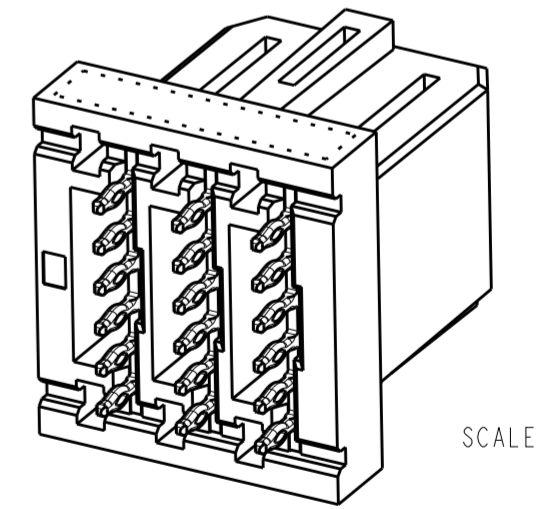
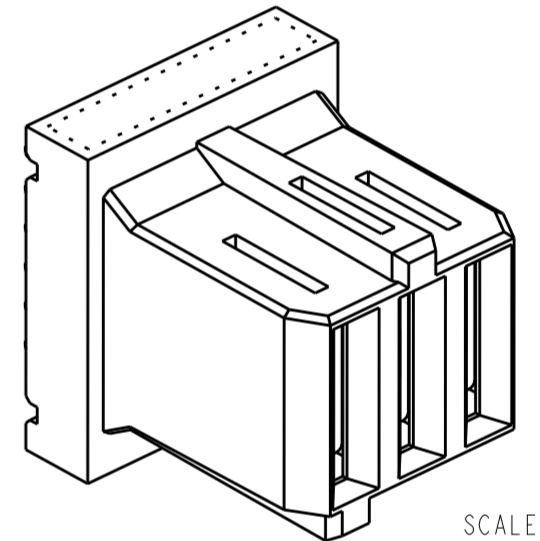
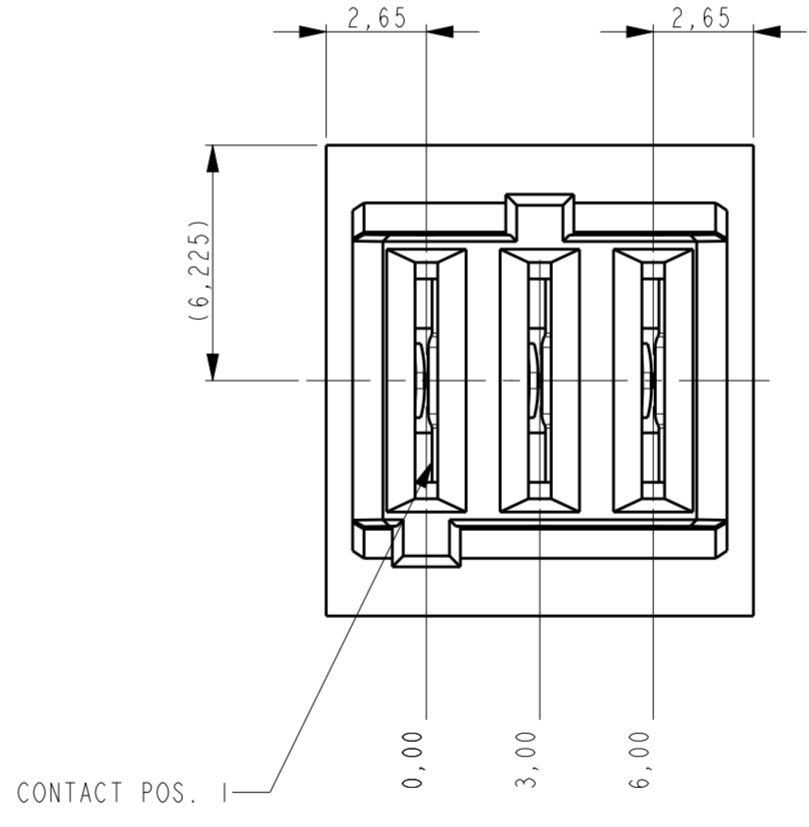
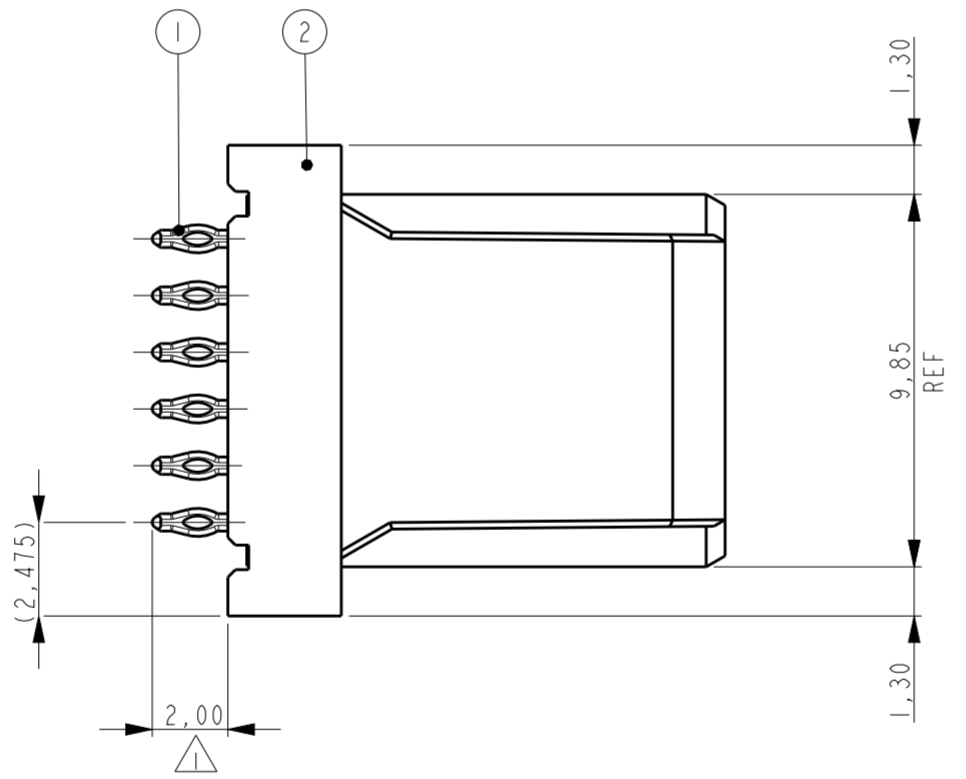
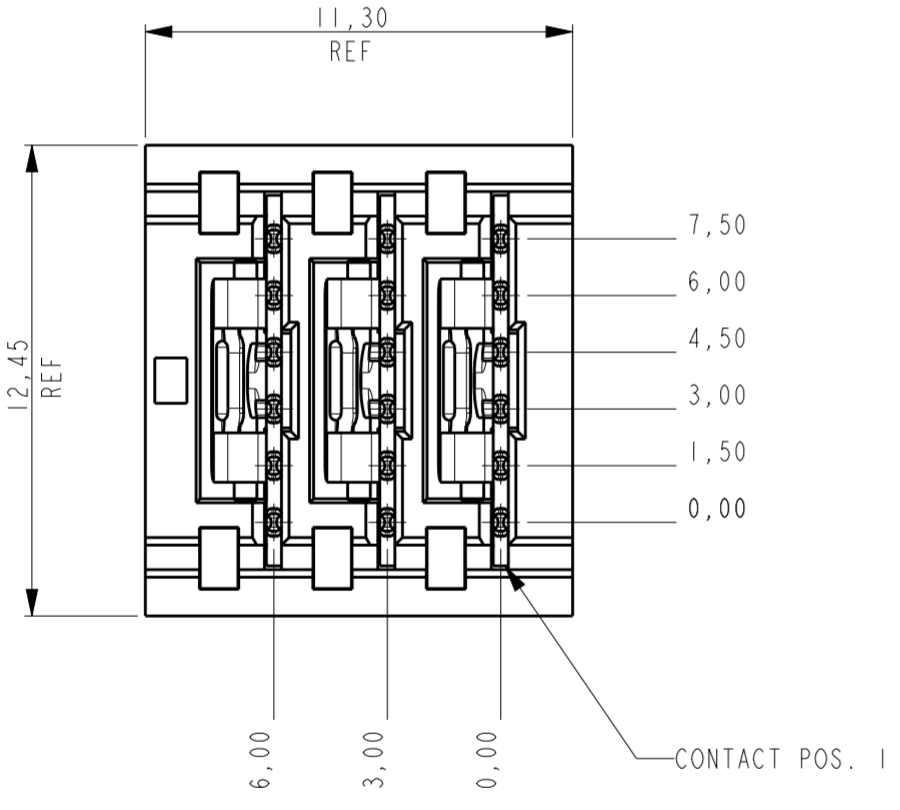
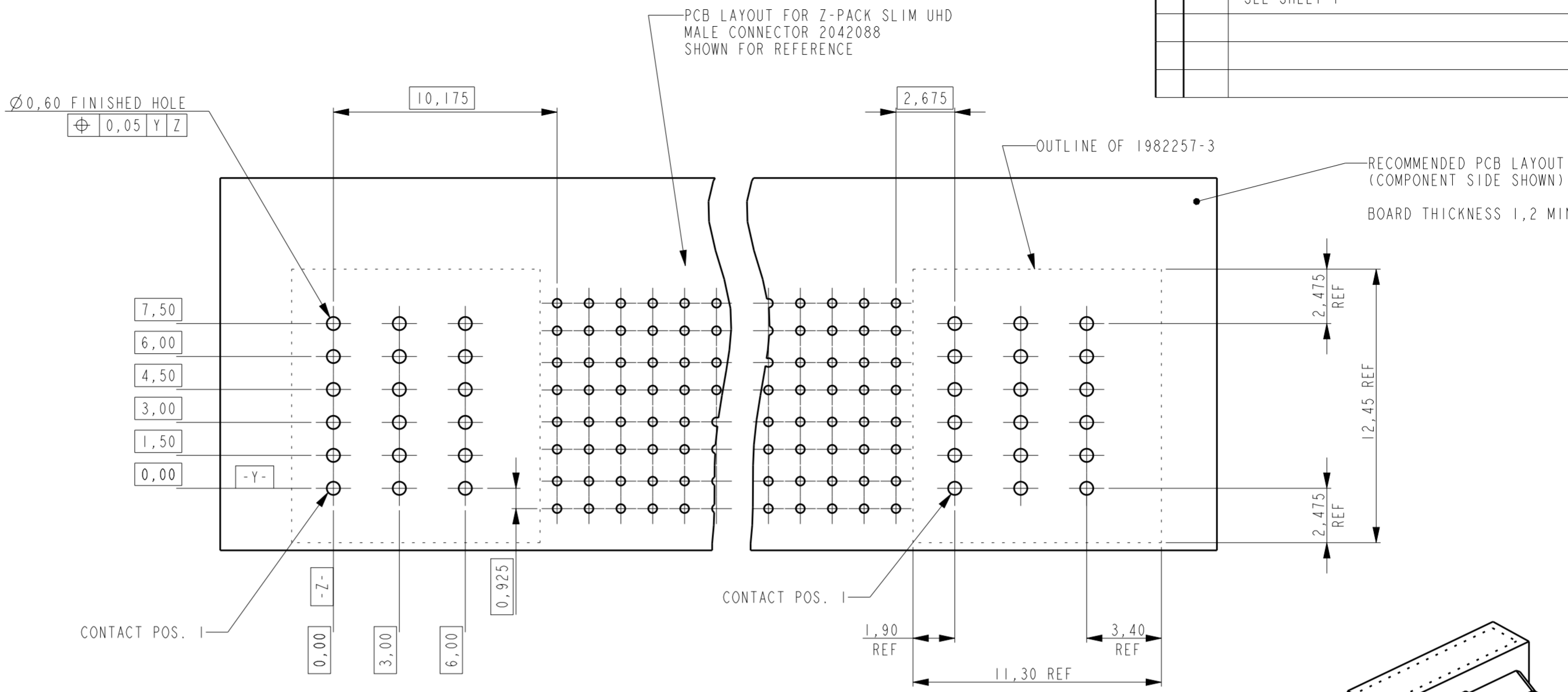
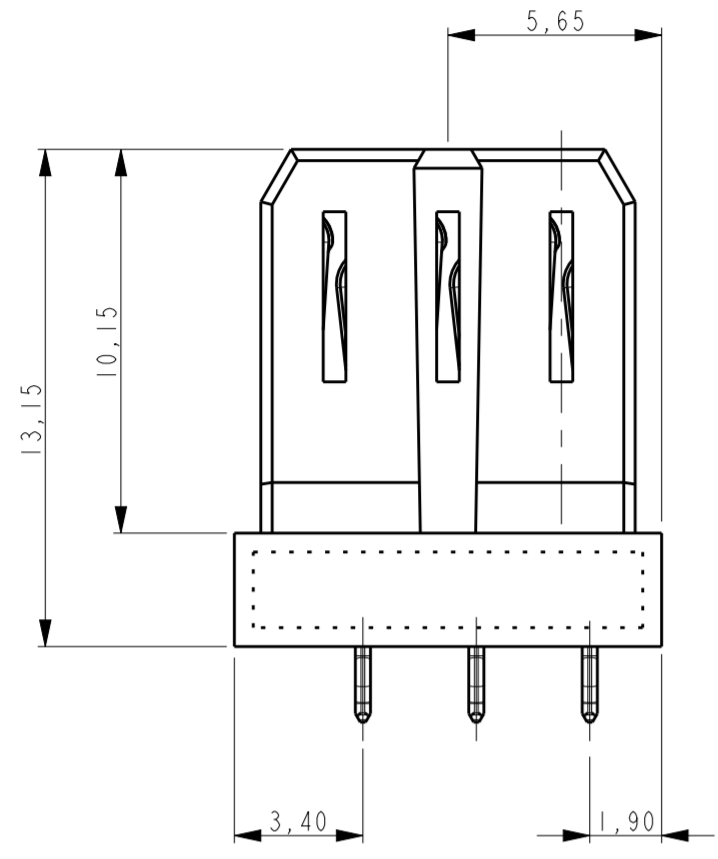
| | |
|-------------|--|
| DIMENSIONS: | TOLERANCES UNLESS OTHERWISE SPECIFIED: |
| mm | 0 PLC ± |
| | 1 PLC ±0,1 |
| | 2 PLC ±0,05 |
| | 3 PLC ±0,025 |
| | 4 PLC ± |
| | ANGLES ±2° |
| MATERIAL | FINISH |

| | | |
|------------------|----------------|-----------|
| DWN | J. VOS | 28-MAY-08 |
| CHK | R. DAAMEN | 28-MAY-08 |
| APVD | R. V. D. SANDT | - |
| PRODUCT SPEC | 108-19367 | |
| APPLICATION SPEC | 114-19122 | |
| WEIGHT | - | |
| CUSTOMER DRAWING | | |

| | | |
|---|--------------------|--------------------|
| 2 | RECEPTACLE HOUSING | LCP 30% GF NATURAL |
| 1 | RECEPTACLE CONTACT | COPPER ALLOY |
| ITEM NO. | DESCRIPTION | MATERIAL |
| Tyco Electronics Corporation 's-Hertogenbosch, Nederland | | |
| NAME | | |
| RECEPTACLE ASSEMBLY VERTICAL Z-PACK SLIM UHD POWER | | |
| SIZE | CAGE CODE | DRAWING NO |
| A2 | 00779 | C-1982257 |
| RESTRICTED TO | | |
| - | | |
| SCALE | SHEET | REV |
| 5:1 | 1 OF 2 | A |

THIS DRAWING IS UNPUBLISHED. RELEASED FOR PUBLICATION
 © COPYRIGHT - BY TYCO ELECTRONICS CORPORATION. ALL RIGHTS RESERVED.

| LOC | DIST | REVISIONS | | | | | |
|-----|------|-----------|-----|-------------|------|-----|------|
| H | - | P | LTR | DESCRIPTION | DATE | DWN | APVD |
| | | - | | SEE SHEET 1 | | | |



NOTES:
 1 PLATING: 0,5µm MIN. TIN OVER NICKEL.
 2 PLATING IN CONTACT AREA
 1,27 µm MIN. Au OVER 1,27µm MIN. Ni

1982257-3 AS SHOWN

| 2 | RECEPTACLE HOUSING | LCP 30% GF NATURAL |
|--|--------------------|--------------------|
| 1 | RECEPTACLE CONTACT | COPPER ALLOY |
| ITEM NO. | DESCRIPTION | MATERIAL |
| Tyco Electronics Corporation 's-Hertogenbosch, Nederland | | |
| NAME: RECEPTACLE ASSEMBLY VERTICAL Z-PACK SLIM UHD POWER | | |
| SIZE | CAGE CODE | DRAWING NO |
| A2 | 00779 | C-1982257 |
| RESTRICTED TO | | |
| CUSTOMER DRAWING | | |
| SCALE | SHEET | REV |
| 1:1 | 2 OF 2 | A |

| | | |
|--|---|---|
| THIS DRAWING IS A CONTROLLED DOCUMENT FOR TYCO ELECTRONICS CORPORATION IT IS SUBJECT TO CHANGE AND THE CONTROLLING ENGINEERING ORGANIZATION SHOULD BE CONTACTED FOR THE LATEST REVISION. | | DWN: J.VOS 28-MAY-08 CHK: R.DAAMEN 28-MAY-08 APVD: R.VD.SANDT PRODUCT SPEC: 108-19367 APPLICATION SPEC: 114-19122 WEIGHT: - MATERIAL: - |
| DIMENSIONS: | TOLERANCES UNLESS OTHERWISE SPECIFIED: | |
| mm | 0 PLC ± 1 PLC ±0,1 2 PLC ±0,05 3 PLC ±0,025 4 PLC ± ANGLES ±2° FINISH | |