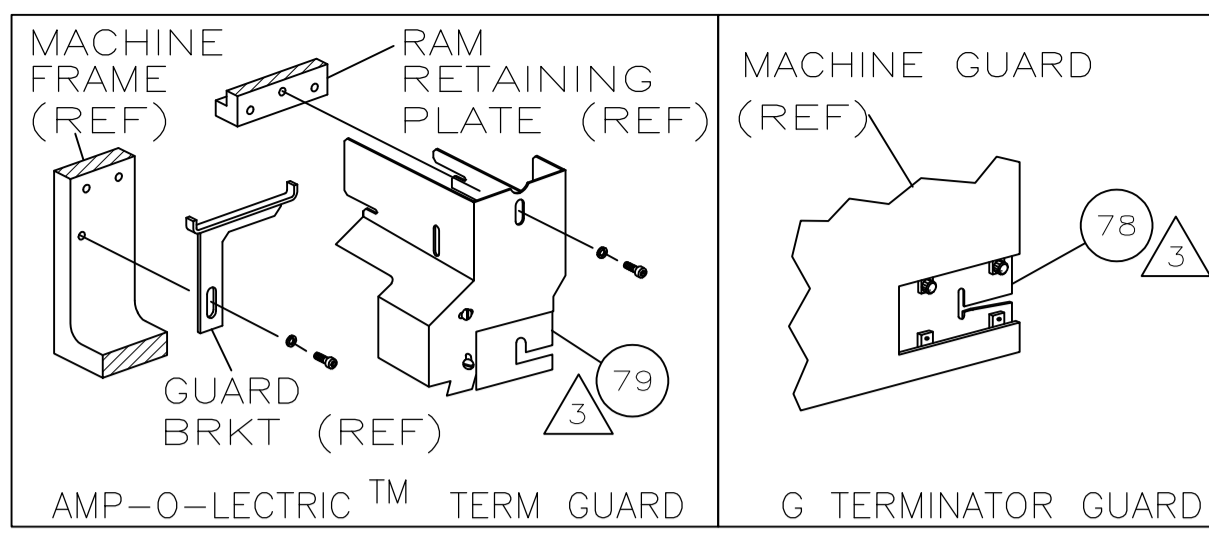


THIS DRAWING IS UNPUBLISHED. RELEASED FOR PUBLICATION. BY TYCO ELECTRONICS CORPORATION. ALL INTERNATIONAL RIGHTS RESERVED.

PART NUMBER	REV	FIRST USED
1852010-1	B	122500-1
1852010-2	B	565435-5
1852010-3	B	354500-1

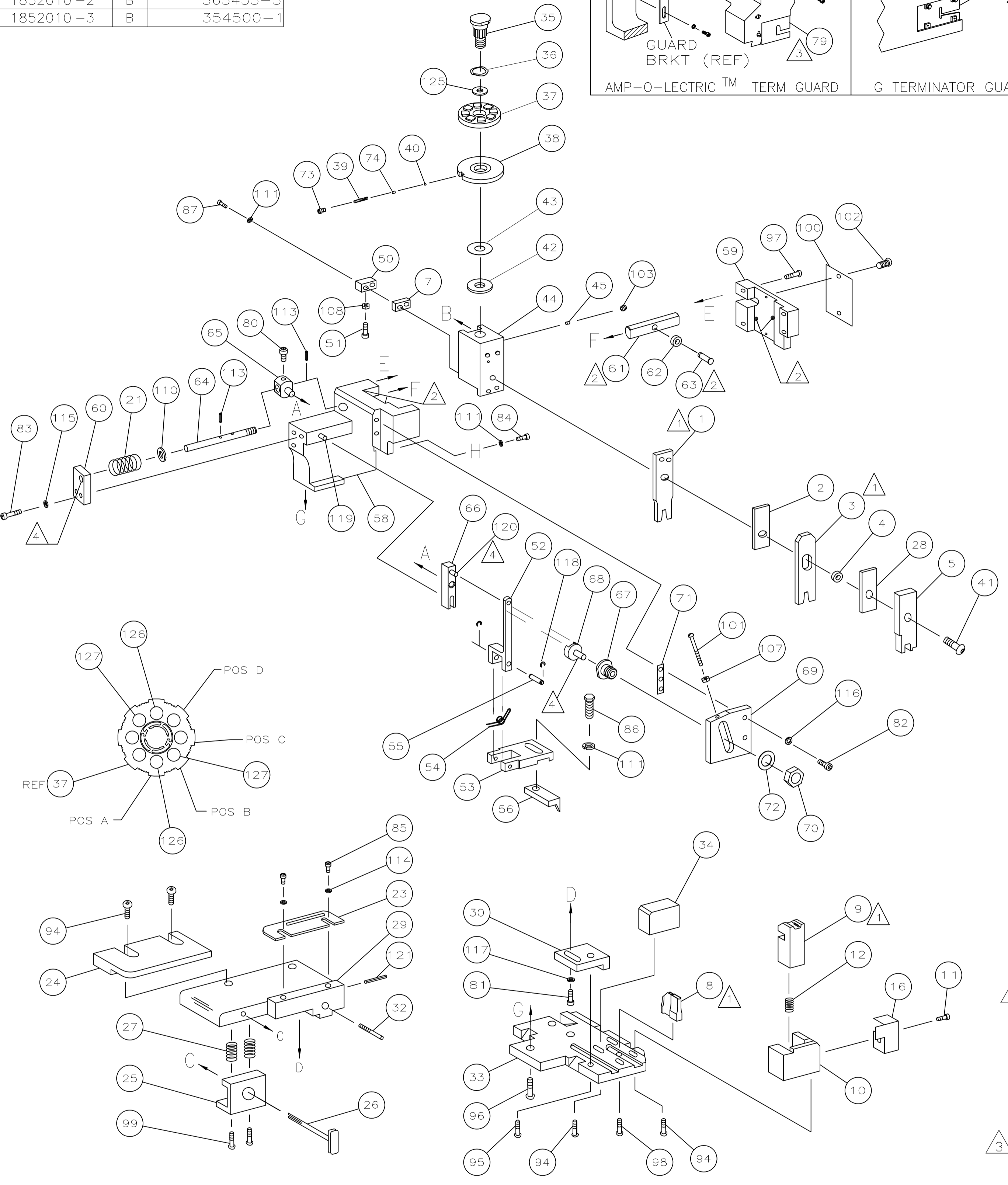


TERMINAL NAME: TERMINAL

AMP TERM PN	MFR TERM PN	AMPHENOL TERMINAL	AMP CRIMP SPECS		
1572677-1	TNO201600022	CRIMP HEIGHT	WIRE SIZE		
1572677-2	TNO201600021				
		CRIMP	SIZE	TYPE	RANGE
		WIRE	.090 [2.29mm]	F	18-16
		INSUL	.120 [3.05mm]	0	-
WIRE STRIP LENGTH	TERM APPL SPEC	FEED	APPL INSTRUCTION	SET UP GAGE	LAYOUT
.153-.169	NONE	.430	408-8040	458637-1	L3093

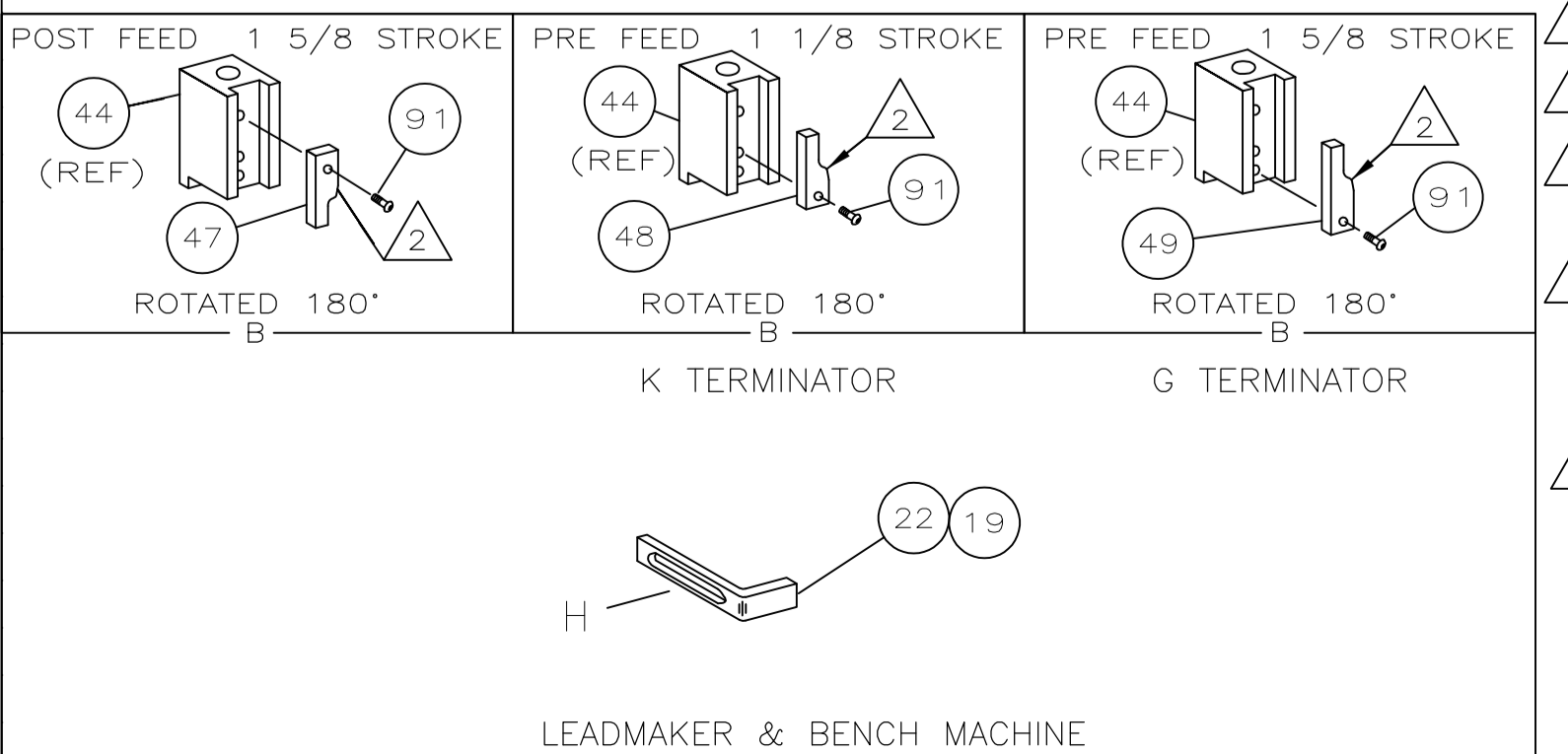
LOC	DIST	REVISIONS			
F	LTR	DESCRIPTION	DATE	BY	APPV
A	66				
B		ECR-09-003539	2-2009	MY	TE

-1	LEADMAKER	MECH POST FEED
-2	BENCH MODEL K	MECH PRE FEED
-3	BENCH MODEL G	MECH PRE FEED



							129	
							128	
2	2	2	-	3-354779-0	PIN, WIRE DISC (.3140)B		127	
2	2	2	-	1-354779-8	PIN, WIRE DISC (.3080)A		126	
1	1	1	-	986950-1	WASHER, FLAT PRECISION		125	
1	1	1	-	217238-1	GENERAL INSTRUCTION PACKAGE		124	
1	1	1	-	4088040	SF APPL INST 408-8040		123	
							122	
1	1	1	-	4-21028-0	PIN,SLT SPR(Ø.093x.75)ST GDE PL		121	
REF	REF	REF	-	1-21030-1	PIN,DOWEL(Ø.187x.50)LEVER		120	
REF	REF	REF	-	1-21030-6	PIN,DOWEL(Ø.187x1.25)HOUSING		119	
REF	REF	REF	-	21045-3	RING,RET "C"(Ø.187)FD FING PIN		118	
1	1	1	-	21024-5	WASHER, LOCK(#10)ADJ BLOCK		117	
REF	REF	REF	-	21024-5	WASHER,LOCK(#10)ADJ PLATE		116	
REF	REF	REF	-	21024-5	WASHER,LOCK(#10)FEED GDE ROD		115	
2	2	2	-	21024-2	WASHER,LOCK(#4)FRONT STP GUIDE		114	
REF	REF	REF	-	5-21028-1	PIN,SLT SPR(Ø.125x.50)ADJ ROD		113	
							112	
4	4	4	-	21024-4	WASHER,LOCK(#8)STRIPPER		111	
REF	REF	REF	-	21899-4	WASHER,FLAT(Ø5/16)SCREW ADJ		110	
							109	
1	1	1	-	21018-5	NUT,HEX(NO.6)HOLDDOWN		108	
REF	REF	REF	-	21068-5	NUT,HEX(6-32)FEED ADJ		107	
							106	
							105	
							104	
1	1	1	-	21009-2	SCR,SKT SET(1/4-20x.25 LW)RAM		103	
2	2	2	-	21017-2	SCR,DRIVE(#2x.19)ID PLATE		102	
REF	REF	REF	-	6-23715-5	SCR,PAN HD(6-32x1.50)FEED ADJ		101	
1	1	1	-	461264-1	PLATE, IDENTIFICATION		100	
2	2	2	-	5-21006-6	SCR,SET(10-32x.75)DRAG		99	
1	1	1	-	22733-8	SCR,BHC(8-32x.38 LW)ANVIL		98	
REF	REF	REF	-	2-21002-9	SCR,BHC(10-32x.75)CAP		97	
REF	REF	REF	-	2-22733-8	SCR,BHC(1/4-20x.62)HOUSING		96	
REF	REF	REF	-	2-21002-7	SCR,BHC(10-32x.50)SG ADJ BLOCK		95	
6	6	6	-	2-21002-2	SCR,BHC(8-32x.50)TERM H DWN		94	
							93	
							92	
							91	
1	1	1	-	1-21002-7	SCR,BHC(6-32x.38)CAM		90	
							89	
							88	
2	2	2	-	2-21000-9	SCR,SHC(8-32x.75)DEP-HOLD		87	
1	1	1	-	2-22603-0	SCR,HEX HD(8-32x.31)FEED FINGER		86	
2	2	2	-	1-21000-3	SCR,SHC(4-40x.25)FR ST GUIDE		85	
1	1	1	-	2-21000-7	SCR,SHC(8-32x.50)STRIPPER		84	
REF	REF	REF	-	3-21000-7	SCR,SHC(10-32x.75)FEED ROD GD		83	
REF	REF	REF	-	3-21000-6	SCR,SHC(10-32x.62)FD ADJ BLK		82	
1	1	1	-	3-21000-4	SCR,SHC(10-32x.38)SG ADJ BL		81	
REF	REF	REF	-	3-21000-4	SCR,SHC(10-32x.38)PIVOT BLK		80	
-	REF	-	-	455749-1	GUARD, WINDOW		79	
REF	-	-	-	679532-1	INSERT, GUARD		78	
							77	
							76	
							75	
1	1	1	-	690603-1	SPRING, ASSIST		74	
1	1	1	-	23030-1	SCR,SHC(6-32x.25 SL)INS DISC		73	
REF	REF	REF	-	458109-1	WASHER, SPECIAL		72	
REF	REF	REF	-	690517-1	SPACER		71	
-3	-2	-1	U/M	PART NO	DESCRIPTION	ITEM NO		
QTY REQD PER ASSY				PARTS LIST				

REF	REF	REF	-	22594-8	NUT,HEX(1/2-20)		70	
REF	REF	REF	-	240628-1	PLATE, ADJUSTMENT		69	
REF	REF	REF	-	240626-1	SHAFT, PIVOT		68	
REF	REF	REF	-	240633-1	BUSHING		67	
REF	REF	REF	-	455680-1	LEVER, INTERMEDIATE		66	
REF	REF	REF	-	240629-1	BLOCK, PIVOT		65	
REF	REF	REF	-	240632-2	SCREW, ADJ FEED ROD		64	
REF	REF	REF	-	240659-3	PIN, CAM ROLLER		63	
REF	REF	REF	-	240658-1	ROLLER, CAM		62	
REF	REF	REF	-	454398-2	ROD, FEED		61	
REF	REF	REF	-	454178-1	GUIDE, FEED ROD		60	
REF	REF	REF	-	454220-1	CAP, RAM		59	
REF	REF	REF	-	454485-1	HOUSING		58	
							57	
1	1	1	-	458537-2	PAWL, FEED		56	
REF	REF	REF	-	240624-1	PIN, FEED FINGER		55	
REF	REF	REF	-	691499-1	SPRING, FEED FINGER		54	
REF	REF	REF	-	690541-1	HOLDER, FEED FINGER		53	
REF	REF	REF	-	455679-1	LEVER, TERMINAL FEED ARM		52	
1	1	1	-	811242-2	BUMPER, HOLDDOWN		51	
1	1	1	-	690753-1	SPACER, TONKER		50	
1	-	-	-	690602-6	CAM, PRE-FEED 1 5/8 ST		49	
-	1	-	-	690602-5	CAM, PRE-FEED 1 1/8 ST		48	
-	-	1	-	690501-4	CAM, POST-FEED 1 5/8 ST		47	
1	1	1	-	459456-1	APPLICATOR, BASIC (SUBASSY)		46	
1	1	1	-	690191-1	PLUG, NYLON		45	
1	1	1	-	455673-1	RAM		44	
1	1	1	-	690125-1	WASHER, LAMINATED		43	
1	1	1	-	690124-1	WASHER, RAM		42	
1	1	1	-	7-21002-9	BOLT, CRIMPER(5/16x1.00)		41	
1	1	1	-	23241-6	BALL, STEEL		40	
1	1	1	-	690170-1	SPRING, COMPRESSION		39	
1	1	1	-	690142-1	DISC, INSULATION		38	
1	1	1	-	354777-1	DISC, WIRE		37	
1	1	1	-	22480-5	WASHER, SPRING		36	
1	1	1	-	690212-1	POST, RAM		35	
1	1	1	-	690786-1	SUPPORT, TERMINAL		34	
REF	REF	REF	-	455675-1	PLATE, BASE		33	
1	1	1	-	690432-3	SCREW, ADJUSTMENT		32	
							31	
REF	REF	REF	-	455689-1	BLOCK, STRIP GUIDE ADJ		30	
1	1	1	-	455671-1	PLATE, STRIP GUIDE		29	
1	1	1	-	1-455888-0	SPACER, FRONT SHEAR DEP		28	
2	2	2	-	1-22284-0	SPRING, DRAG		27	
1	1	1	-	690546-1	LEVER, DRAG RELEASE		26	
1	1	1	-	240792-1	DRAG, TERMINAL		25	
1	1	1	-	9-690504-2	GUIDE, STRIP (REAR)		24	
1	1	1	-	690438-1	GUIDE, STRIP (FRONT)		23	
-	-	1	-	690472-2	STRIPPER		22	
REF	REF	REF	-	4-22284-9	SPRING, FEED RETURN		21	
							20	
1	1	-	-	691353-1	STRIPPER		19	
							18	
							17	
1	1	1	-	318563-1	GUARD, CHIP, FRONT		16	
							15	
							14	
							13	
1	1	1	-	5-22280-0	SPRING, SHEAR		12	
1	1	1	-	690461-1	STOP, SHEAR		11	
1	1	1	-	690459-1	HOLDER, SHEAR (FRONT)		10	
1	1	1	-	454276-1	SHEAR, FLOAT (FRONT)		9	
1	1	1	-	5-662187-8	ANVIL		8	
1	1	1	-	1-240641-4	SPACER, DEPRESSOR (REAR)		7	
							6	
1	1	1	-	1-455889-4	DEPRESSOR, SHEAR (FRONT)		5	
1	1	1	-	238011-4	SPACER, BLOCK CRIMPER		4	
1	1	1	-	1-456135-7	CRIMPER, INSULATION		3	
1	1	1	-	455888-5	SPACER, CRIMPER		2	
1	1	1	-	4-456406-3	CRIMPER, WIRE		1	
-3	-2	-1	U/M	PART NO	DESCRIPTION	ITEM NO		
QTY REQD PER ASSY				PARTS LIST				



- 1 RECOMMENDED SPARE PARTS.
- 2 GREASE LIGHTLY.
- 3 GUARD MUST BE IN PLACE WHEN OPERATING APPLICATOR IN A BENCH MACHINE.
- 4 LUBRICATE DAILY USING NO. 20 MACHINE OIL.
5. ITEMS WITH QTY OF REF SPECIFIED (EXCEPT ITEMS 78 AND 79) ARE USED ON ITEM 46.
- 6 CUT TO LENGTH AT ASSEMBLY.

THIS DRAWING IS A CONTROLLED DOCUMENT.

DIMENSIONS: INCHES. TOLERANCES UNLESS OTHERWISE SPECIFIED: 0 PLC ± .005, 1 PLC ± .005, 2 PLC ± .005, 3 PLC ± .005, 4 PLC ± .005, ANGLES ± .005.

MATERIAL: - FINISH: -

APPROVED: J. ELBIN, 18FEB05

NAME: SID FEED HDM APPLICATOR

SIZE: A1, CASE CODE: 00779, DRAWING NO: 1852010

REVISIONS: 1 of 1