

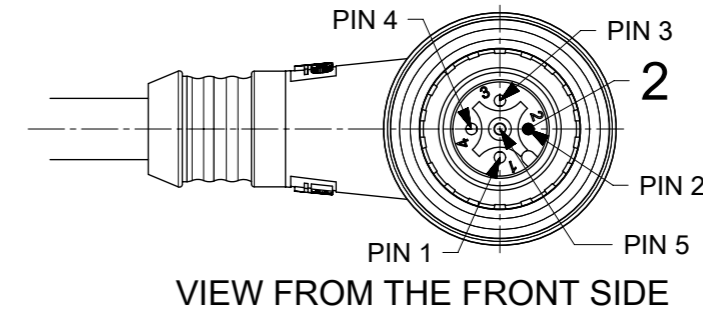
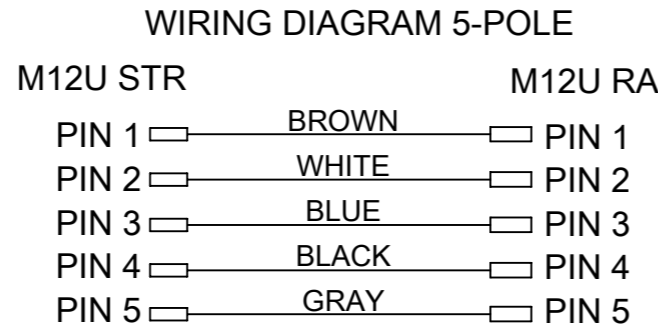
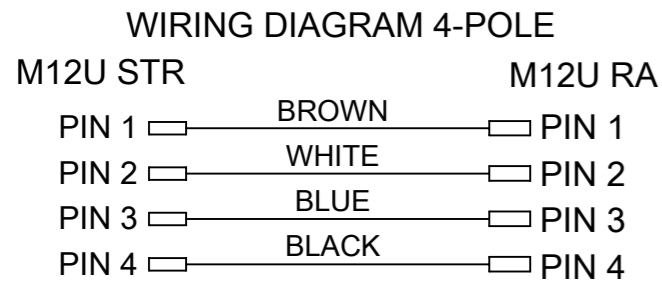
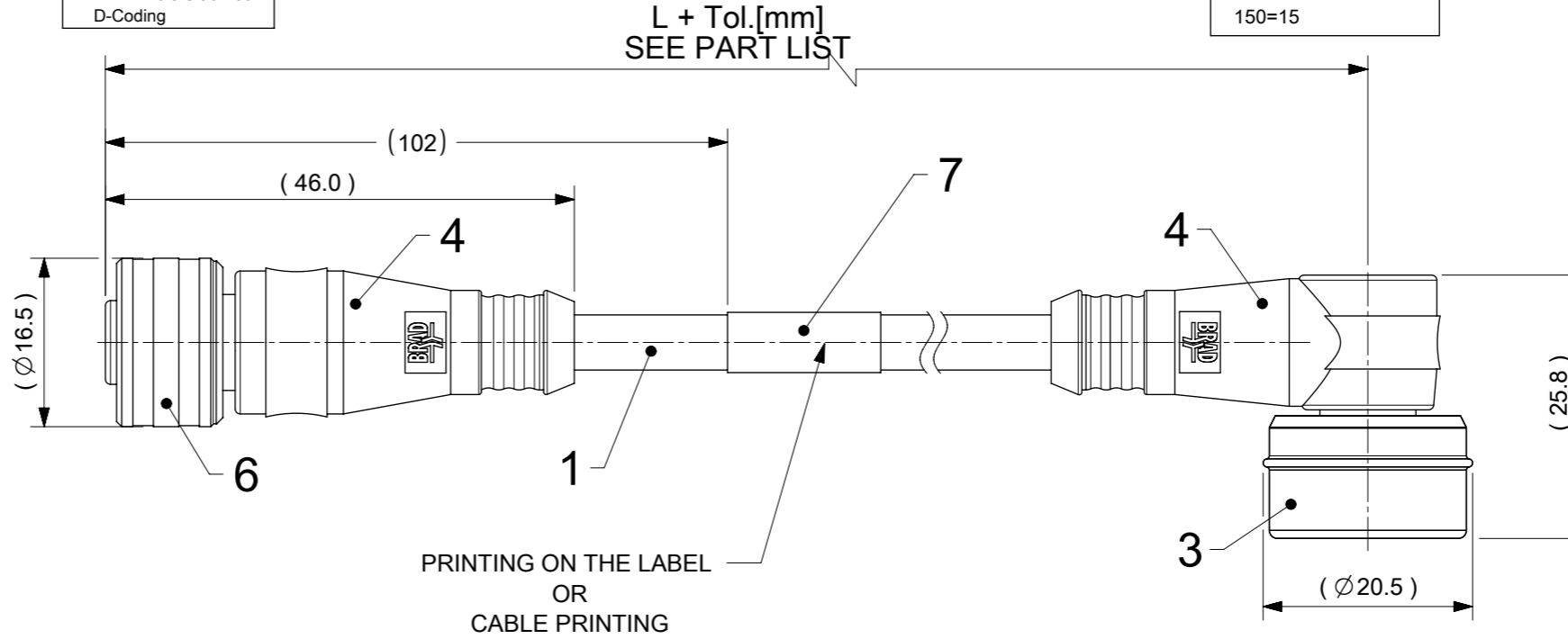
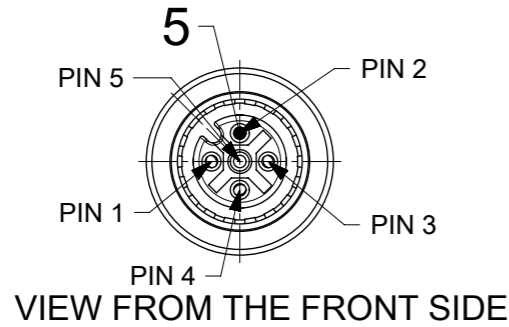
NOTES :
 ELECTRICAL DATA :
 VOLTAGE RATING : 250V
 AMPERAGE RATING : 4A
 INSULATION RESISTANCE : 10⁸Ω MIN.
 MATING CYCLES : MIN. 100

ENVIRONMENTAL :
 PROTECTION CLASS : IP67/IP68/IP69K
 IN MATED CONDITION AND LOCKED CONDITION
 OPERATING TEMPERATURE : -25°C TO +80°C

PART NO MATRIX

W	W	X	0	3	2	X	X	X	M	X	X	X
---	---	---	---	---	---	---	---	---	---	---	---	---

HEADS: W=M12 4-Pole Ultra Lock D-Coding W=M12 4-Pole Ultra Lock D-Coding	WIRING TYPE: 4= 4 Pole 5= 5 Pole	HEADS STYLE: 032 = FEMALE STR / MALE RA	CABLE TYPE: SEE CABLE LIST	UNITS: M=METER T=10x METER	LENGTH EXAMPLES: 005=0.5 010=1 150=15
--	--	--	-------------------------------	----------------------------------	--



BOM

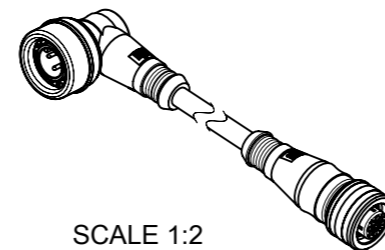
ITEM	QTY.	DESCRIPTION	MATERIAL	FINISH/COLOR
7	1/0	LABEL	VINYL	YELLOW
6	1	ULTRALOCK FEMALE ASSEMBLY PLUG	-	-
5	4	CONTACT FEMALE	BRONZE	SELECTIVE GOLD OVER NICKEL
4	-	MOULDING MATERIAL	TPU	BLACK
3	1	ULTRA-LOCK MALE ASSEMBLY PLUG	-	-
2	4	CONTACT MALE	BRASS	SELECTIVE GOLD OVER NICKEL
1	-	SEE CABLE LIST	SEE CABLE LIST	

PART LIST

SL. NO	MOLEX PN	ENGINEERING NO.	L +Tol. (mm)
1	1200805068	WW4032E03M010	1000+56
2	1200808012	WW4032P03M020	2000+89
3	1200808036	WW4032H09M010	1000+56
4	1200808038	WW5032H09M010	1000+56

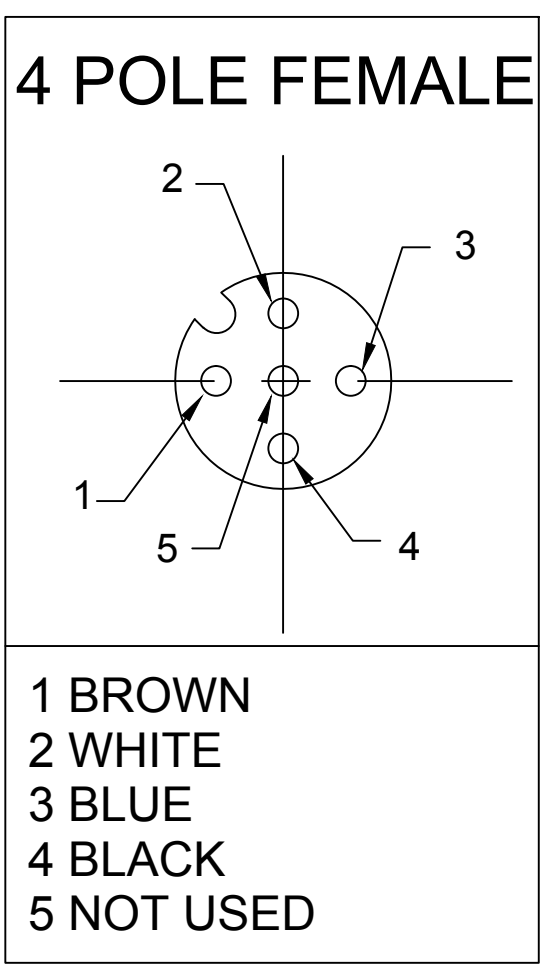
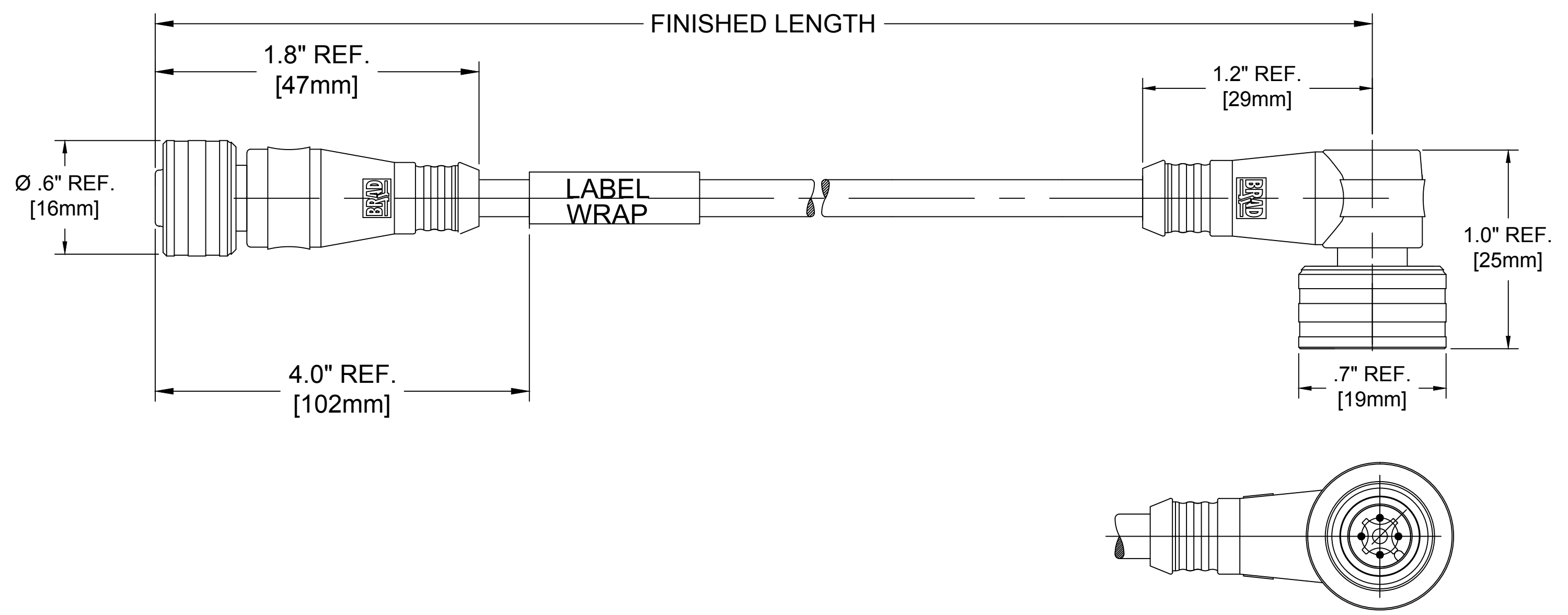
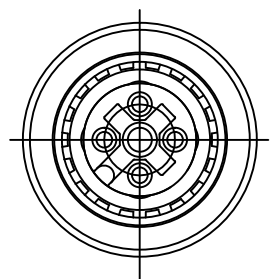
CABLE LIST

CABLE TYPE	NO. OF WIRES	DESCRIPTION	CABLE JACKET	FINISH/COLOR
E03	4	4X0.34MM;UNSH;RAL9005;OD=5.40MM	PVC	BLACK
P03	4	4X0.34MM;UNSH;PUR;BK-RAL9005;OD=5.30MM	PUR	BLACK
H09	4	CABLE PUR;BLK 4X0.34MM-LSOH;UL	PUR	BLACK
H09	5	CABLE PUR BLK 5X0.34mm LSZH UL	PUR	BLACK



FUNCTIONAL SYMBOLS √A = 0 √E = 0 √V = 0	THIS DRAWING CONTAINS INFORMATION THAT IS PROPRIETARY TO MOLEX ELECTRONIC TECHNOLOGIES, LLC AND SHOULD NOT BE USED WITHOUT WRITTEN PERMISSION	SCALE 3:2	CURRENT REV DESC:			
	DIMENSION UNITS mm	GENERAL TOLERANCES (UNLESS SPECIFIED) ANGULAR TOL ± 1.0°				
DIVISIONAL SYMBOLS	4 PLACES ±	EC NO: 703538				
	3 PLACES ±	DRWN: MDHARMANTI 2022/03/09				
	2 PLACES ± 0.05	CHK'D: RSILLER 2022/04/22	M12U-4P-FE-STR-4P-M-STR-XM			
	1 PLACE ± 0.3	APPR: RSILLER 2022/04/22				
	0 PLACES ± 0.5	INITIAL REVISION:	PRODUCT CUSTOMER DRAWING			
	DRAFT WHERE APPLICABLE MUST REMAIN WITHIN DIMENSIONS	DRWN: MDHARMANTI 2022/03/09				
	THIRD ANGLE PROJECTION	APPR: RSILLER 2022/04/22	DOCUMENT NUMBER	DOC TYPE	DOC PART	REVISION
	A3-SIZE	SERIES 120080	1200805068	PSD	000	A
		MATERIAL NUMBER	CUSTOMER	SHEET NUMBER		
		SEE PART LIST	GENERAL MARKET	1 OF 1		

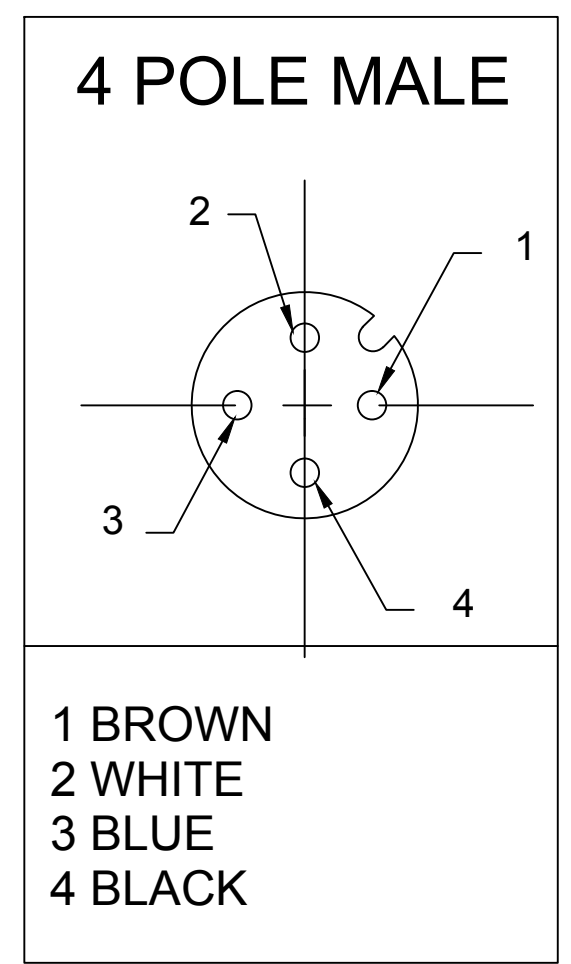
13	12	11	10	9	8	7	6	5	4	3	2	1
MATERIAL NUMBER		OLD PART NUMBER		FINISHED LENGTH								
1200808036		WW4032H09M010		1M +55.6mm -0 [3.3 FT. +2.2 IN -0]								



WW4032H09M010

cable type
#22 PUR
BLACK

cable length
010----1 Meter
100----10 Metes



SPECIFICATION DATA

COMPONENT	MATERIAL	FINISH
LABEL	MYLAR	BLACK/YELLOW
COUPLER	BRASS	NICKEL PLATED
CONTACT	COPPER ALLOY	Au OVER Ni
INSERT	PUR	BLACK
OVERMOLD	TPU	BLACK
CABLE #22	PUR	BLACK
VOLTAGE RATING:		300V
AMPERAGE RATING:		4A
PROTECTION CLASS:		IP67/68/69K
OPERATING TEMPERATURE:		-30°C / 80°C
CSA CERTIFICATIONS:		FILE NO. LR6837

RELEASE EC NO: IFC2014-0591 DRWN: GGUSTAFS 2013/09/24 CH'KD: BARDEN APPR: BWOODMAN2013/10/09	DESCRIPTION REV	QUALITY SYMBOL	GENERAL TOLERANCES (UNLESS SPECIFIED)	DIMENSION STYLE	SCALE	DESIGN UNITS	THIRD ANGLE PROJECTION
		$\nabla=0$ $\sphericalangle=0$	mm INCH 4 PLACES \pm --- \pm --- 3 PLACES \pm --- \pm .005 2 PLACES \pm 0.13 \pm .010 1 PLACE \pm 0.25 \pm .020	IN/MM	NTS	INCH	MICRO CHANGE ULTRA LOCK 4P FEMALE/MALE ST/90D #22 PUR
		ANGULAR \pm .5° DRAFT WHERE APPLICABLE MUST REMAIN WITHIN DIMENSIONS	DRAWN BY DATE GGUSTAFS 2013/09/24 CHECKED BY DATE BARDEN 2013/11/28 APPROVED BY DATE BWOODMAN 2013/10/09	MATERIAL NO. SEE CHART	DOCUMENT NO. SD-120080-066	SHEET NO. 1 OF 1	
		A	REV	SIZE C	THIS DRAWING CONTAINS INFORMATION THAT IS PROPRIETARY TO MOLEX INCORPORATED AND SHOULD NOT BE USED WITHOUT WRITTEN PERMISSION		