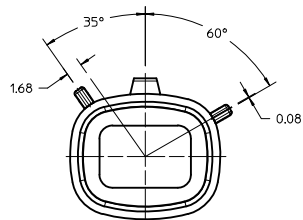
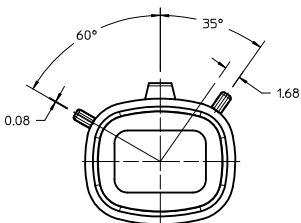


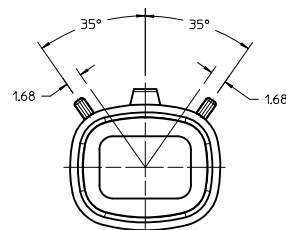
KEYING OPTION "A"
SUGGESTED COLOR: BLACK



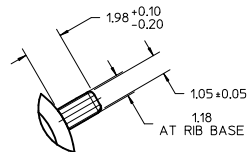
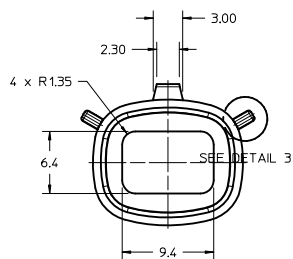
KEYING OPTION "B"
SUGGESTED COLOR: GREY



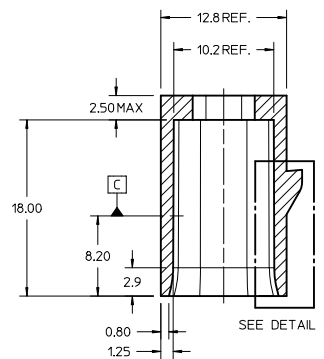
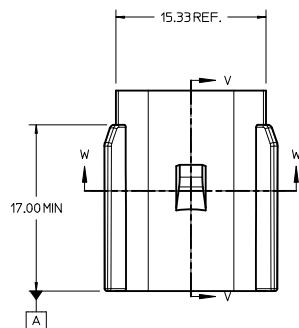
KEYING OPTION "C"
SUGGESTED COLOR: BROWN



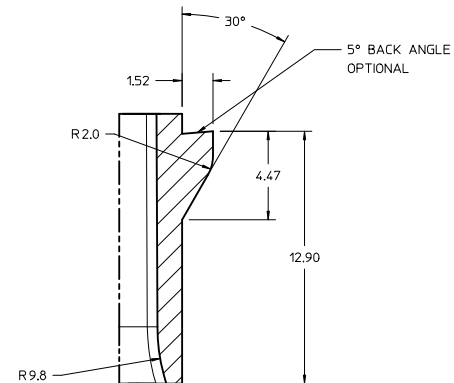
KEYING OPTION "D"
SUGGESTED COLOR: GREEN



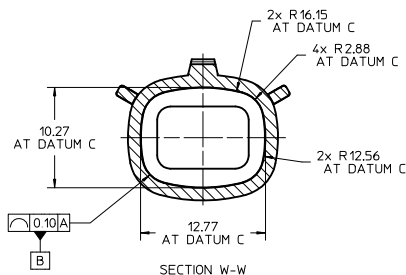
DETAIL 3
SCALE 8:1



SECTION V-V



DETAIL 4
SCALE 8:1



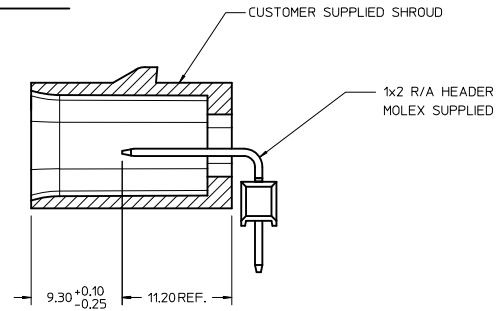
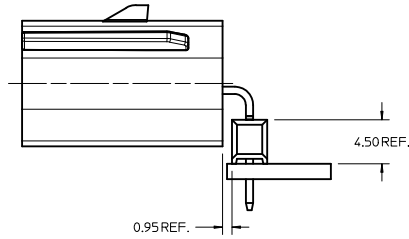
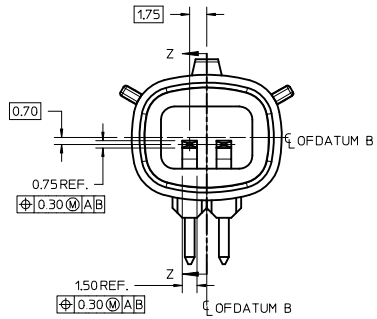
SECTION W-W

NOTES:

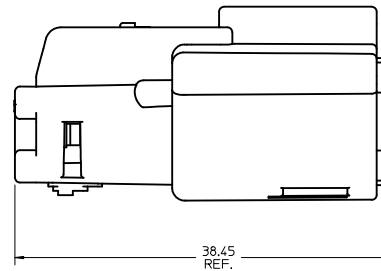
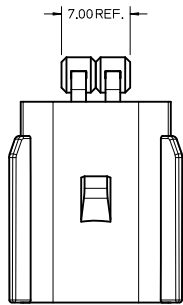
- REFER TO MOLEX SALES DRAWING SD-75900-002 FOR THE HEADER ASSEMBLY PRODUCT DETAILS AND RECOMMENDED PCB LAYOUT.
- KEYING OPTIONS A-D AND SUGGESTED COLORS COMPLY TO THE POLARIZATION STANDARDS ESTABLISHED FOR MATING WITH A MX150 FEMALE CONNECTOR.
- INTERIOR SHROUD SURFACE MUST BE FREE OF DEFECTS AND PARTING LINES ALL AROUND TO ENSURE PROPER SEALING OF THE MATING MX150 FEMALE CONNECTOR.
- A FULL SHROUD ON THE MATING CONNECTOR IS REQUIRED TO INSURE THE HEADER SHROUD POLARIZATION FEATURES (OPTIONS A-D) WILL FUNCTION PROPERLY. THE FULL SHROUD ALSO PREVENTS SCOOP DAMAGE TO THE HEADER CONTACTS.
- PERMISSIBLE DRAFT ANGLE 0.25° MAXIMUM.
- RADI ON ALL CORNERS SHOWN SHARP OR ALL UNSPECIFIED RADI 0.25 EXCEPT AS NOTED.
- DIMENSIONS SHOWN ABOUT A CENTERLINE ARE SYMMETRICAL ABOUT THAT CENTERLINE WITHIN HALF THE SPECIFIED TOLERANCE.

INITIAL RELEASE EC NO: UCF2011-3372 DRAWN BY: DROSCA CHYD: JCOMERCI APPR: JCOMERCI 2011/05/04 2011/06/17 2011/06/17	QUALITY SYMBOLS ▽=0 ▽=0	GENERAL TOLERANCES (UNLESS SPECIFIED)		DIMENSION STYLE MM ONLY	SCALE 4:1	DESIGN UNITS METRIC	THIRD ANGLE PROJECTION	
		4 PLACES ± --- ± --- 3 PLACES ± --- ± --- 2 PLACES ± 0.13 ± --- 1 PLACE ± 0.25 ± ---	mm INCH	DRAWN BY: DROSCA DATE: 2011/05/04	CHECKED BY:	DATE:	TITLE:	APPLICATION SPEC 1X2 MX150 R/A HEADER SHROUD DETAIL
		ANGULAR ±1/2°	DRAFT WHERE APPLICABLE MUST REMAIN WITHIN DIMENSIONS	APPROVED BY: JCOMERCI DATE: 2011/06/17	MATERIAL NO: 759001020	DOCUMENT NO: AS-75900-102	MOLEX INCORPORATED	SHEET NO: 1 OF 2
		THIS DRAWING CONTAINS INFORMATION THAT IS PROPRIETARY TO MOLEX INCORPORATED AND SHOULD NOT BE USED WITHOUT WRITTEN PERMISSION						

HEADER APPLICATION DETAILS



SECTION Z-Z

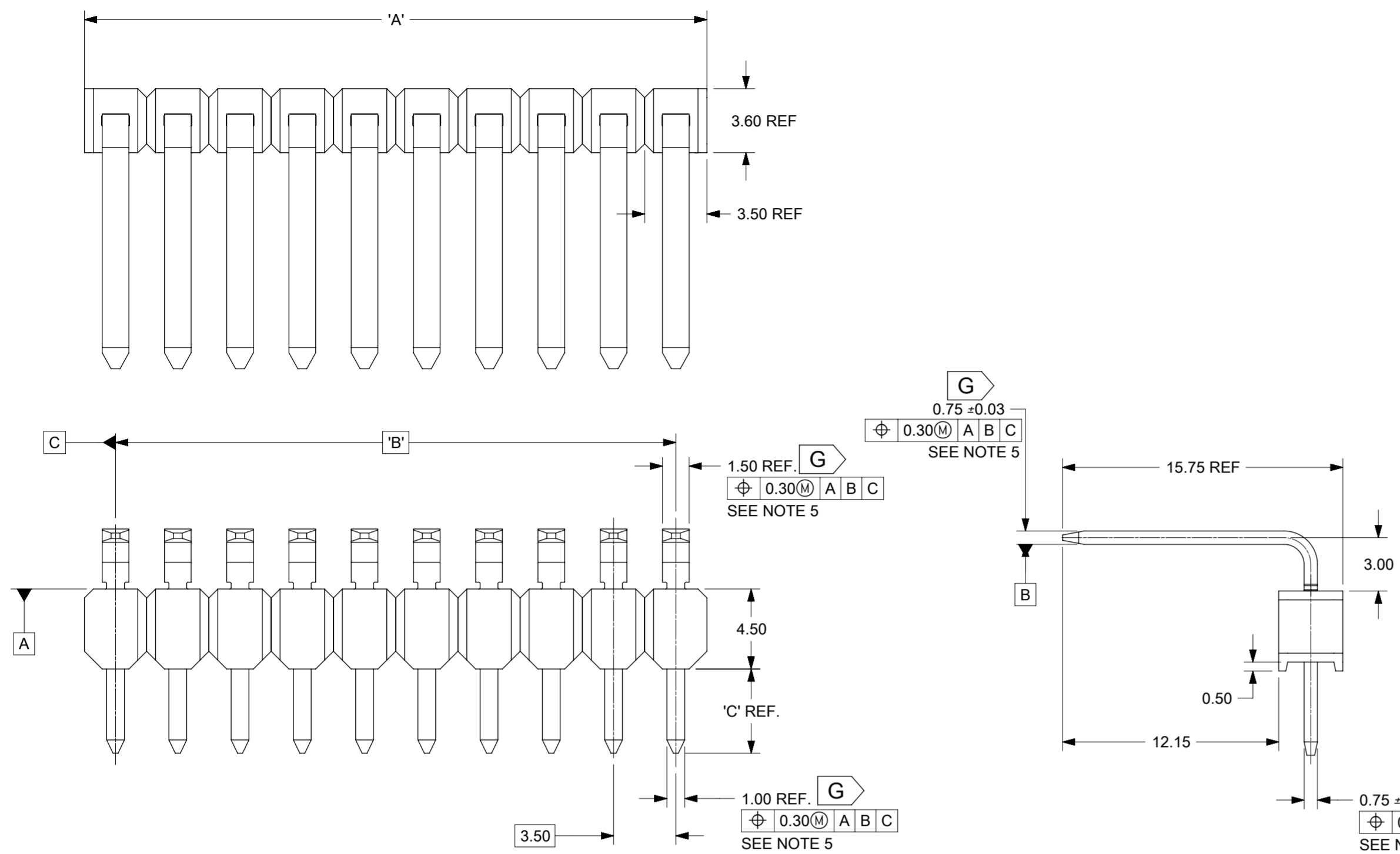


CONNECTOR ASSEMBLY

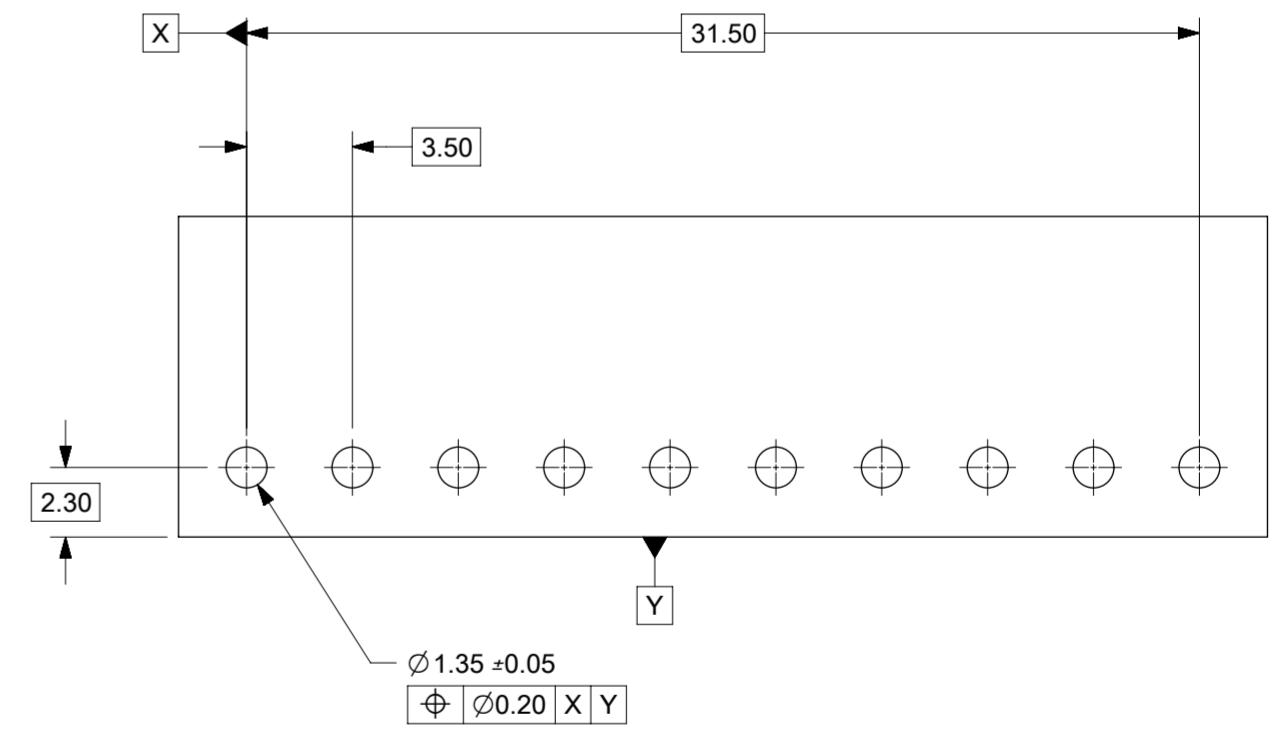
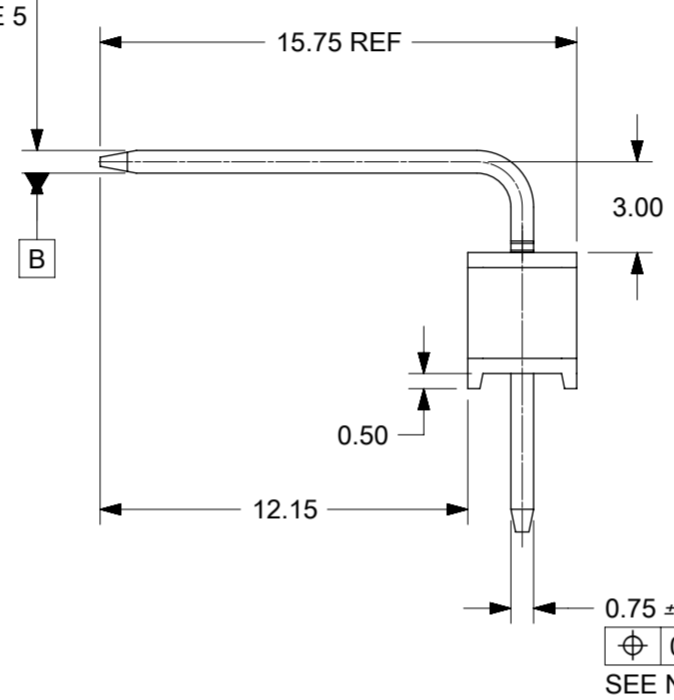
NOTES:

1. ADHERENCE TO THE HEADER APPLICATION DETAILS IS IMPERATIVE TO ENSURE PROPER SHROUD SEALING AND CONTACT ALIGNMENT WHEN MATED WITH A MX150 FEMALE CONNECTOR.

SEE SHT 1 IEC NO.: UCP2011-3372 DRAWN BY: DROSCA 2011/05/04 CHECKED BY: JCOMERCI 2011/06/17 APPR.: JCOMERCI 2011/06/17	QUALITY SYMBOLS	GENERAL TOLERANCES (UNLESS SPECIFIED)	DIMENSION STYLE	SCALE	DESIGN UNITS	THIRD ANGLE PROJECTION
	▽=0 ▽=0	mm INCH 4 PLACES ± --- ± --- 3 PLACES ± --- ± --- 2 PLACES ± 0.13 ± --- 1 PLACE ± 0.25 ± --- ANGULAR ± 1/2°	MM ONLY	4:1	METRIC	TITLE: APPLICATION SPEC 1X2 MX150 R/A HEADER SHROUD DETAIL
	DRAFT WHERE APPLICABLE MUST REMAIN WITHIN DIMENSIONS	APPROVED BY: JCOMERCI DATE: 2011/06/17	MATERIAL NO.: SEE SHEET 1 DOCUMENT NO.: AS-75900-102	MOLEX INCORPORATED	SHEET NO.: 2 OF 2	
	THIS DRAWING CONTAINS INFORMATION THAT IS PROPRIETARY TO MOLEX INCORPORATED AND SHOULD NOT BE USED WITHOUT WRITTEN PERMISSION					



- NOTES:
1. TERMINAL MAT'L: ALLOY C26000, CARTRIDGE BRASS
 2. WAFER MAT'L: 30% GLASS FILLED LCP, 94V-0, COLOR BLACK.
 3. TERMINAL PLATING:
 - OPTION 4 - 1.5 μ m MIN MATTE TIN OVERALL OVER 1.25 μ m NICKEL OVERALL
 - OPTION 1 - 2.5 μ m MIN MATTE TIN OVERALL OVER 1.25 μ m NICKEL OVERALL
 - OPTION 2 - 1.25 μ m NICKEL OVERALL 2.5 μ m MIN SELECT MATTE TIN PC TAIL AREA 0.05-0.25 μ m SELECT GOLD CONTACT AREA
 - OPTION 3 - 1.25 μ m NICKEL OVERALL 2.5 μ m MIN SELECT MATTE TIN PC TAIL AREA 0.75 μ m SELECT GOLD CONTACT AREA
 4. HEADER ASSEMBLIES ARE TUBE PACKAGED PER PK-36518-352.
 5. ALL THE POSITIONAL TOLERANCES SHOULD BE MEASURED AT TIP OF THE TERMINALS.
 6. DATUM SHOULD BE CONSIDERED FROM THE EDGES OF THE HOUSING.
 7. POSITION TOLERANCES OF THE PIN AT MATING SIDE SHOULD BE MAINTAINED AT 0.3 MM IN THE FINAL MODULE BY CUSTOMER.
 8. \square G DENOTES DIMENSIONS THAT CAN BE QUALIFIED WITH A GAUGE.
 9. BLADE GEOMETRY DOES NOT CONFORM TO USCAR SPECIFICATIONS.



D	1 x 2	1	75900-0121	OBSOLETE	7.0	3.50 REF	75900-0122	OBSOLETE	7.0	3.50 REF		
		2	75900-0221	OBSOLETE			75900-0222	OBSOLETE			2	75900-0222
		3	75900-0321	OBSOLETE			75900-0322	OBSOLETE				
		4	75900-0421				75900-0422	OBSOLETE				
	1 x 3	1	75900-0131	OBSOLETE	10.5	7.00	75900-0132	OBSOLETE	10.5	7.00		
		2	75900-0231	OBSOLETE			75900-0232	OBSOLETE				
		3	75900-0331	OBSOLETE			75900-0332	OBSOLETE				
		4	75900-0431	OBSOLETE			75900-0432	OBSOLETE				
	1 x 4	1	75900-0141	OBSOLETE	14.0	10.50	75900-0142	OBSOLETE	14.0	10.50		
		2	75900-0241	OBSOLETE			75900-0242	OBSOLETE				
		3	75900-0341	OBSOLETE			75900-0342	OBSOLETE				
		4	75900-0441	OBSOLETE			75900-0442	OBSOLETE				
	1 x 6	1	75900-0161		21.0	17.50	75900-0162	OBSOLETE	21.0	17.50		
		2	75900-0261	OBSOLETE			75900-0262	OBSOLETE				
		3	75900-0361	OBSOLETE			75900-0362	OBSOLETE				
		4	75900-0461	OBSOLETE			75900-0462	OBSOLETE				
	1 x 8	1	75900-0181	OBSOLETE	28.0	24.50	75900-0182	OBSOLETE	28.0	24.50		
		2	75900-0281	OBSOLETE			75900-0282	OBSOLETE				
		3	75900-0381	OBSOLETE			75900-0382	OBSOLETE				
		4	75900-0481	OBSOLETE			75900-0482	OBSOLETE				
	1 x 10	1	75900-0101	OBSOLETE	35.0	31.50	75900-0102	OBSOLETE	35.0	31.50		
		2	75900-0201	OBSOLETE			75900-0202	OBSOLETE				
		3	75900-0301	OBSOLETE			75900-0302	OBSOLETE				
		4	75900-0401	OBSOLETE			75900-0402	OBSOLETE				
	CKT SIZE	PLATING OPTION	MATERIAL NUMBER	STATUS	"A" DIM	"B" DIM	"C" DIM	MATERIAL NUMBER	STATUS	"A" DIM	"B" DIM	"C" DIM

SYMBOLS	THIS DRAWING CONTAINS INFORMATION THAT IS PROPRIETARY TO MOLEX ELECTRONIC TECHNOLOGIES, LLC AND SHOULD NOT BE USED WITHOUT WRITTEN PERMISSION										
	DIMENSION UNITS	SCALE	CURRENT REV DESC: TWO PN's 75900-0261 & 75900-0432 ARE OBSOLETE								
∇ = 0	mm	1:1	GENERAL TOLERANCES (UNLESS SPECIFIED)								
∇ = 0	ANGULAR TOL $\pm 0.5^\circ$		4 PLACES \pm							INITIAL REVISION: DRWN: DROSCA 2010/10/12 APPR: JCOMERCI 2011/06/17	
∇ = 0	2 PLACES ± 0.13		1 PLACE ± 0.25								
∇ = 0	0 PLACES \pm		DRAFT WHERE APPLICABLE MUST REMAIN WITHIN DIMENSIONS							MATERIAL NUMBER: 75900 CUSTOMER: GENERAL MARKET SHEET NUMBER: 1 OF 1	
∇ = 0	THIRD ANGLE PROJECTION		DRAWING: A2-SIZE		SERIES: 75900						