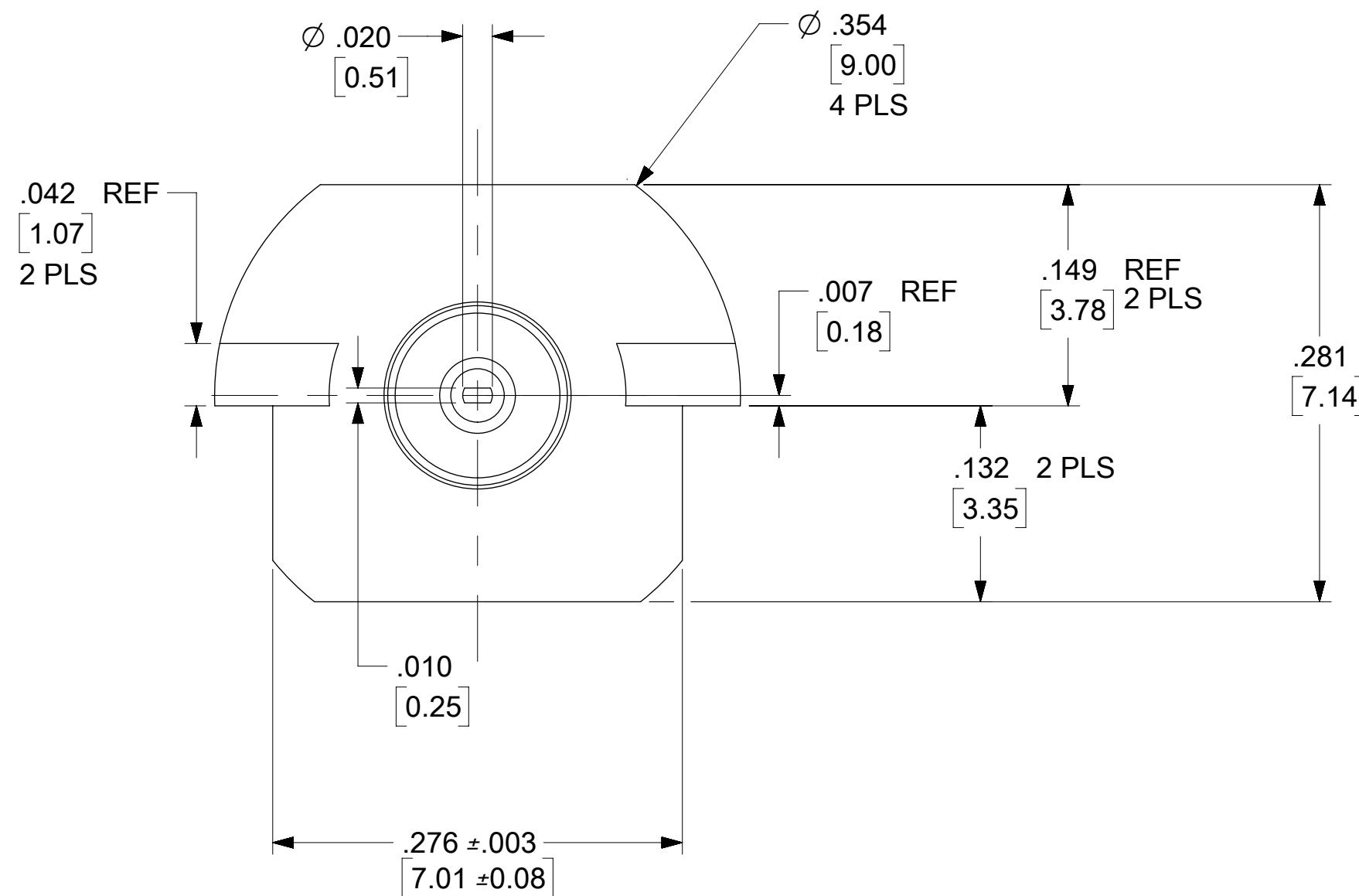
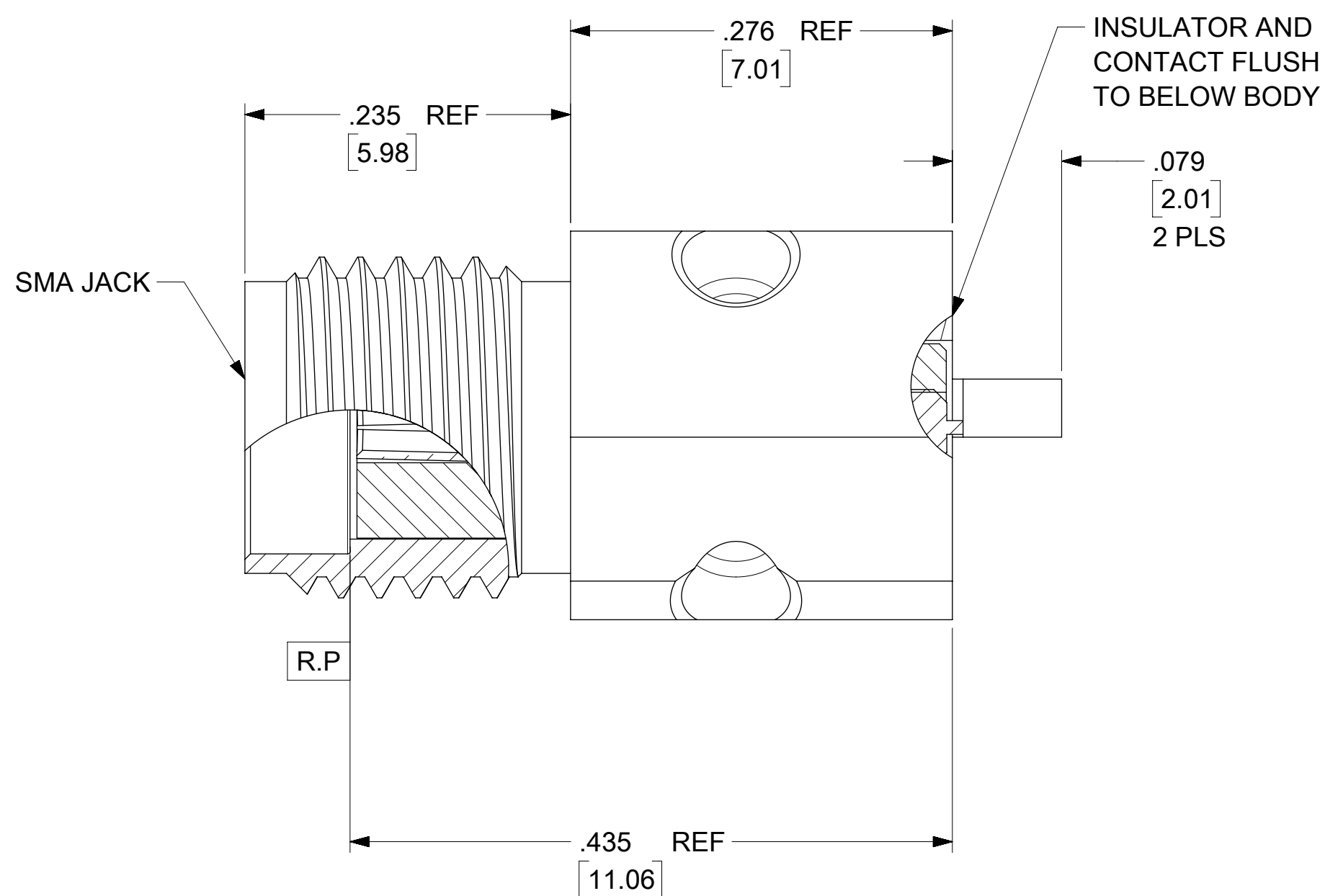
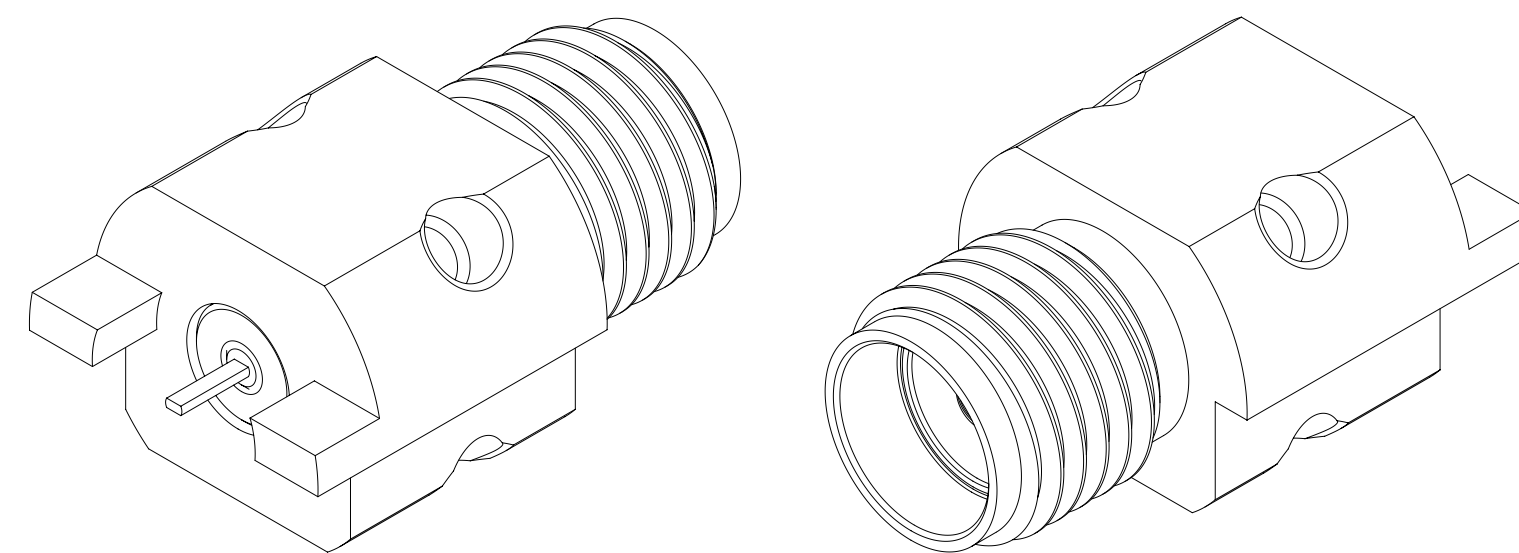


MATERIALS AND FINISHES:

BODY: BRASS  
 PLATED: GOLD (1μ-in MIN) OVER NICKEL PHOSPHOR (80μ-in MIN)

CONTACT: BERYLLIUM COPPER  
 PLATED: GOLD (8μ-in MIN) OVER NICKEL PHOSPHOR (80μ-in MIN)

INSULATOR: PTFE



73251-9780	TRAY
PART NO.	PACKAGING

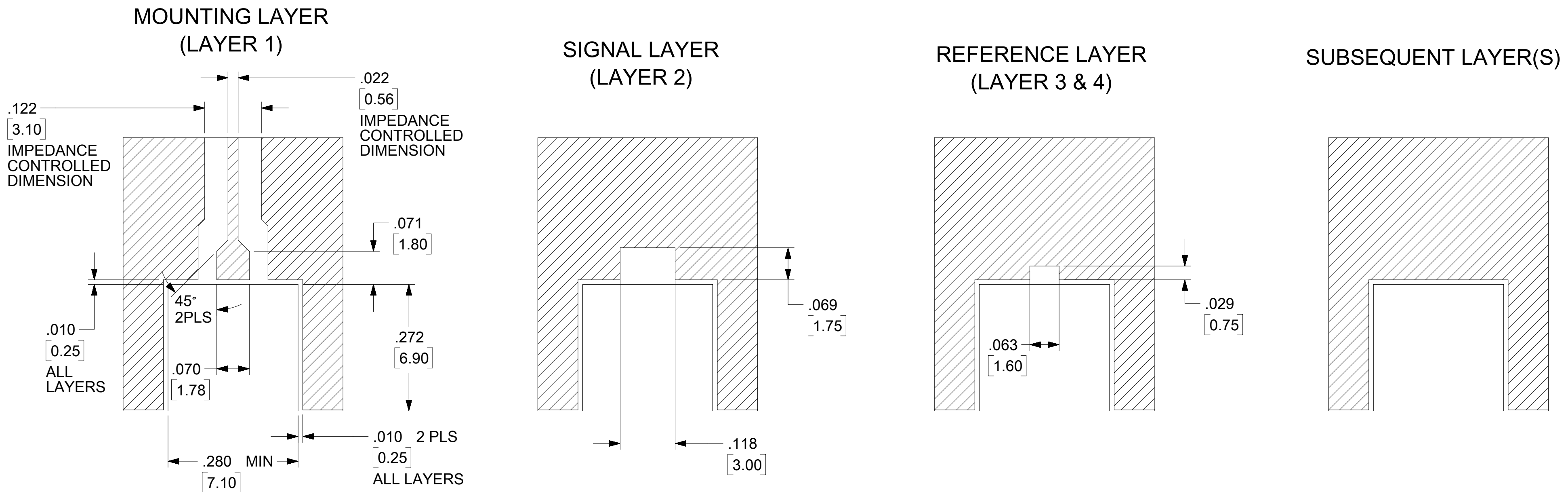
MIL-STD-348, FIG. 310-2	INTERFACE
SPECIFICATION	DESCRIPTION

DOCUMENT STATUS	P1	RELEASE DATE	2019/07/24	20:13:13
-----------------	----	--------------	------------	----------

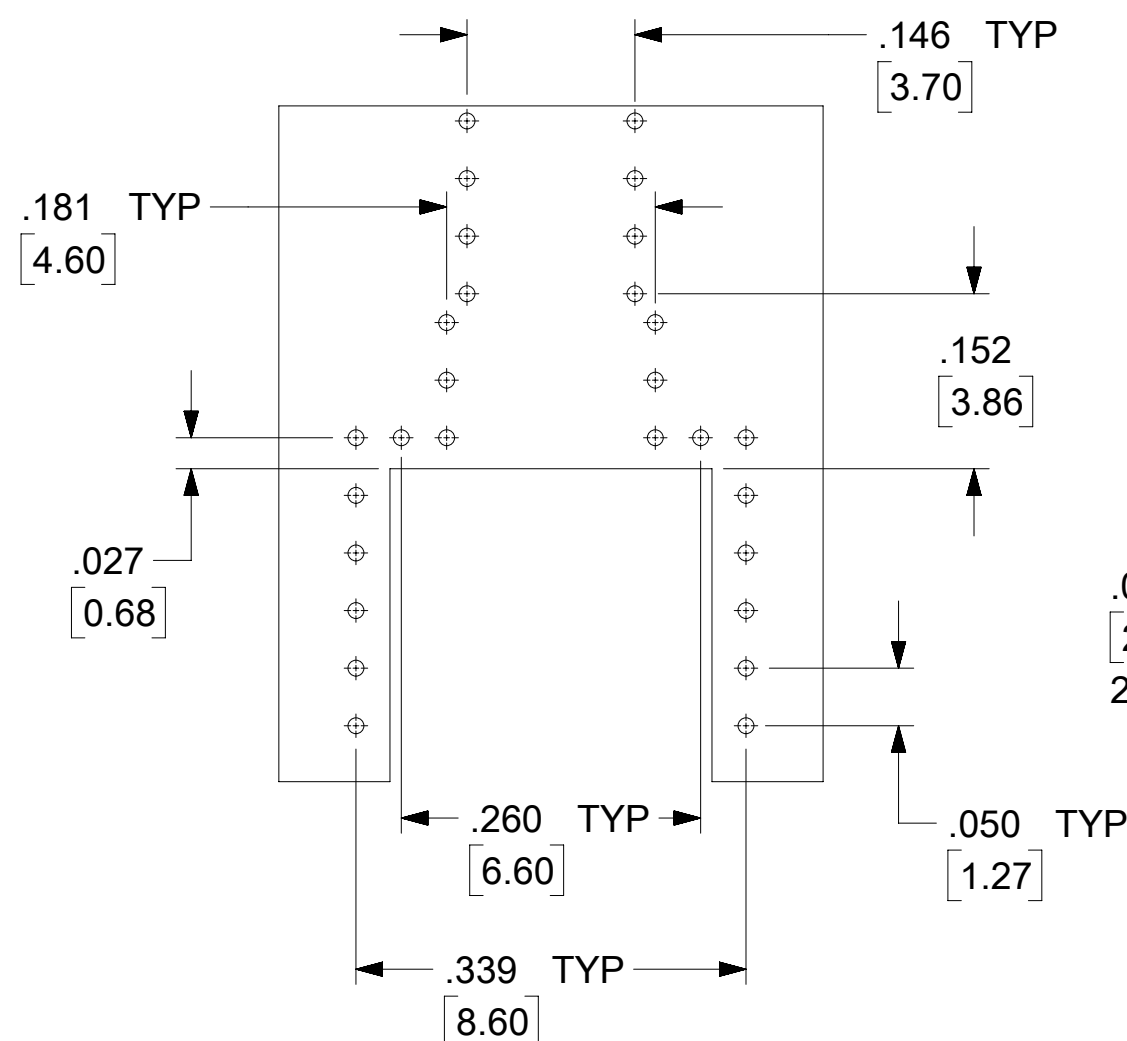
SYMBOLS		THIS DRAWING CONTAINS INFORMATION THAT IS PROPRIETARY TO MOLEX ELECTRONIC TECHNOLOGIES, LLC AND SHOULD NOT BE USED WITHOUT WRITTEN PERMISSION		CURRENT REV DESC: NEW RELEASE	
▽ = 0	IN/MM	SCALE	NTS		
▽ = 0	GENERAL TOLERANCES (UNLESS SPECIFIED)				
▽ = 0		MM	INCH		
▽ = 0	4 PLACES ±		±	EC NO: 620918	
▽ = 0	3 PLACES ±		± 0.005	DRWN: BSHAH 2019/07/16	
▽ = 0	2 PLACES ±	0.13	± 0.01	CHK'D: LMEIER 2019/07/24	
▽ = 0	1 PLACE ±	0.25	±	APPR: AROBERTSON 2019/07/24	
▽ = 0	0 PLACES ±		±	INITIAL REVISION:	
▽ = 0	ANGULAR TOL ±		°	DRWN: DRWN BY XXXX/XX/XX	
▽ = 0	DRAFT WHERE APPLICABLE MUST REMAIN WITHIN DIMENSIONS		THIRD ANGLE PROJECTION		APPR: APPR BY XXXX/XX/XX
▽ = 0				DRAWING	SERIES
				C-SIZE	73251
		DOCUMENT NUMBER		DOC TYPE   DOC PART   REVISION	
		732519780		PSD   000   A	
		MATERIAL NUMBER		CUSTOMER	
		SEE TABLE			
		SHEET NUMBER		1 OF 2	

# PCB CONNECTOR LAUNCH / PAD (FOR REFERENCE ONLY)

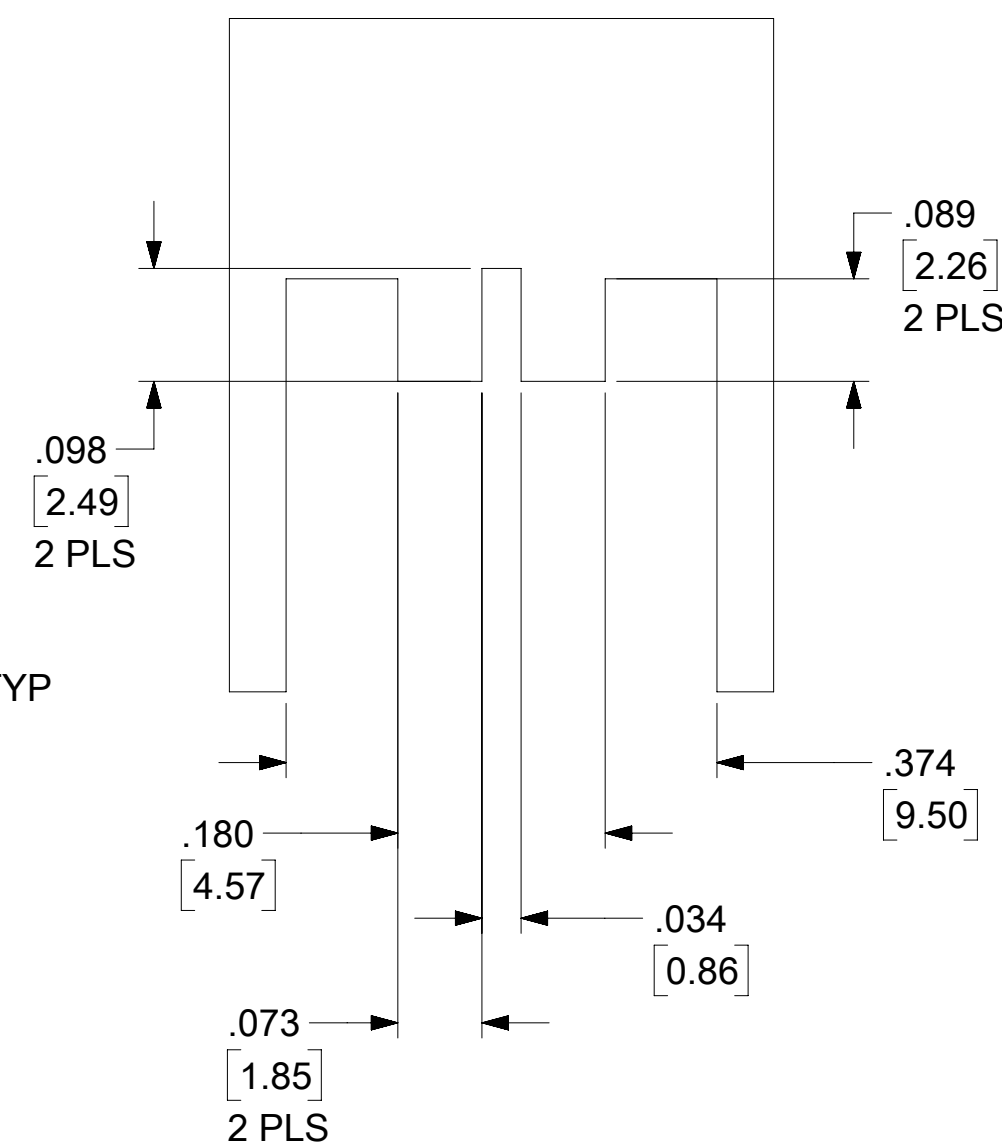
ALL HATCHED SURFACES SHOWN BELOW ARE COPPER (Cu)



## VIAS



## SILK SCREEN



## PCB STACK UP

LAYER	MATERIAL	Dk	THICKNESS (mil)
1	1/2 oz. Cu + PLATING		2.1
	Isola Tachyon 100G	3.02	10.0
2	1/2 oz. Cu		0.7
	Isola Tachyon 100G	3.02	10.0
3	1/2 oz. Cu		0.7
	Isola Tachyon 100G	3.02	10.0
4	1/2 oz. Cu		0.7
	Isola Tachyon 100G	3.02	10.0
5*	1/2 oz Cu		0.7

## TYPICAL PERFORMANCE CHARACTERISTICS WITH CONNECTOR AND PCB LAUNCH SHOWN

VSWR (FULLY MATED)	FREQUENCY BAND
1.25	DC TO 6 GHz
1.75	6 TO 10 GHz

VARYING PCB STACKUPS AND PCB LAUNCH WILL RESULT IN VARYING RESULTS

CONTACT MOLEX RF / MICROWAVE FOR APPLICATION SPECIFIC ASSISTANCE

\* SUBSEQUENT LAYERS MAY BE ADDED AS REQUIRED FOR INDIVIDUAL APPLICATIONS

SYMBOLS				THIS DRAWING CONTAINS INFORMATION THAT IS PROPRIETARY TO MOLEX ELECTRONIC TECHNOLOGIES, LLC AND SHOULD NOT BE USED WITHOUT WRITTEN PERMISSION			
▽ = 0	▽ = 0	▽ = 0	▽ = 0	DIMENSION UNITS	SCALE	CURRENT REV DESC: NEW RELEASE	
▽ = 0	▽ = 0	▽ = 0	▽ = 0	IN/MM	NTS		
▽ = 0	▽ = 0	▽ = 0	▽ = 0	GENERAL TOLERANCES (UNLESS SPECIFIED)			
▽ = 0	▽ = 0	▽ = 0	▽ = 0		MM	INCH	
▽ = 0	▽ = 0	▽ = 0	▽ = 0	4 PLACES ±		±	
▽ = 0	▽ = 0	▽ = 0	▽ = 0	3 PLACES ±		± 0.005	
▽ = 0	▽ = 0	▽ = 0	▽ = 0	2 PLACES ±	0.13	± 0.01	
▽ = 0	▽ = 0	▽ = 0	▽ = 0	1 PLACE ±	0.25	±	
▽ = 0	▽ = 0	▽ = 0	▽ = 0	0 PLACES ±		±	
▽ = 0	▽ = 0	▽ = 0	▽ = 0	ANGULAR TOL	±	°	
▽ = 0	▽ = 0	▽ = 0	▽ = 0	DRAFT WHERE APPLICABLE MUST REMAIN WITHIN DIMENSIONS		THIRD ANGLE PROJECTION	DRAWING
▽ = 0	▽ = 0	▽ = 0	▽ = 0				C-SIZE
							SERIES
							73251
							MATERIAL NUMBER
							SEE TABLE
							CUSTOMER
							SHEET NUMBER
							2 OF 2

# molex

SMA JACK PCB DETENT EDGE MOUNT FLAT TAB CONTACT, SMA-J/PCB, EWR-13186

PRODUCT CUSTOMER DRAWING

DOCUMENT NUMBER DOC TYPE DOC PART REVISION

732519780 PSD 000 A