

DWG. NO. SD-53324-002

F

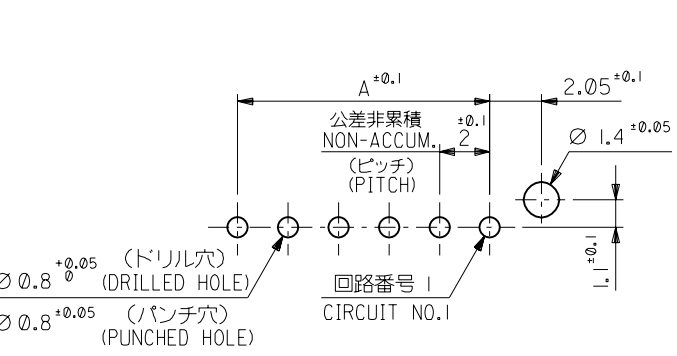
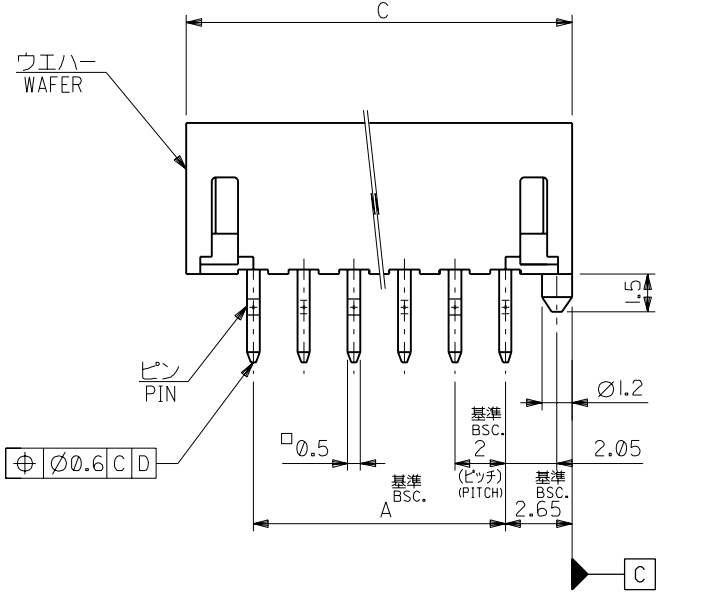
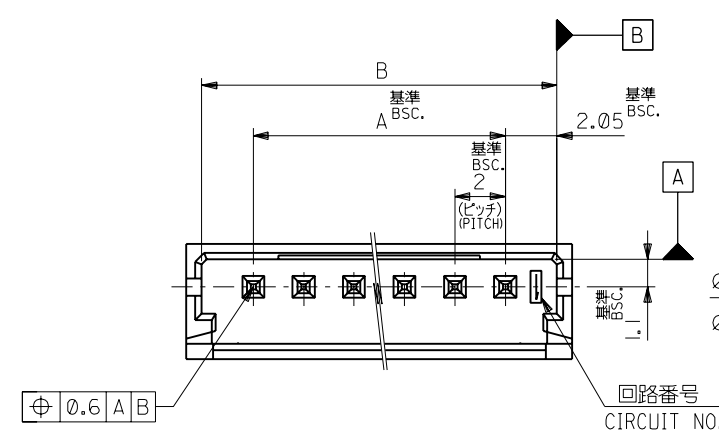
D

V

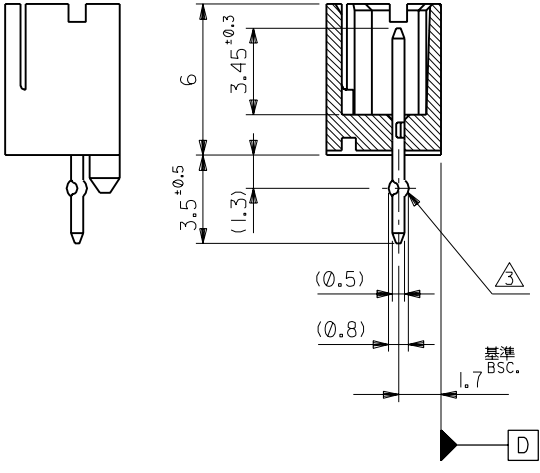
C

B

DO NOT SCALE DRAWING



基板取付穴推奨寸法 (t=1.6)
RECOMMENDED P.C. BOARD HOLE DIM. (t=1.6)



注記 NOTES

1. 嵌合相手: 51090-***00, 52484-***1*
MATES WITH
 2. 材質 MATERIAL
ウエハー: PBT (ガラス15%入り)
UL94V-0
WAFAER: PBT (G.F. 15%), UL94V-0
ピン: 黄銅, スズメッキ
PIN: BRASS, PRE-TINNED
- △ キックは全ピンに交互に付加。2極はキック無し。
SET KINK ALTERNATELY TO ALL CIRCUITS.
CIRCUIT 2 HAS NO KINK.

△ 製品番号
ENG. NO.
53324-***1*

ナチュラル (白) NATURAL (WHITE)	0
赤 RED	2
黄 YELLOW	3
青 BLUE	4

33.3	32.1	28	53324-151*	15
31.3	30.1	26	-14*	14
29.3	28.1	24	-13*	13
27.3	26.1	22	-12*	12
25.3	24.1	20	-11*	11
23.3	22.1	18	-10*	10
21.3	20.1	16	-09*	9
19.3	18.1	14	-08*	8
17.3	16.1	12	-07*	7
15.3	14.1	10	-06*	6
13.3	12.1	8	-05*	5
11.3	10.1	6	-04*	4
9.3	8.1	4	-03*	3
7.3	6.1	2	53324-021*	2
C	B	A	△ 4. ENG. NO.	極数 CKT.

064 NO. DRWN: CH'K: APPR:	063 NO. DRWN: CH'K: APPR:	062 NO. DRWN: CH'K: APPR:	061 NO. DRWN: CH'K: APPR:	060 NO. J2002-1610 DRWN: K.SAKAMOTO 02/01/15 CH'K: J.MIYAZAWA 02/01/15 APPR: YO.IITO 02/01/15	DESCRIPTION RELEASED	MATERIAL 材料	FINISH 仕上げ	WIRE RANGE 適用電線範囲	INS. RANGE 被覆外径
						注記参照 SEE NOTES	#	#	#

GENERAL TOLERANCES: (UNLESS SPECIFIED) 一般公差	SCALE 5-1	DESIGN UNITS mm INCH	DIMENSIONS: mm INCH	SHT mm ONLY	REV INCH ONLY
10 UNDER 未満	±0.2	mm INCH	mm INCH		
10 OVER 以上 30 UNDER 未満	±0.25				
30 OVER 以上	±0.3				
ANGLE 角度	±3°				

DRAWN BY & DATE
K. Sakamoto '02/01/15

CHECKED BY & DATE
J. Miyazawa '02/01/15

APPROVED BY & DATE
Y. Ito '02/01/15

CAD FILENAME
53324002.S01

MATERIAL NO.
SEE CHART

DRAWING NO.
SD-53324-002

SHEET NO.
1 OF 1

TITLE:
2.0 WIRE TO BOARD CONN.
WAFER ASS'Y (ST.)

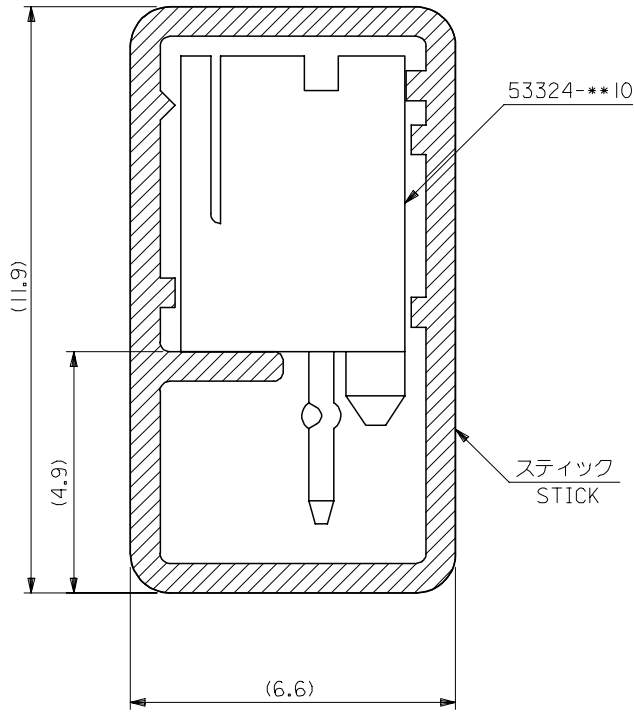
MOLEX INCORPORATED

△ THIS DRAWING CONTAINS INFORMATION THAT IS PROPRIETARY TO MOLEX INCORPORATED AND SHOULD NOT BE USED WITHOUT WRITTEN PERMISSION.

SIZE
B

A 53324002.S01

10 9 8 7 6 5 4 3 2 1



注記
NOTES

1. スティック両端はキャップ止めとする。
BOTH ENDS WITH CAPS.
2. 全 長: 600±2
TOTAL LENGTH
3. 肉 厚: 0.6±0.2
THICKNESS

16	53324-1590	15
18	53324-1490	14
19	53324-1390	13
20	53324-1290	12
22	53324-1190	11
24	53324-1090	10
26	53324-0990	9
28	53324-0890	8
32	53324-0790	7
36	53324-0690	6
42	53324-0590	5
48	53324-0490	4
60	53324-0390	3
75	53324-0290	2
梱包数 QUANTITY	ENG.NO.	種数 CKT.

REVISED EC NO: J2007-3499 DRW: NAKATA 2007/07/06 CHK: M. SOGAYA 2007/07/23 APPR: NUKITA 2007/07/23	GENERAL TOLERANCES (UNLESS SPECIFIED)		DIMENSION STYLE MM ONLY	SCALE 10:1	DESIGN UNITS METRIC	THIRD ANGLE PROJECTION	
	10 UNDER	±0.2	DRAWN BY T. HASHIMOTO	DATE 1992/05/25	TITLE 53324-**10 STICK PACKAGING		
	10 OVER 30 UNDER	±0.25	CHECKED BY Y. YAMAMOTO	DATE 1992/05/25			
	30 OVER	±0.3	APPROVED BY S. YAMADA	DATE 1992/05/25	MOLEX INCORPORATED		
	ANGULAR	±3 °	MATERIAL NO.	DOCUMENT NO.			
DRAFT WHERE APPLICABLE MUST REMAIN WITHIN DIMENSIONS		SIZE A3	SEE CHART		SD-53324-005	1 OF 1	