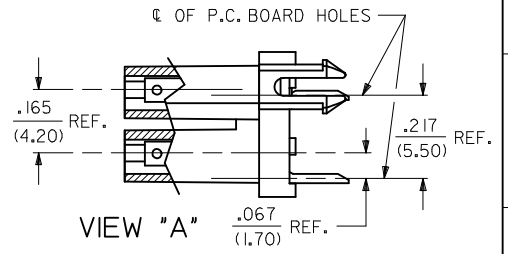


NOTES:

- 1) HOUSING MATERIAL:
 A = NYLON 6/6, UNFILLED U.L. 94V-2, COLOR: NATURAL.
 B = NYLON 6/6, UNFILLED U.L. 94V-0, COLOR: NATURAL.
 TERMINAL MATERIAL: BRASS.
- 2) TERMINAL PLATING:
 A - .000100/(0.00254) MIN. MATTE TIN OVER .000050/(0.00127) MIN. NICKEL OVERALL.
 B - .000030/(0.00076) MIN. SELECT GOLD AND .000100/(0.00254) MIN. SELECT MATTE TIN OVER .000050/(0.00127) MIN. NICKEL OVERALL.
 C - .000050/(0.00127) MIN. SELECT GOLD AND .000100/(0.00254) MIN. SELECT MATTE TIN OVER .000050/(0.00127) MIN. NICKEL OVERALL.
- 3) PRODUCT SPECIFICATION: PS-5556-002
- 4) PACKAGING SPECIFICATION: PK-42385-999.
- 5) PART MATES WITH MINI-FIT JR. PLUG 42475 AND HEADERS 42404, 42440, 43810, 43879, AND 44068.
- 6) DIMENSION TO BE USED FOR ALIGNMENT OF CIRCUIT #1 OF MATING CONNECTOR.
- 7) PHANTOM LINES INDICATE AREAS WHERE TERMINAL STANDOFFS CONTACT P.C. BOARD. NO EXPOSED TRACES OR VIAS ALLOWED NEAR THESE AREAS.
- 8) A MAXIMUM TOLERANCE OF .050/(1.27) ALLOWS FOR 2 POINTS OF ELECTRICAL CONTACT. A MAXIMUM TOLERANCE OF .020/(.51) ALLOWS FOR 4 POINTS OF CONTACT.
- 9) .016 IN/IN OR .016 MM/MM MAX. BOW ALLOWABLE AT DATUM -C-
- 10) IT IS RECOMMENDED TO USE THE 42475 SERIES MATING PART NUMBER WITHOUT TERMINALS TO AID IN PCB INSERTION. INSERT THE 42416 PART INTO THE 42475 PART AND THEN INSERT INTO THE PCB.
- 11) THIS CONNECTOR NOT DESIGNED FOR CURRENT SHARING.
- 12) CONNECTOR ASSEMBLIES ARE NOT TO BE MATED OR UNMATED WHILE CIRCUITS ARE LIVE.
- 13) WHEN THIS PRODUCT IS USED IN A BLIND MATING APPLICATION, THE SYSTEM LEVEL DESIGN MUST INCORPORATE GUIDANCE SO THE CONNECTORS ARE WITHIN THE CAPTURE ENVELOPE (UP TO (.100/2.54) MISALIGNMENT) OF THE FLANGES ON THE HEADER OR PLUG HOUSING AND CAN THUS ALIGN THEMSELVES AS THEY COME TOGETHER. FLOAT IS ALSO REQUIRED IN THE OVERALL DESIGN TO ALLOW THE PCB RECEPTACLE OR ITS MATE TO MOVE INTO A STRESS-FREE POSITION AFTER MATING. IN BOARD TO BOARD APPLICATIONS ONLY ONE HEADER IS ALLOWED PER PC BOARD.
- 14) PARTS CONFORM TO CLASS 'B' REQUIREMENTS OF COSMETIC SPECIFICATION PS-45499-002.

CIRCUIT SIZE	DIM. "A"	DIM. "B"	DIM. "C"
2	—	.21 (5.4)	.370 (9.40)
4	.165 (4.20)	.38 (9.6)	.535 (13.60)
6	.331 (8.40)	.54 (13.8)	.701 (17.80)
8	.496 (12.60)	.71 (18.0)	.866 (22.00)
10	.661 (16.80)	.87 (22.2)	1.031 (26.20)
12	.827 (21.00)	1.04 (26.4)	1.197 (30.40)
14	.992 (25.20)	1.20 (30.6)	1.362 (34.60)
16	1.157 (29.40)	1.37 (34.8)	1.528 (38.80)
18	1.323 (33.60)	1.54 (39.0)	1.693 (43.00)
20	1.488 (37.80)	1.70 (43.2)	1.858 (47.20)
22	1.654 (42.00)	1.87 (47.4)	2.024 (51.40)
24	1.819 (46.20)	2.03 (51.6)	2.189 (55.60)

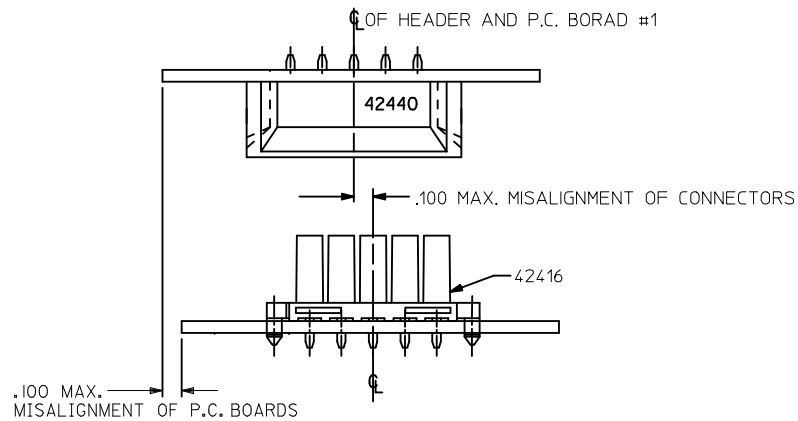


ADD 0007	DESCRIPTION	QUALITY SYMBOLS
EC NO: UCP2017-1756	2017/02/09	▽=0
DRWN: JUILLES	2017/02/09	▽=0
CHKD: BELL	2017/02/15	▽=0
APPR: FSMITH		
P8	RELY	

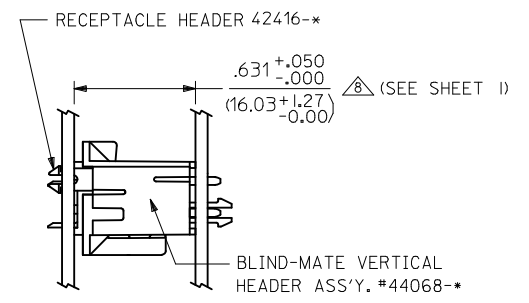
GENERAL TOLERANCES (UNLESS SPECIFIED)	
mm	INCH
4 PLACES ±	± .10
3 PLACES ±	± .010
2 PLACES ±	± .025 ± .015
1 PLACE ±	± .038 ± .---
0 PLACE ±	±
ANGULAR ±1/2°	
DRAFT WHERE APPLICABLE MUST REMAIN WITHIN DIMENSIONS	

DIMENSION STYLE	
IN/MM	
DRAWN BY	DATE
RJF	01-25-89
CHECKED BY	DATE
BAP	01-25-89
APPROVED BY	DATE
RAS	01-25-89
MATERIAL NO.	
SEE CHART	
SIZE C	

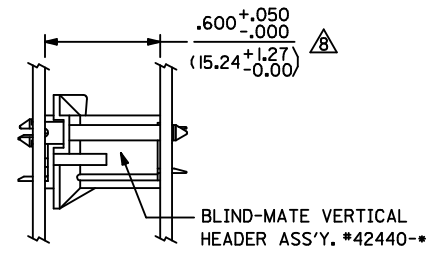
SCALE	DESIGN UNITS	THIRD ANGLE PROJECTION
4:1	METRIC	☉
SELECTIVELY LOADED RECEPTACLE HEADER ASSY (MINI-FIT JR. SERIES)		
molex		
MATERIAL NO.	DOCUMENT NO.	SHEET NO.
SDA-42416-*		1 OF 3
THIS DRAWING CONTAINS INFORMATION THAT IS PROPRIETARY TO MOLEX. INCORPORATED AND SHOULD NOT BE USED WITHOUT WRITTEN PERMISSION		



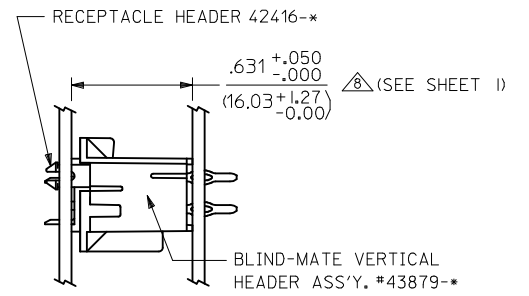
ALIGNMENT TOLERANCE FOR .100 MAX. BOARD-TO-BOARD MISALIGNMENT
(NO CONNECTOR FLOAT)



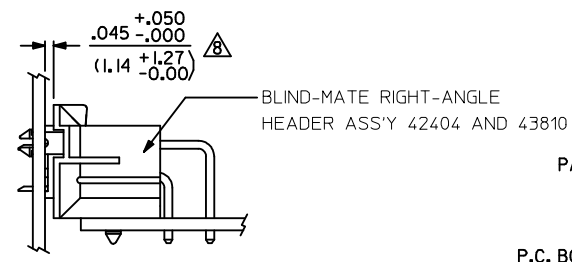
P.C.BOARD-TO-P.C.BOARD APPLICATION #5



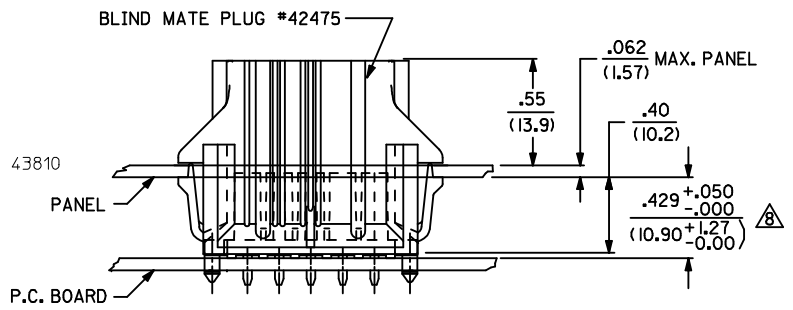
PANEL-TO-P.C.BOARD APPLICATION #1



P.C.BOARD-TO-P.C.BOARD APPLICATION #4



PANEL-TO-P.C.BOARD APPLICATION #2



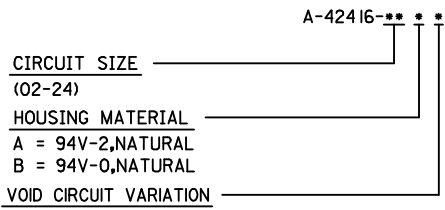
PANEL-TO-P.C. BOARD APPLICATION #3

SEE SHEET 1 IEC NO: UCP2017-1756 DRWN: JUILLES CHKD: JELL APPR: FSMITH P8	QUALITY SYMBOLS ∇=0 ∇=0 ∇=0	GENERAL TOLERANCES (UNLESS SPECIFIED)		DIMENSION STYLE IN/MM		SCALE 4:1	DESIGN UNITS METRIC	THIRD ANGLE PROJECTION	
		mm	INCH	DRAWN BY	DATE	SELECTIVELY LOADED RECEPTACLE HEADER ASSY (MINI-FIT JR. SERIES) molex DOCUMENT NO. SDA-42416-* SHEET NO. 2 OF 3			
		4 PLACES ± ---	± ---	RJF	01-25-89				
		3 PLACES ± ---	± .010	CHECKED BY	DATE				
2 PLACES ± 0.25	± .015	BAP	01-25-89						
1 PLACE ± 0.38	± ---	APPROVED BY	DATE	THIS DRAWING CONTAINS INFORMATION THAT IS PROPRIETARY TO MOLEX INCORPORATED AND SHOULD NOT BE USED WITHOUT WRITTEN PERMISSION					
0 PLACE ±	±	RAS	01-25-89						
ANGULAR ±1/2°									
DRAFT WHERE APPLICABLE MUST REMAIN WITHIN DIMENSIONS		SEE CHART							

PART NO.	ENG. NO.	CKT. SIZE	HSG. MAT'L.	TERMINAL PLATING REQUIRED AT EACH CIRCUIT LOCATION: V = VOIDED CIRCUIT																							
				1	2	3	4	5	6	7	8	9	10	11	12	13	14	15	16	17	18	19	20	21	22	23	24
15-24-8141	A-42416-14BA	14	94V-0	V	A	V	A	V	A	V	A	V	V	A	V	V	A	-	-	-	-	-	-	-	-	-	
15-24-8145	A-42416-14BB	14	94V-0	A	V	V	A	V	A	V	V	A	V	A	V	V	A	-	-	-	-	-	-	-	-	-	
15-24-8151	A-42416-14BC	14	94V-0	A	V	V	A	V	A	A	V	A	V	A	V	A	A	-	-	-	-	-	-	-	-	-	
15-24-8152	A-42416-14BD	14	94V-0	A	A	V	A	V	A	A	A	A	V	A	V	A	A	-	-	-	-	-	-	-	-	-	
42416-0001	-----	06	94V-2	A	V	A	V	A	V	-	-	-	-	-	-	-	-	-	-	-	-	-	-	-	-	-	
42416-0002	-----	10	94V-2	V	A	V	A	V	A	V	A	A	A	-	-	-	-	-	-	-	-	-	-	-	-	-	
42416-0003	-----	06	94V-0	A	V	A	A	V	A	-	-	-	-	-	-	-	-	-	-	-	-	-	-	-	-	-	
42416-0004	-----	24	94V-2	V	V	A	A	A	A	A	A	A	A	A	A	A	A	A	A	A	A	A	A	A	A	A	
42416-0005	-----	14	94V-0	A	V	A	V	A	V	A	A	V	A	V	A	V	A	-	-	-	-	-	-	-	-	-	
42416-0006	-----	18	94V-0	A	V	V	A	V	V	A	A	A	A	V	V	A	V	V	A	A	A	-	-	-	-	-	
42416-0007	-----	4	94V-0	C	C	C	V	-	-	-	-	-	-	-	-	-	-	-	-	-	-	-	-	-	-	-	

SEE NOTE 2 FOR PLATING
A = MATTE TIN
B = 30μ IN GOLD
C = 50μ IN GOLD

LEGEND:



SEE SHEET 1 EC NO: UCP2017-1756 DRWN: JUILLES 2017/02/09 CHKD: JELL 2017/02/09 APPR: FSMITH 2017/02/15 P8	QUALITY SYMBOLS ▽=0 ▽=0 ▽=0	GENERAL TOLERANCES (UNLESS SPECIFIED) mm INCH 4 PLACES ±.--- ±.--- 3 PLACES ±.--- ±.010 2 PLACES ±0.25 ±.015 1 PLACE ±0.38 ±.--- 0 PLACE ± ±	DIMENSION STYLE IN/MM DRAWN BY DATE RJV 01-25-89 CHECKED BY DATE BAP 01-25-89 APPROVED BY DATE RAS 01-25-89	SCALE 1:1 DESIGN UNITS METRIC THIRD ANGLE PROJECTION	TITLE SELECTIVELY LOADED RECEPTACLE HEADER ASSY (MINI-FIT JR. SERIES) molex DOCUMENT NO. SDA-42416-* SHEET NO. 3 OF 3	
	ANGULAR ±1/2° DRAFT WHERE APPLICABLE MUST REMAIN WITHIN DIMENSIONS		MATERIAL NO. SEE CHART			
	THIS DRAWING CONTAINS INFORMATION THAT IS PROPRIETARY TO MOLEX INCORPORATED AND SHOULD NOT BE USED WITHOUT WRITTEN PERMISSION					