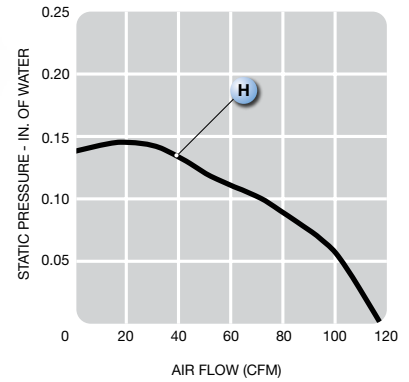
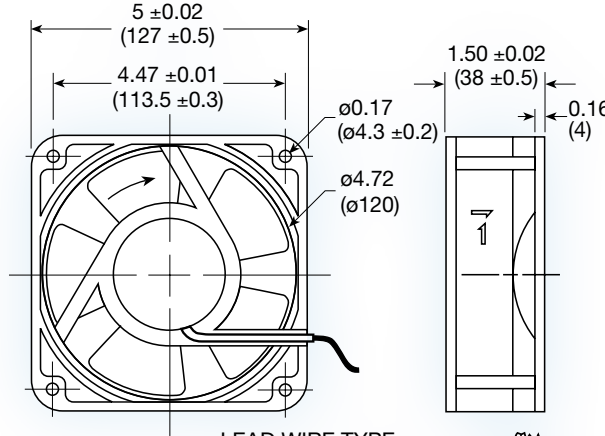
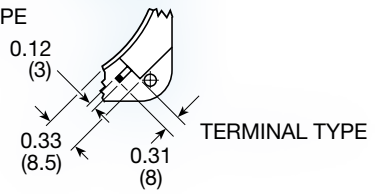


UF13A series



(127 x 127 x 38 mm)
5.0 x 5.0 x 1.5 inches

LEAD WIRE TYPE



TERMINAL TYPE

- Operating voltage: 115 or 230 VAC

- Construction: aluminum die cast frame;
UL94V-0 PBT impeller

- Bearing option: ball bearing or sintered bronze sleeve

- Motor: shaded pole

- Air Flow: exhaust over struts

- Connection: terminal or 22 AWG lead wire

- Protection: impedance

- Option: IP55; IP55 + salt fog

Model No.	Rated Voltage V	Freq. HZ	Input Power W	Rated Cur. A	Locked Cur. A	Speed RPM	Air Volume		Max. Static Pressure (H ₂ O)		Sound Noise dbA	Weight kg
							M ³ /Min.	CFM	MM	INCH		
UF13A12-__H	115	60	12	0.16	0.23	3,000	3.4	120	3.5	0.14	50	0.55
UF13A23-__H	230	60	15	0.09	0.11	3,000	3.4	120	3.5	0.14	50	0.55

