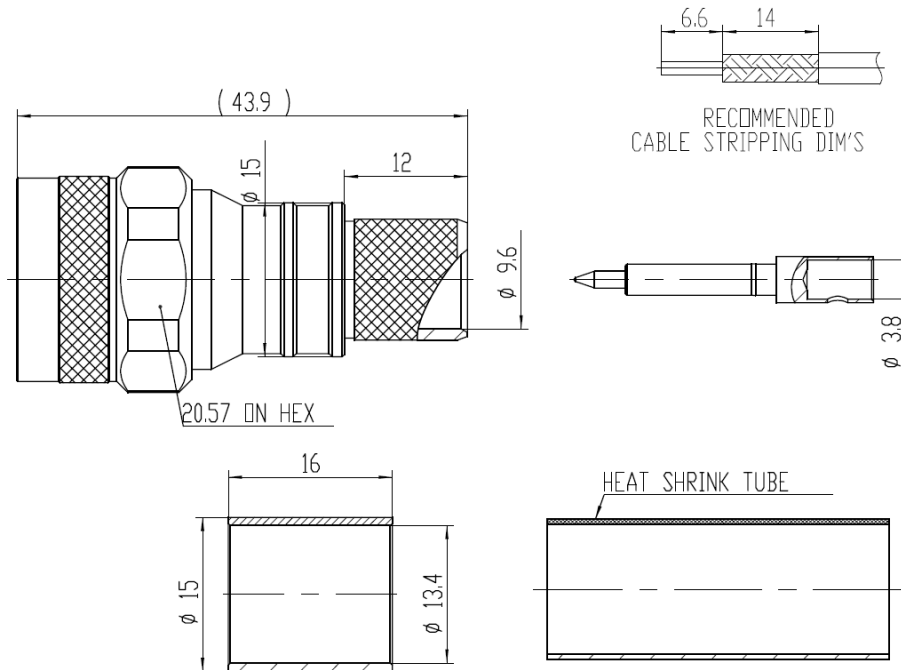


NOTICE OF PROPRIETARY RIGHTS THIS DOCUMENT CONTAINS CONFIDENTIAL TECHNICAL DATA, INCLUDING TRADE SECRETS, PROPRIETARY TO TIMES MICROWAVE SYSTEMS. DISCLOSURE OF THIS DATA IS EXPRESSLY CONDITIONED UPON YOUR ASSENT THAT ITS USE IS LIMITED TO USE WITHIN YOUR COMPANY ONLY. ANY OTHER USE IS STRICTLY PROHIBITED WITHOUT THE PRIOR WRITTEN CONSENT OF TIMES MICROWAVE SYSTEMS.

SYM	REVISION DESCRIPTION	DFTM	DATE	APPD	DATE
A	RELEASED FOR PRODUCTION	K.A.M.	1/21/10	J.D.B.	3/5/10
B	CHANGED PER CDC #42295	N.N.N.	5/26/15	J.D.B.	5/26/15
C	CHANGED PER CDC #48422	N.N.N.	2/13/18	J.D.B.	2/13/18
D	CHANGED PER CDC #49186	D.J.H.	5/30/18	D.A.P.	5/30/18



REFERENCE STANDARD

- ELECTRIC PERFORMANCE**
 - NOMINAL IMPEDANCE(Ω)
 - FREQUENCY RANGE
 - VSWR
 - INSERT LOSS(dB)
 - INSULATION RESISTANCE(M Ω)
 - DIELECTRIC WITHSTANDING VOLTAGE(V)
 - CONTACT RESISTANCE(m Ω)

IEC61169-16

- 50
- DC-6GHz
- ≤ 1.25
- ≤ 0.1 (DC~3GHz)
- ≥ 5000
- 2500
- OUTER CONDUCTOR <0.4
- INNER CONDUCTOR<0.8

- MECHANICAL PERFORMANCE**

- NUT TORQUE
- (NUT)WHORL PULL
- TENSILE FORCE(CABLE-CONNECTOR)
- TORSION(CABLE-CONNECTOR)

- 5N.m
- 500N
- 400N
- 2N.m

- MATERIAL AND PLATING**

- INNER CONDUCTOR
- OUTER CONDUCTOR
- NUT
- FERRULE
- INSULATOR
- GASKET

- BRASS Au50 MICRO INCHES
- BRASS ALBALDY 100 MICRO INCHES
- BRASS ALBALDY 100 MICRO INCHES
- COPPER ALBALDY 100 MICRO INCHES
- PTFE
- SILICONE RUBBER

- ENVIRONMENT**

- TEMP.RANGE
- CLIMATIC CLASS
- THERMAL SHOCK
- VIBRATION
- SHOCK

- 40 $^{\circ}$ C~+125 $^{\circ}$ C
- IEC 60068 65/165/21
- MIL-STD 202G, Meth.107, Cond.B
- MIL-STD 202G, Meth.204, Cond.B
- MIL-STD 202G, Meth.213, Cond.I

5. ASSEMBLY: INNER CONDUCTOR SOLDERED AND OUTER CONDUCTOR CRIMPED

MATERIAL:	UNLESS OTHERWISE SPECIFIED		DFTM. K. A. M.	TIMES MICROWAVE SYSTEMS	
	ALL DIMENSIONS ARE IN mm		DATE 1/21/10		
USED ON: ROV2	TOLERANCES ON DECIMALS		CHKD. J. D. B.	TC-500-NMH-X N MALE FOR LMR-500	
	.X \pm 0.2 .XX \pm 0.1		DATE 3/5/10		
	ANGLES \pm 3		APPD. J. D. B.		
SCALE: ~	DWG. SIZE A	DO NOT SCALE DRAWING	CODE IDENT 68999	DATE 3/5/10	SHT 1 of 1 SD3190-2514 REV D