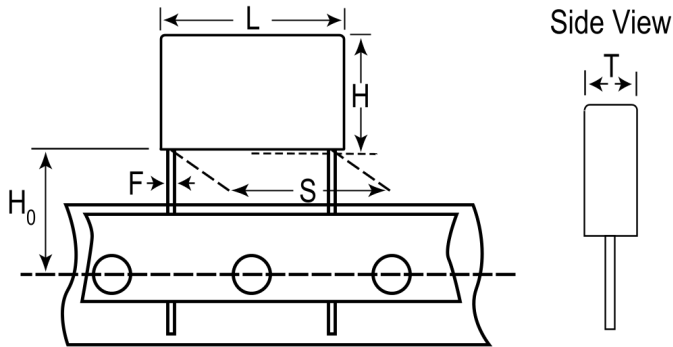


PME271Y447MR19T0

Aliases (P271HL472M250L)

PME271Y/P271, Film, Metallized Paper, Safety, 4700 pF, 20%, 250 VAC (Y2), 1000 VDC, 100°C, Lead Spacing = 10.2mm



Click [here](#) for the 3D model.

Dimensions

L	13.5mm MAX
H	10.5mm MAX
T	5.1mm MAX
S	10.2mm +/-0.4mm
H0	18.5mm +/-0.5mm
F	0.6mm +/-0.05mm

Packaging Specifications

Packaging	T&R
Packaging Quantity	600

General Information

Series	PME271Y/P271
Dielectric	Metallized Paper
Style	Radial
Features	EMI Safety
RoHS	Yes
Lead	Wire Leads
Safety Class	Y2
Qualifications	ENEC, UL, cUL, CQC
AEC-Q200	No
THB Performance	No
Construction	Molded
Component Weight	1.08 g
Miscellaneous	SRF = 24 MHz.

Specifications

Capacitance	4700 pF
Capacitance Tolerance	20%
Voltage AC	250 VAC (Y2)
Voltage DC	1000 VDC
Temperature Range	-40/+100°C
Rated Temperature	100°C
Dissipation Factor	1.3% 1kHz
Insulation Resistance	12 GOhms
Max dV/dt	2000 V/us