

Customer Information Sheet

DRAWING No.: M30-600XX46R

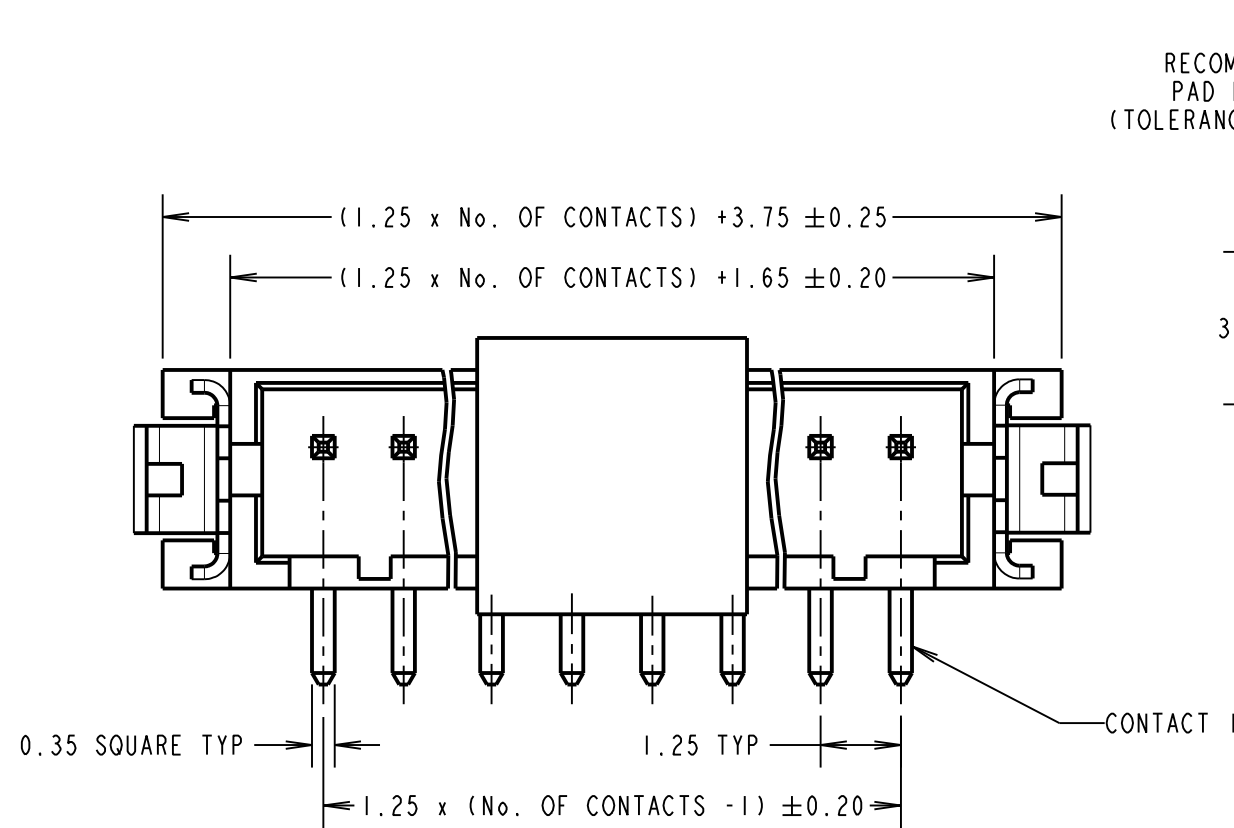
IF IN DOUBT - ASK

©

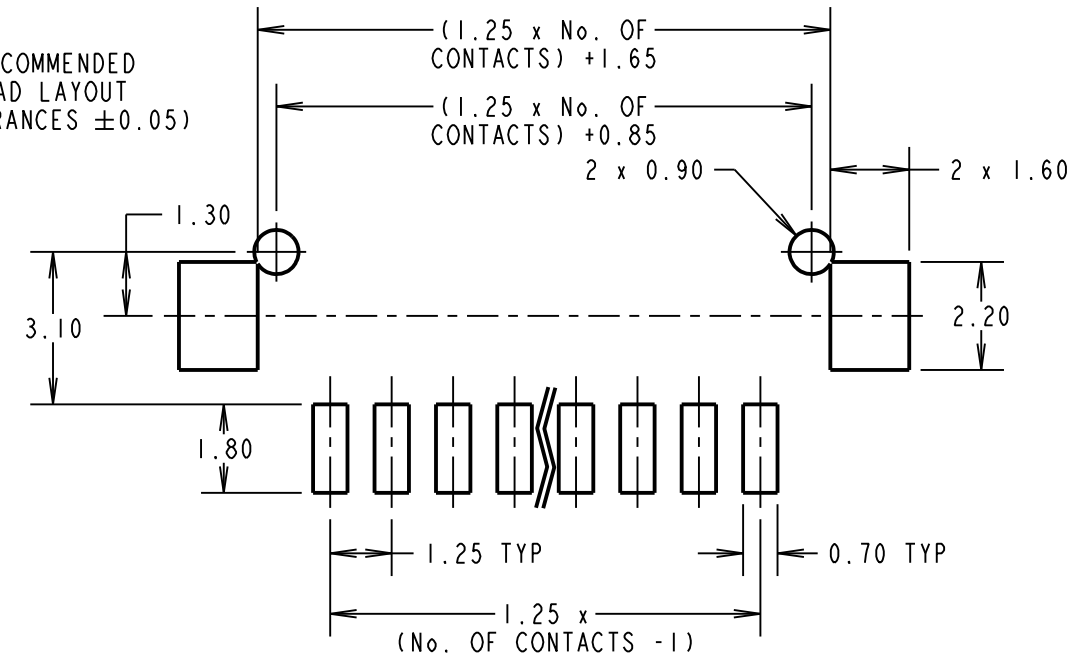
NOT TO SCALE

THIRD ANGLE PROJECTION

ALL DIMENSIONS IN mm



RECOMMENDED
PAD LAYOUT
(TOLERANCES ± 0.05)



SPECIFICATIONS:

MATERIAL:

MOULDING = PA6T/66 NATURAL, UL94V-0
CONTACT = BRASS
RETAINER = PHOSPHOR BRONZE

FINISH:

CONTACT = 2.03 μ - 2.54 μ 100% TIN OVER 0.76 μ NICKEL
RETAINER = 2.03 μ - 2.54 μ 100% TIN OVER 0.76 μ NICKEL

ELECTRICAL:

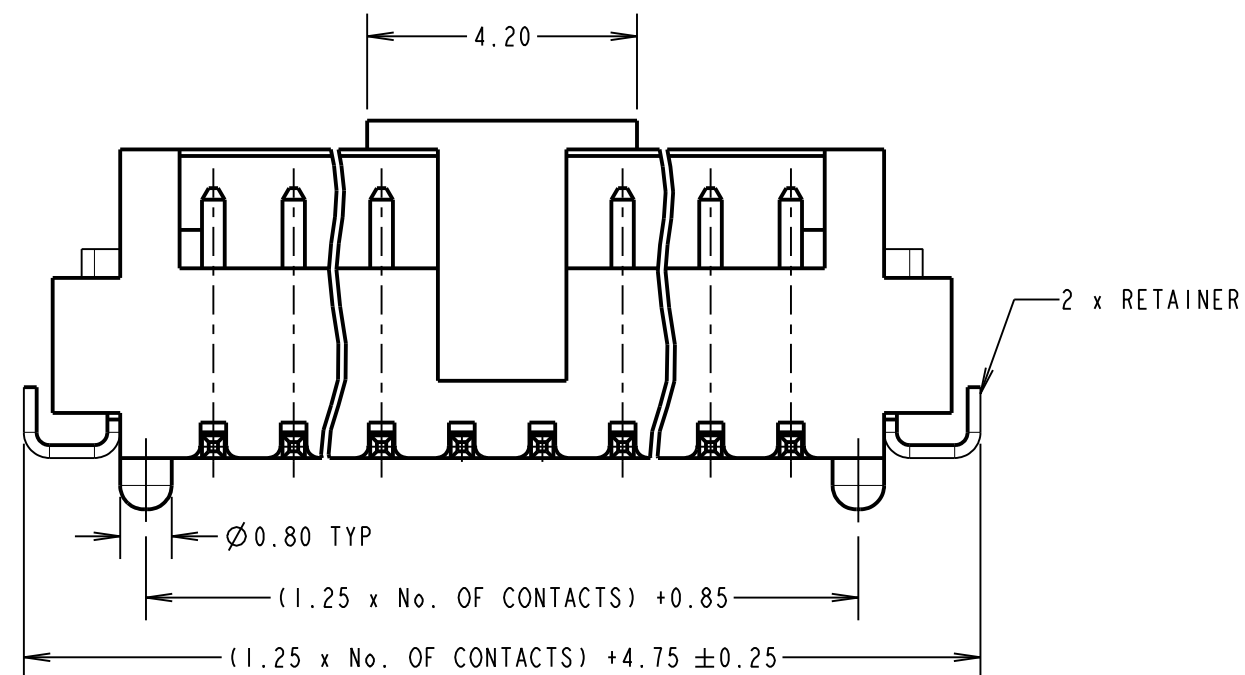
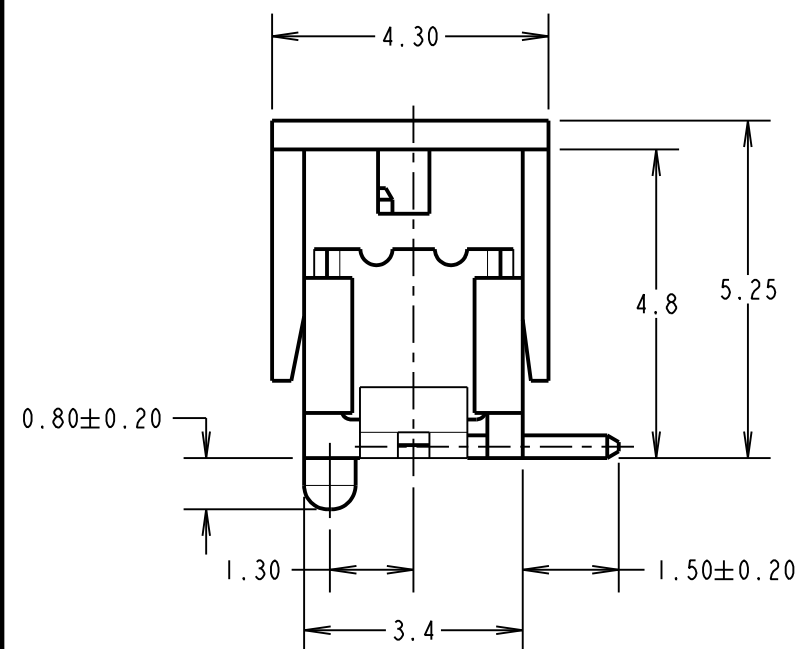
CURRENT RATING = 1A AC/DC
VOLTAGE RATING = 150V AC/DC
CONTACT RESISTANCE = 30m Ω MAX
INSULATION RESISTANCE = 500 M Ω MIN
DIELECTRIC WITHSTANDING VOLTAGE = 500V AC FOR ONE MINUTE

ENVIRONMENTAL:

TEMPERATURE RANGE = -25° TO +85°C

PACKING: TAPE AND REEL

FOR COMPLETE SPECIFICATION, SEE COMPONENT SPECIFICATION C025XX (LATEST ISSUE)



ORDER CODE:

M30-600XX46R

No. OF CONTACTS

02 TO 15

FINISH:

46 = 100% TIN

MSP	8	11.08.17	20667
-----	---	----------	-------

NAME	ISS.	DATE	C/NOTE
------	------	------	--------

APPROVED: M.PERREN

CHECKED: S.BENNETT

DRAWN: JM BROOKES

CUSTOMER REF.:

ASSEMBLY DRG:

NOTES:

- FOR REELING DETAILS SEE PAGE 4.
- MATES WITH M30-1050046 AND M30-1060046 CRIMP CONTACTS.
MATES WITH M30-110XX00 CRIMP MOULDING.
- COPLANARITY OF CONTACTS AND RETAINER TO BE 0.1mm MAX.

HARWIN

www.harwin.com
technical@harwin.com

THIS DRAWING AND ANY INFORMATION OR DESCRIPTIVE MATTER SET OUT HEREON ARE CONFIDENTIAL AND COPYRIGHT PROPERTY OF THE HARWIN GROUP AND MUST NOT BE DISCLOSED, LOANED, COPIED OR USED FOR MANUFACTURING, TENDERING OR FOR ANY OTHER PURPOSE WITHOUT THEIR WRITTEN PERMISSION.

TOLERANCES

X. = ± 1 mm
X.X = ± 0.25 mm
X.XX = ± 0.10 mm
X.XXX = ± 0.01 mm
ANGLES = $\pm 5^\circ$
UNLESS STATED

MATERIAL:

SEE ABOVE

FINISH:

SEE ABOVE

S/AREA:

mm²

TITLE: 1.25mm PITCH SIL
SMT BOARD MOUNT CONNECTOR
(TAPE AND REEL)

DRAWING NUMBER:

M30-600XX46R

SHT
3 OF 4

Customer Information Sheet

DRAWING No.: M30-600XX46R

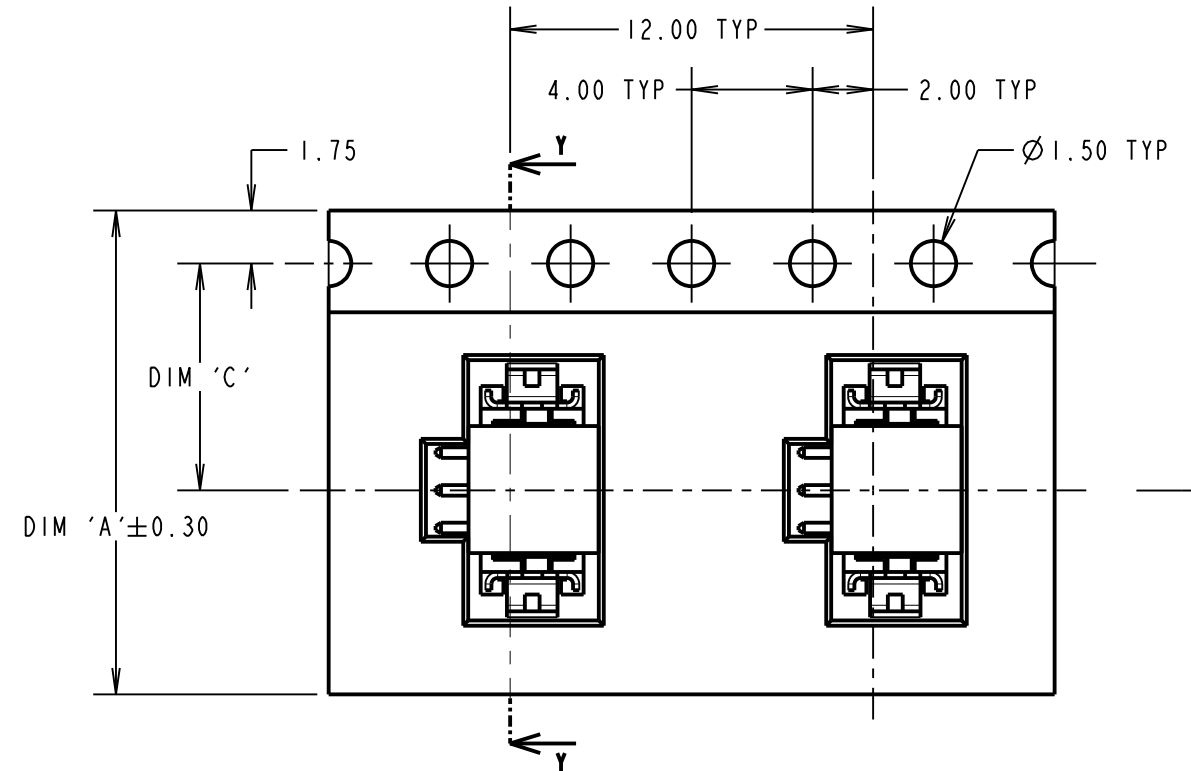
IF IN DOUBT - ASK

©

NOT TO SCALE

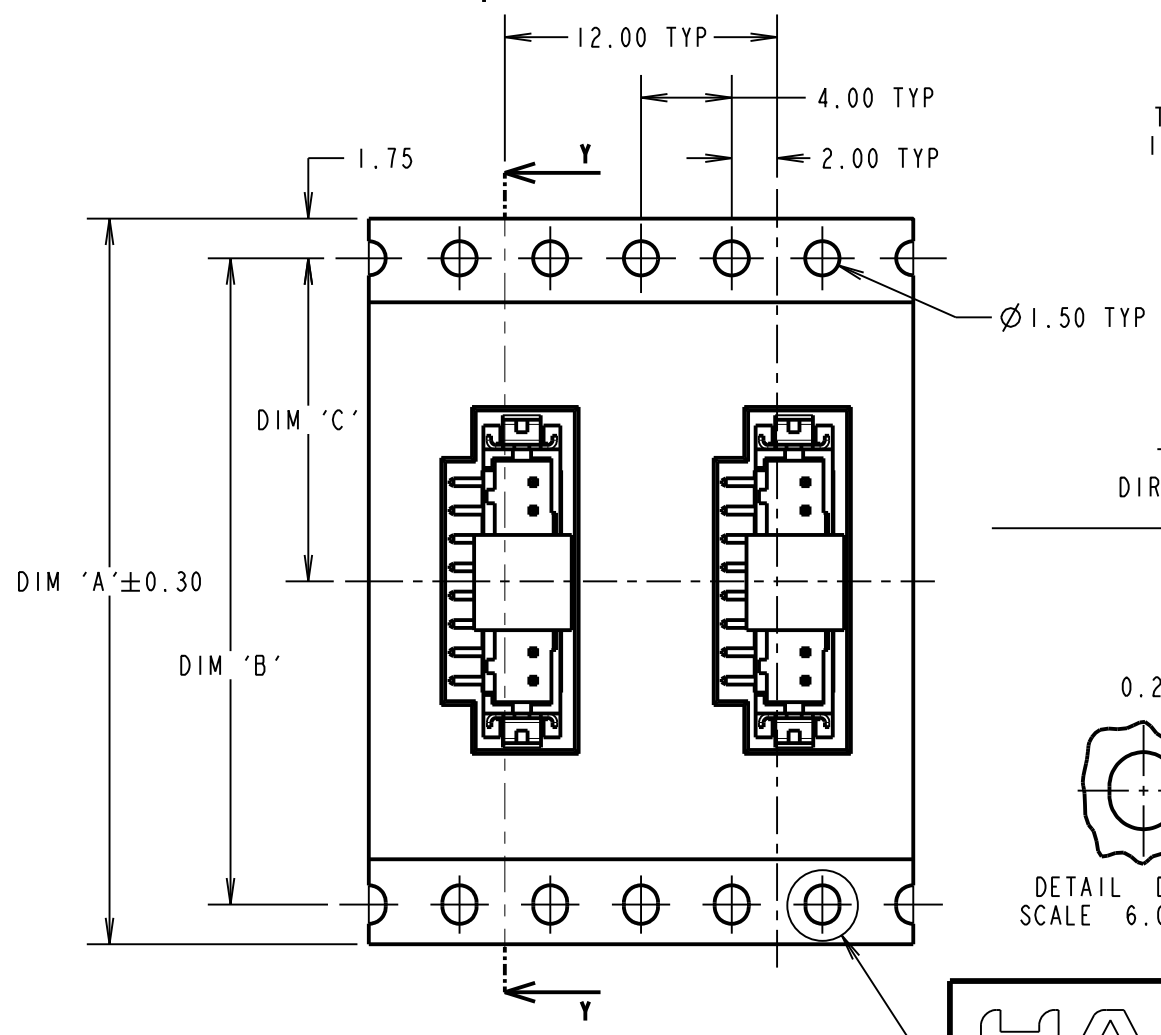
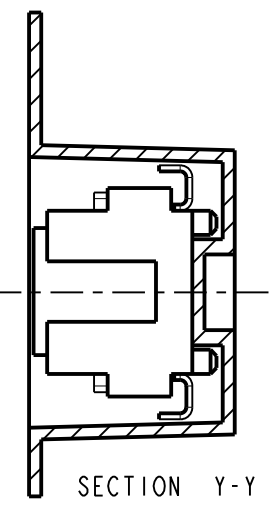
THIRD ANGLE PROJECTION

ALL DIMENSIONS IN mm



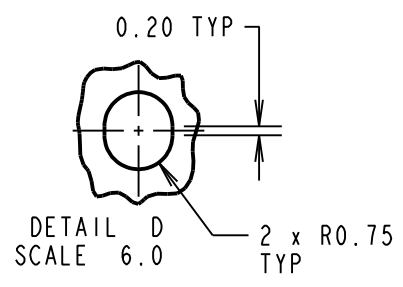
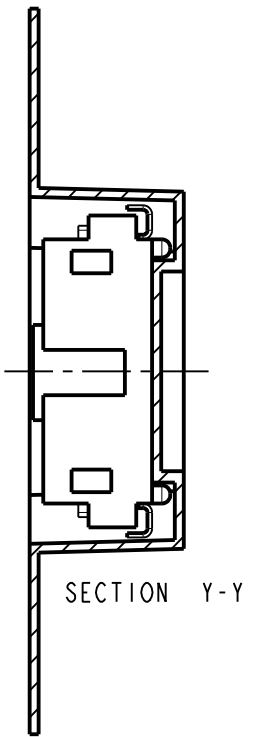
TAPE DETAILS FOR 2 TO 9 CONTACTS

TAPE DIRECTION



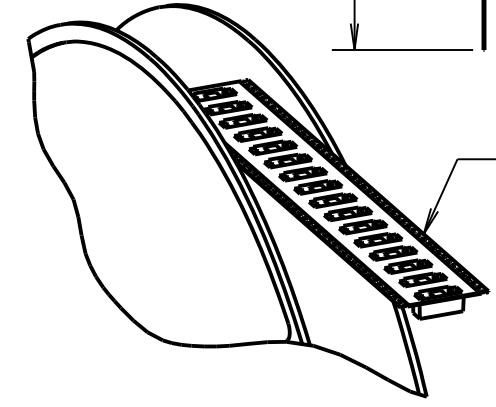
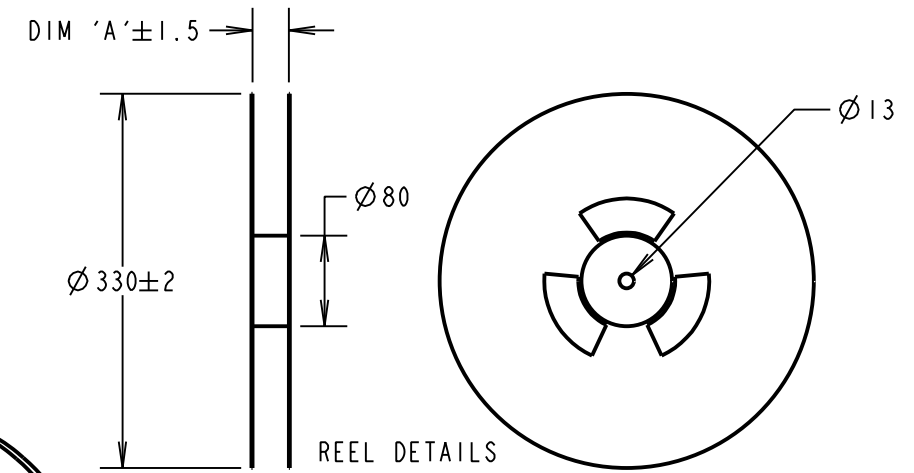
TAPE DETAILS FOR 10 TO 15 CONTACTS

TAPE DIRECTION



SEE DETAIL D

No. OF WAYS	DIM 'A'	DIM 'B'	DIM 'C'	QTY/REEL
2	16	---	7.5	1000
3	16	---	7.5	1000
4	24	---	11.5	1000
5	24	---	11.5	1000
6	24	---	11.5	1000
7	24	---	11.5	1000
8	24	---	11.5	1000
9	24	---	11.5	1000
10	32	28.4	14.2	1000
11	32	28.4	14.2	1000
12	32	28.4	14.2	1000
13	32	28.4	14.2	1000
14	32	28.4	14.2	1000
15	32	28.4	14.2	1000



- NOTES:
 1. FOR CONNECTOR DIMENSIONS, SEE SHEET 3.
 2. ALL TOLERANCES ARE ±0.15 UNLESS OTHERWISE STATED.

MSP	8	11.08.17	20667
NAME	ISS.	DATE	C/NOTE
APPROVED:		M. PERREN	
CHECKED:		S. BENNETT	
DRAWN:		JM BROOKES	
CUSTOMER REF.:			
ASSEMBLY DRG.:			

HARWIN
 www.harwin.com
 technical@harwin.com

THIS DRAWING AND ANY INFORMATION OR DESCRIPTIVE MATTER SET OUT HEREON ARE CONFIDENTIAL AND COPYRIGHT PROPERTY OF THE HARWIN GROUP AND MUST NOT BE DISCLOSED, LOANED, COPIED OR USED FOR MANUFACTURING, TENDERING OR FOR ANY OTHER PURPOSE WITHOUT THEIR WRITTEN PERMISSION.

TOLERANCES

X	= ±1mm
X.X	= ±0.50mm
X.XX	= ±0.10mm
X.XXX	= ±0.01mm

ANGLES = ±5°
UNLESS STATED

MATERIAL:
SEE SHEET 3

FINISH:
SEE SHEET 3

S/AREA:
mm²

TITLE: 1.25mm PITCH SIL SMT BOARD MOUNT CONNECTOR (TAPE AND REEL)

DRAWING NUMBER: M30-600XX46R

SHT 4 OF 4