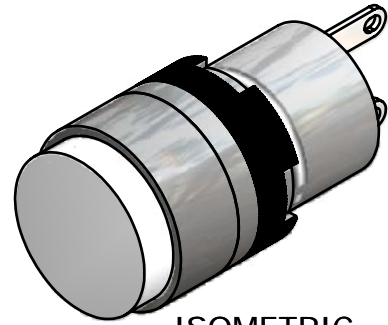
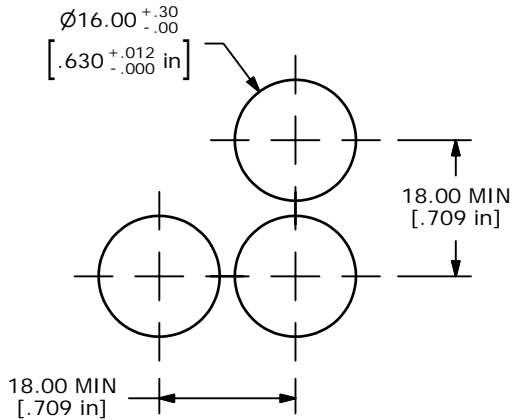
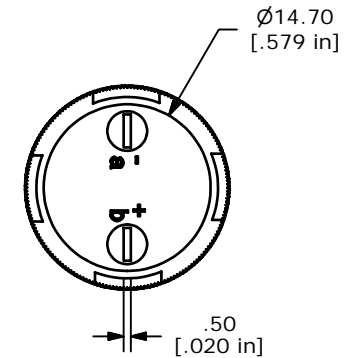
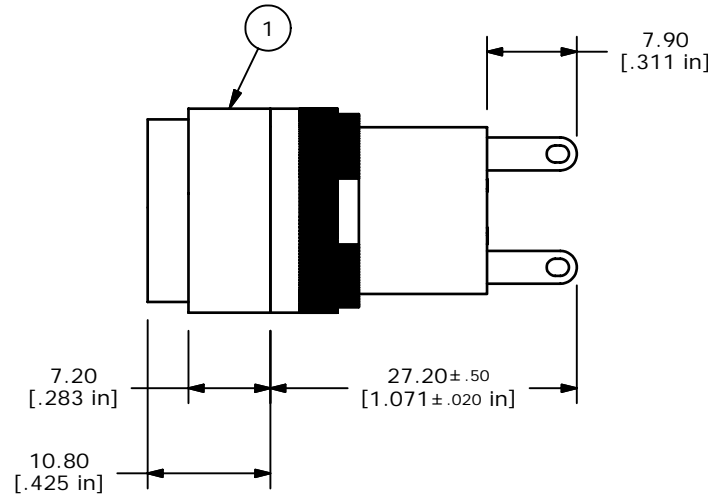
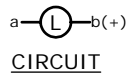
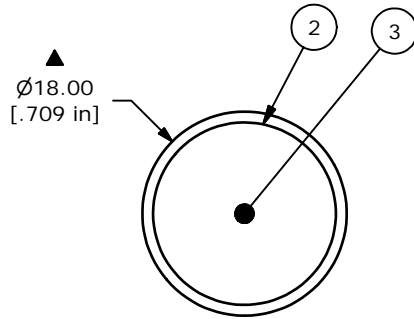


PARTS LIST				
ITEM	QTY	PART NUMBER	DESCRIPTION	
1	1	F040003	L16PL10 BODY	
2	1	F050113	50-001-13 WHITE FLAT TRANSPARENT LENS	
3	1	F050419	50-004-19 GREEN 12V LAMP	



ISOMETRIC

RECOMMENDED PANEL MOUNTING



- NOTE:
1. ALL DIMENSIONS IN MM [INCH]
  2. GENERAL TOLERANCE: X.X=±0.4  
X.XX=±0.25
  3. TERMINAL NUMBERS FOR REF ONLY
  4. OPERATING TEMP: -25°C to +55°C
  5. STORAGE TEMP: -40°C TO +85°C
  - ▲6. LAMP VOLTAGE: 12VDC LED
  7. ▲ DENOTES CRITICAL PARAMETER.
  8. PACKAGE: BOX/20 PER BOX
  9. 2002/95/EC (ROHS) COMPLIANT



A	17165	RELEASED FOR PRODUCTION	4/9/07	TN
REV	PCR NO	DESCRIPTION	DATE	BY

TITLE L16PLR10JGRNWHT				
SCALE	DATE	DR	DWG	REV
1.5:1	4/9/2007	TN	XF0714P	A

THE INFORMATION CONTAINED IN THIS DOCUMENT IS PROPRIETARY TO E-SWITCH AND IS NOT TO BE COPIED OR TRANSFERRED