

Customer Information Sheet

DRAWING No.: G125-FCXXX05F0-XXXXF0

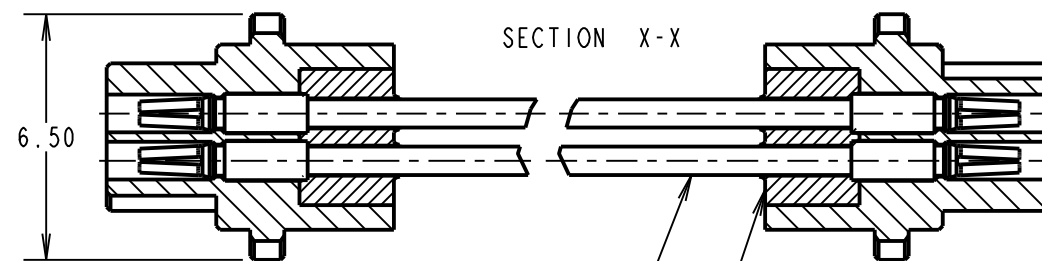
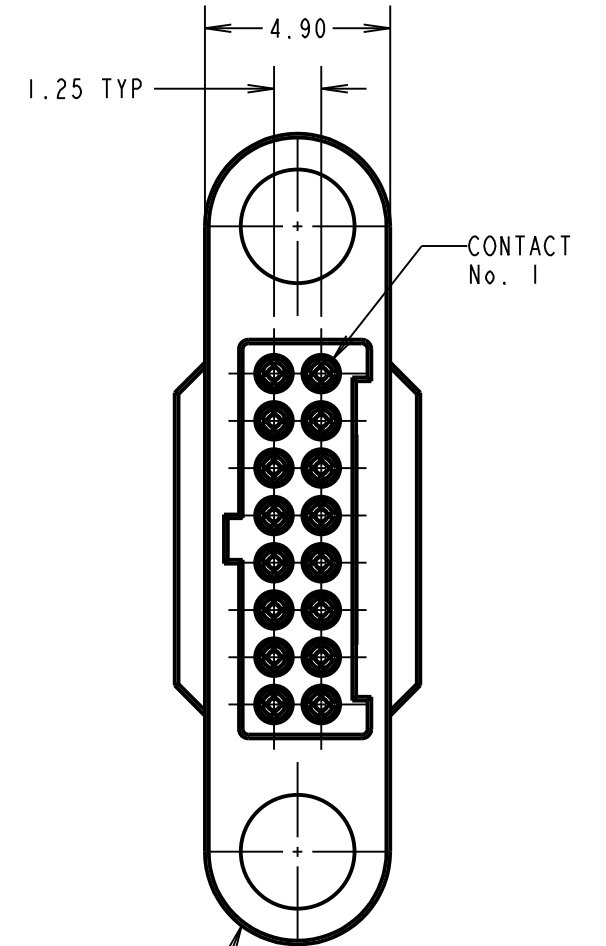
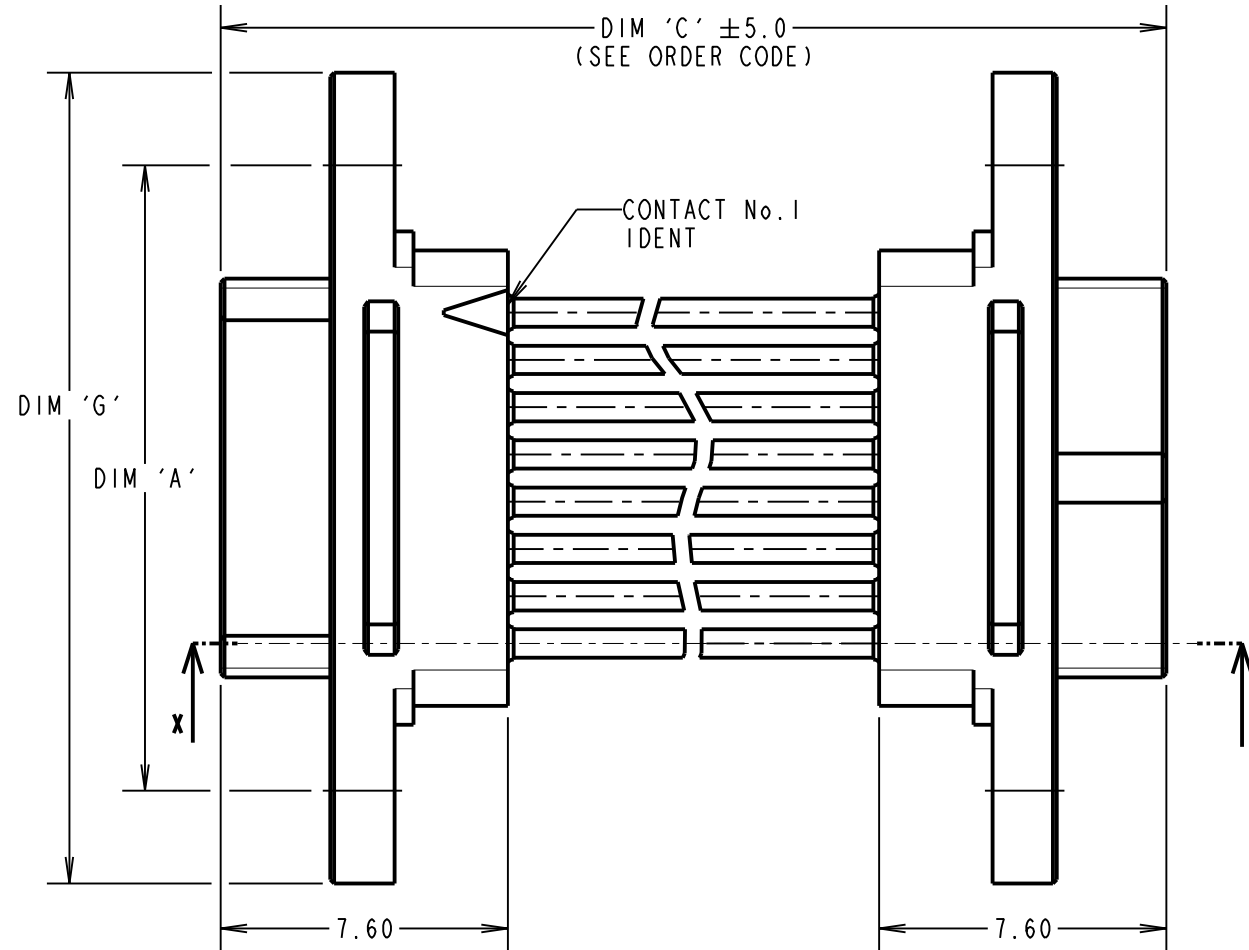
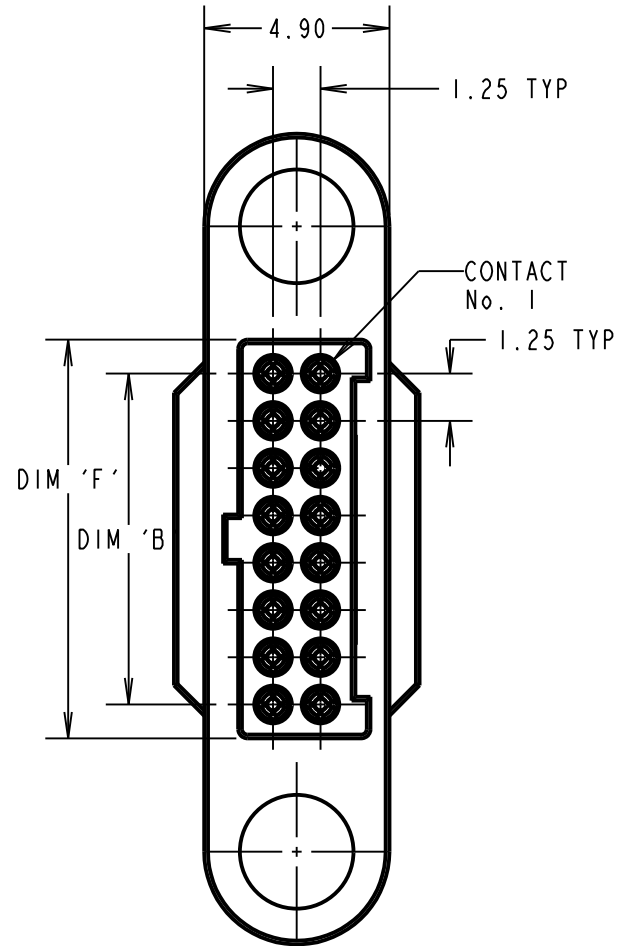
IF IN DOUBT - ASK

©

NOT TO SCALE

THIRD ANGLE PROJECTION

ALL DIMENSIONS IN mm



PATENTED TECHNOLOGY

NOTES:

- CABLE ASSEMBLIES BULK PACKED IN BAGS.
- CUSTOM LENGTH CABLE ASSEMBLIES CAN BE PRODUCED FROM 60mm TO 9999mm.
- FOR COMPLETE SPECIFICATION, SEE COMPONENT SPECIFICATIONS C049XX AND C125XX (LATEST ISSUES).
- WIRING OF CONNECTOR:
CONTACT 1 TO CONTACT 1,
CONTACT 2 TO CONTACT 2, ETC.

WHITE PTFE WIRE: SEE C049XX COMPONENT SPECIFICATION FOR WIRE TYPE
SEE ORDER CODE FOR GAUGE

POTTING COMPOUND, SEE C049XX COMPONENT SPECIFICATION

ORDER CODE:

G125-FCXXX05F0-XXXXF0

26 AWG = 1
28 AWG = 2

DIM 'C' LENGTH:
0060 = 60mm MIN
9999 = 9999mm MAX

TOTAL No. OF CONTACTS:
06, 10, 12, 16,
20, 26, 34, 50

DIMENSION	MEASUREMENT
DIM 'A'	(TOTAL No. OF CONTACTS - 2) x 0.625 + 7.80
DIM 'B'	(TOTAL No. OF CONTACTS - 2) x 0.625 ± 0.20
DIM 'F'	(TOTAL No. OF CONTACTS - 2) x 0.625 + 1.80
DIM 'G'	(TOTAL No. OF CONTACTS - 2) x 0.625 + 12.7

EXAMPLE PART No.

12 CONTACT CONNECOTRS WITH 150mm OF 26AWG WIRE =
G125-FC11205F0-0150F0
50 CONTACT CONNECTORS WITH 450mm OF 28AWG WIRE =
G125-FC25005F0-0450F0

MR	4	20.11.20	30101
NAME	ISS.	DATE	CN/CO
APPROVED: M.RUDKIN			
CHECKED: R.ALEXANDER			
DRAWN: M.PERREN			
CUSTOMER REF.:			
ASSEMBLY DRG:			



www.harwin.com
technical@harwin.com

THIS DRAWING AND ANY INFORMATION OR DESCRIPTIVE MATTER SET OUT HEREON ARE CONFIDENTIAL AND COPYRIGHT PROPERTY OF THE HARWIN GROUP AND MUST NOT BE DISCLOSED, LOANED, COPIED OR USED FOR MANUFACTURING, TENDERING OR FOR ANY OTHER PURPOSE WITHOUT THEIR WRITTEN PERMISSION.

TOLERANCES
X. = ±1mm
X.X = ±0.50mm
X.XX = ±0.20mm
X.XXX = ±0.01mm
ANGLES = ±5°
UNLESS STATED

MATERIAL:
SEE ABOVE
FINISH: SEE ABOVE
S/AREA: mm²

TITLE:
GECKO SL FEMALE TO FEMALE CABLE ASSEMBLY

DRAWING NUMBER:
G125-FCXXX05F0-XXXXF0

SHT 3 OF 3