



520 Park East Blvd., New Albany, IN 47150 U.S.A  
(812)-944-6733 / 1-800-SAMTEC9

## Product Change Notification

1. ECN #: 260179

2. Date of Announcement: October 16, 2015

### 3. Series:

- CAT-HT - Application Tooling

### 4. Part #'s Affected

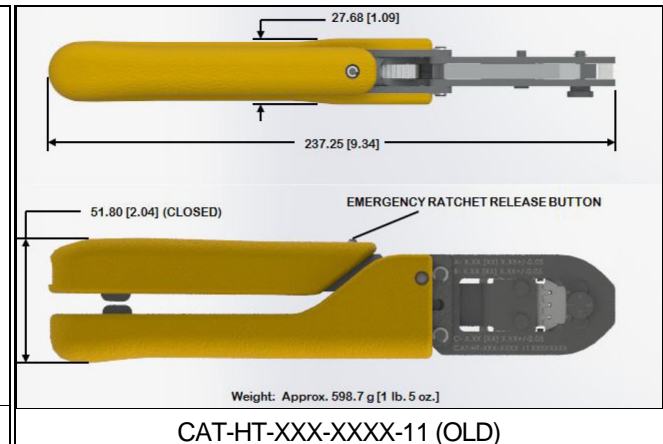
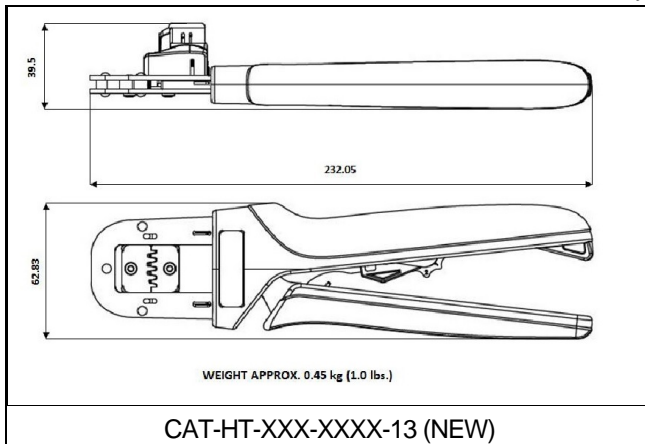
- CAT-HT-169-2024-11
- CAT-HT-169-2024-13
- CAT-HT-281-2430-11
- CAT-HT-281-2430-13

### 5. Description of Change:

CAT-HT-169-2024-13 is replacing CAT-HT-169-2024-11 CAT-HT-281-2430-13 is replacing CAT-HT-281-2430-11

### 6. Method of Identifying Change

Part number will be etched on the tool, as well as many obvious differences - shown below.



### 7. Reason for Change:

The newly designed -13 tools have improved quality, ease of use, and reduced price.

### 8. Impact of Change on Form, Fit, or Function:

- Form - New tools are smaller and lighter
- Function - New tools have a built-in locator to aid in placing the contact prior to crimping. They do not have insulation adjustment.

9. Projected Implementation Date: November 16, 2015