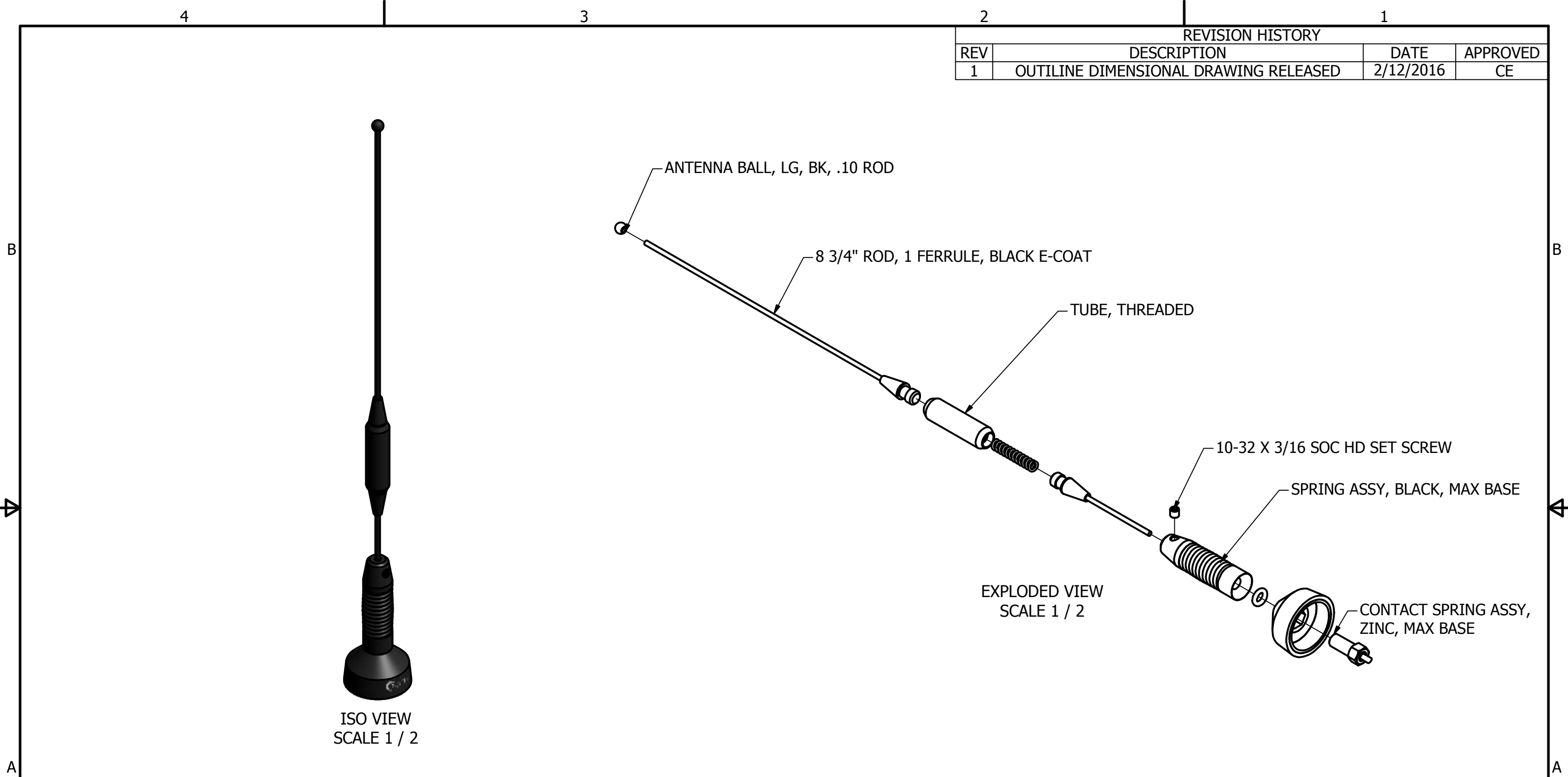


REVISION HISTORY			
REV	DESCRIPTION	DATE	APPROVED
1	OUTLINE DIMENSIONAL DRAWING RELEASED	2/12/2016	CE



- ANTENNA BALL, LG, BK, .10 ROD
- 8 3/4" ROD, 1 FERRULE, BLACK E-COAT
- TUBE, THREADED
- 10-32 X 3/16 SOC HD SET SCREW
- SPRING ASSY, BLACK, MAX BASE
- CONTACT SPRING ASSY, ZINC, MAX BASE

EXPLODED VIEW  
SCALE 1 / 2

ISO VIEW  
SCALE 1 / 2

NOTES: UNLESS OTHERWISE SPECIFIED  
1. A (REF) DIMENSION IS FOR INFORMATION PURPOSES ONLY AND NO TOLERANCE IS IMPLIED.

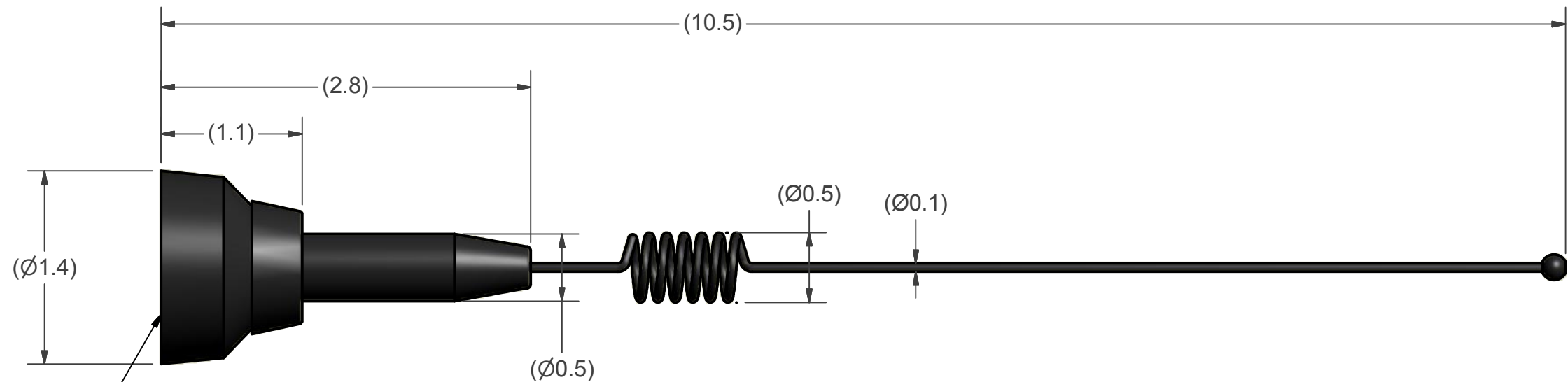
SUPPLIER PRINT ACCEPTANCE: <input type="checkbox"/> Accept drawing/specification: No changes needed: <input type="checkbox"/> This part is RoHS compliant <input type="checkbox"/> This part is REACH compliant <input type="checkbox"/> Accept drawing/specification. Notes/Mark-ups added <input type="checkbox"/> Cannot accept drawing/spec. Notes/Mark-ups added Supplier Projected Outgoing Quality: SIGMA LEVEL : _____ or PPM: _____ Signature _____ Date: _____	UNLESS OTHERWISE SPECIFIED DIMENSIONS ARE IN MILLIMETERS FOR TOLERANCES NOT SPECIFIED USE: [X mm ± 3 mm] [X.X mm ± .3 mm] [X.XX mm ± .13 mm] ANGULAR± 1°	DRAWN: CE DATE: 4/4/2017 CHECKED: IP DATE: 4/4/2017 MATERIAL: SEE COMP. PRINTS FINISH: SEE COMP. PRINTS	PCTEL, INC. 471 BRIGHTON DRIVE BLOOMINGDALE, IL 60108 PH. 630-372-6800 FAX. 630-372-8077
	THIRD ANGLE PROJECTION 	PCTEL PROPRIETARY DATA THE INFORMATION AND/OR DRAWINGS CONTAINED IN THIS DOCUMENT IS CONFIDENTIAL AND PROPRIETARY TO PCTEL, INC. AND MAY NOT BE USED, REPRODUCED, IN WHOLE OR IN PART, OR MODIFIED IN ANY WAY WITHOUT THE EXPRESS WRITTEN PERMISSION OF AN AUTHORIZED REPRESENTATIVE OF PCTEL, INC.	

NOTES: UNLESS OTHERWISE SPECIFIED

- TEST PER ANTENNA ELECTRICAL SPECIFICATIONS.  
 FREQUENCY RANGE: 824-896 MHz / 1850-1990 MHz  
 NOMINAL IMPEDANCE: 50 Ohms  
 NOMINAL GAIN: 2.2 dBi / 4 dBi  
 MAX POWER: 150 WATTS  
 VSWR < 1.5:1 LOW BAND  
 < 2.0:1 HIGH BAND
- DIMENSIONS IN PARENTHESIS ARE FOR REFERENCE ONLY AND NO TOLERANCE IS IMPLIED.

REVISION HISTORY			
REV	DESCRIPTION	DATE	APPROVED
D	RELEASE OF OUTLINE DIMENSIONAL DRAWING	8/8/2017	CV

(0.062) THICK NEOPRENE WASHER



INTERFACE TO "NMO" STYLE MOUNT  
(1 1/8-18 UNEF-2B X .38 DEEP)

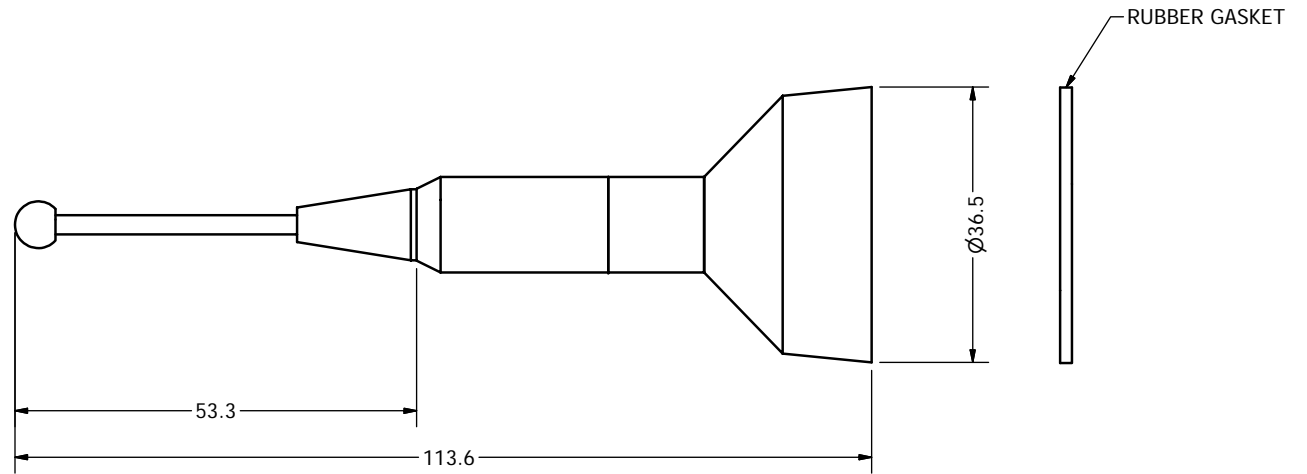
UNLESS OTHERWISE SPECIFIED DIMENSIONS ARE IN INCHES	DRAWN <b>CV</b>	DATE <b>8/8/2017</b>	<p>PCTEL, INC.          BROADBAND TECHNOLOGY GROUP          471 BRIGHTON DRIVE          BLOOMINGDALE, IL 60108          PH. 630-372-6800          FAX. 630-372-8077</p>
FOR TOLERANCES NOT SPECIFIED USE: X.X ± 0.1, X.XX ± 0.01, X.XXX ± 0.005 ANGULAR ± 2°	CHECKED	DATE	
THIRD ANGLE PROJECTION 	APPROVED	DATE	
PROPRIETARY DATA THE INFORMATION CONTAINED IN THIS DOCUMENT IS OF A PROPRIETARY NATURE. IT MAY NOT BE USED OR REPRODUCED WITHOUT EXPRESS WRITTEN PERMISSION OF PCTEL INC., BLOOMINGDALE, IL 60108	MATERIAL: <b>SEE COMPONENT PRINTS</b>	FINISH: <b>SEE COMPONENT PRINTS</b>	
DESCRIPTION <b>824-896 /1850-1990, MAXBASE, BLACK</b>			
DRAWING NO. <b>ODD_BMAX8241850</b>			
SIZE <b>B</b>	SCALE <b>1:1</b>	SHEET <b>1 OF 1</b>	



REVISION HISTORY

REV	DESCRIPTION	DATE	APPROVED
A	RELEASED	11JUNE09	JD
A2	ADDED ISO VIEW	12JUNE09	JD

NOTES: UNLESS OTHERWISE SPECIFIED

1. INTERPRET DRAWING PER ANSI/ASME Y14.5
2. ALL MATERIALS SHALL BE ROHS COMPLIANT.
3. PARTS SHALL BE PACKAGED TO PREVENT DAMAGE IN SHIPMENT AND HANDLING.



UNLESS OTHERWISE SPECIFIED DIMENSIONS ARE IN MILLIMETERS	DRAWN JD	DATE 6/11/2009	 PCTEL, INC. BROADBAND TECHNOLOGY GROUP 471 BRIGHTON DRIVE BLOOMINGDALE, IL 60108 PH. 630-372-6800 FAX. 630-372-8077
	CHECKED	DATE	
FOR TOLERANCES NOT SPECIFIED USE: [X mm ± 3 mm], [X.X mm ± .3 mm], [X.XX mm ± .13 mm] ANGULAR ± 2°	APPROVED	DATE	DESCRIPTION 2.3-3.8GHZ, 5DBI, MAXBASE, BLACK
THIRD ANGLE PROJECTION 	MATERIAL: SEE COMPONENT PRINTS		DRAWING NO. ODD_BMAXC233805
PROPRIETARY DATA THE INFORMATION CONTAINED IN THIS DOCUMENT IS OF A PROPRIETARY NATURE. IT MAY NOT BE USED OR REPRODUCED WITHOUT EXPRESS WRITTEN PERMISSION OF PCTEL INC., BLOOMINGDALE, IL 60108	FINISH: SEE COMPONENT PRINTS	SIZE A3	SCALE 1:1
		SHEET 1 OF 1	