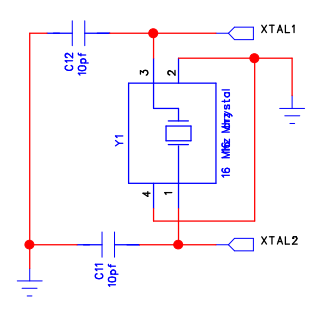
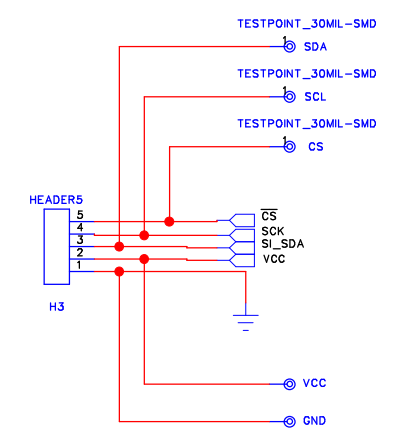


6



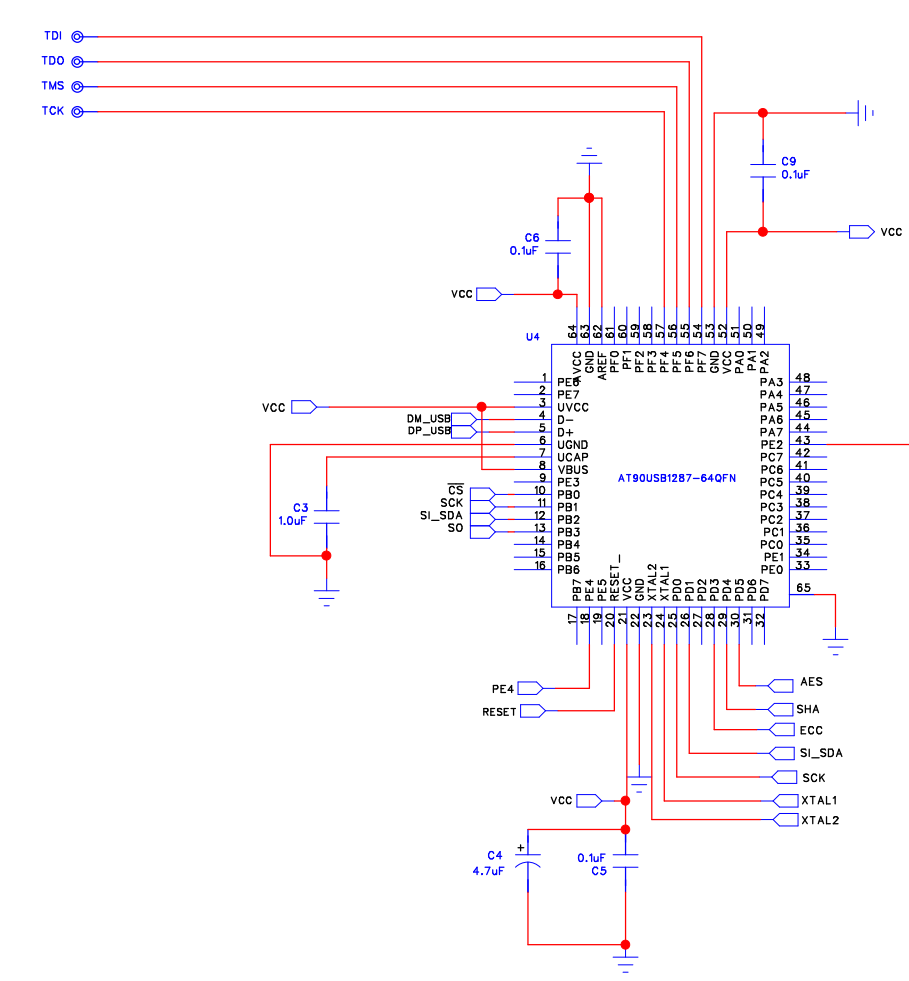
Oscillator

5



C

4



AT90USB1287

3

2

1

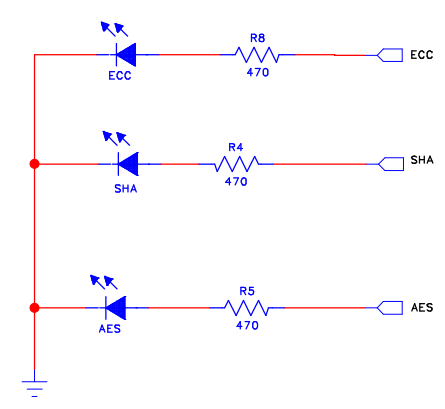
REVISION RECORD			
LTR	ECO NO:	APPROVED:	DATE:

H1 FIDUCIAL_PAD

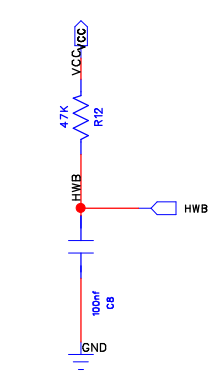
D

D

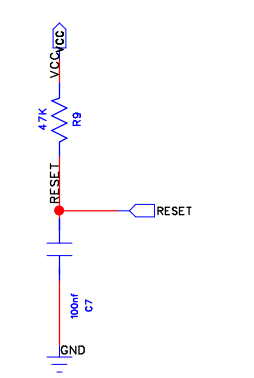
B



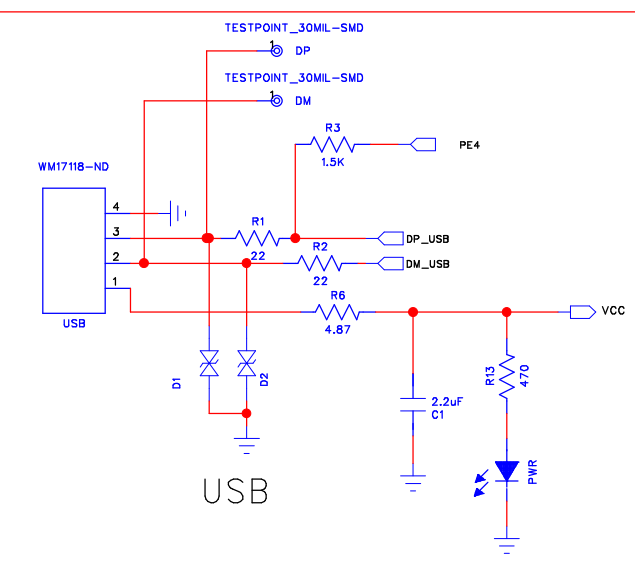
LEDS



HWB



Power On-Reset

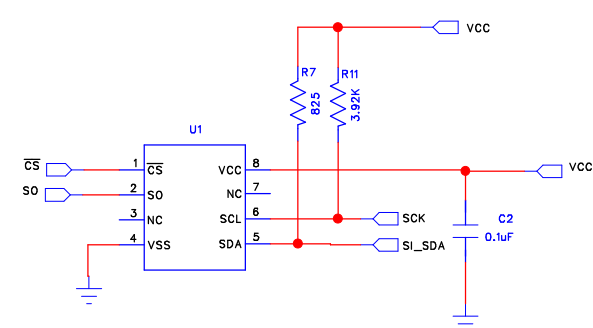


USB

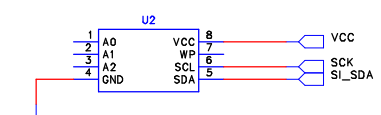
D+ D- RESISTORS Close to the MCU

NOTES:

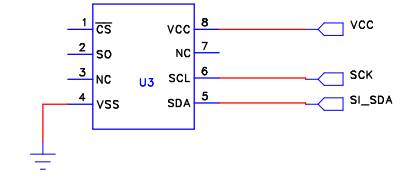
A



AES Memory



SHA204



ECC108

COMPANY: ATMEL			
TITLE:			
DRAWN: R.MCNAMAR	DATED: 12-SEP-13	CODE:	SIZE:
CHECKED:	DATED:	DRAWING NO: AT88CK490	
QUALITY CONTROL:	DATED:	REV: 2.0	
RELEASED:	DATED:	SCALE: NTS	SHEET: 2 OF 2

B

A