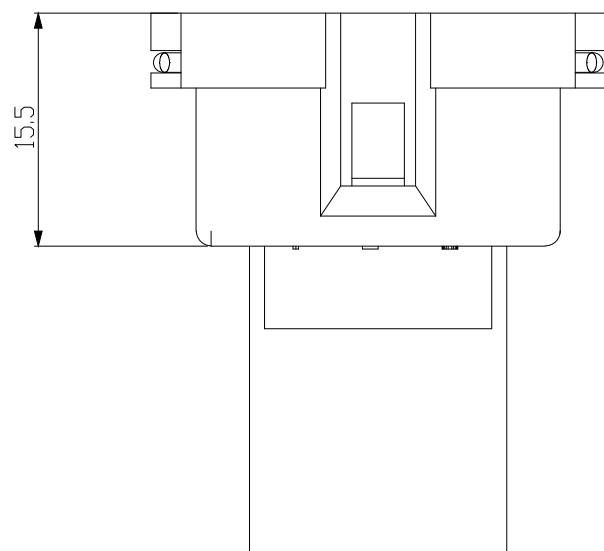
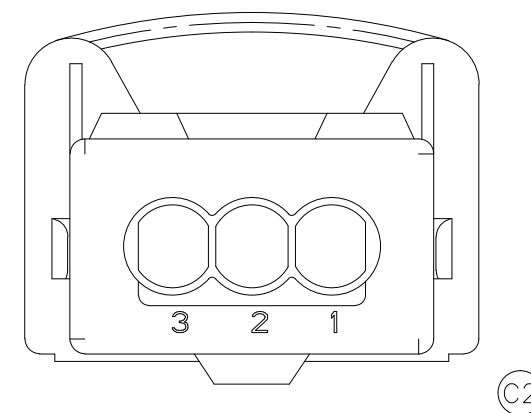
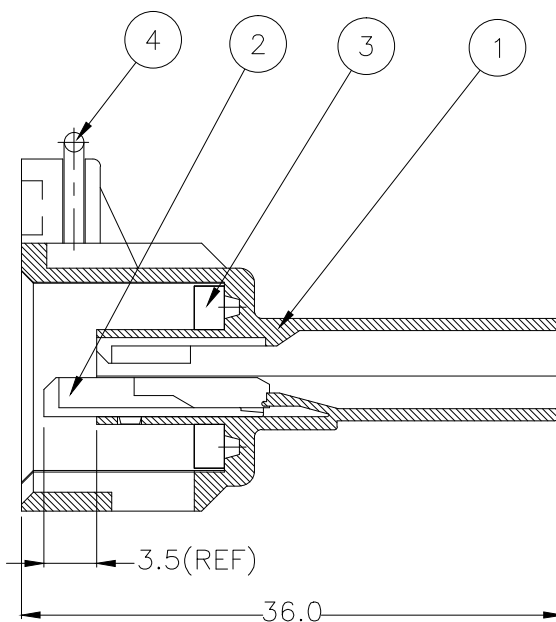
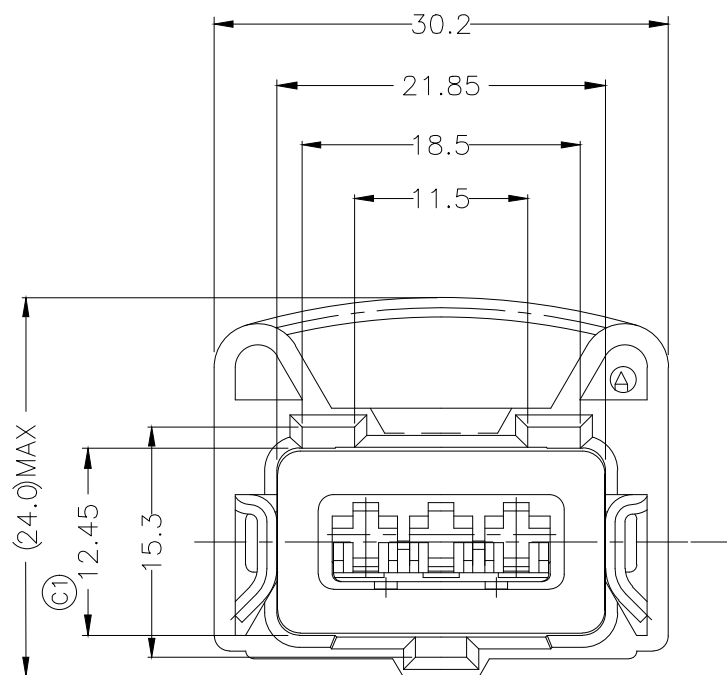


P	LTR	DESCRIPTION	DATE	DWN	APVD
B		REVISED(RD097-043)	04.APR.'97	YD	CS
C		REVISED(FC00-0085-99)	02.JUL.'99	YD	CS
C1		REVISED(ECR-07-020197)	24.AUG.'07	YC	JK
C2		REVISED(ECR-16-000551)	13.JAN.'16	SJ	HG



* NOTES *

- 1. APPLICABLE CONTACT P/NO: 927770/927766
- 2. APPLICABLE WIRE SEAL P/NO: 828904/828905/368064

NO	COLOR	MATERIAL	DESCRIPTION	P/NO	REQUIRED Q'TY
4		SUS 304	SPRING	85388-1	1
3	ORANGE	SILICONE	SEAL RUBBER	85384-1	1
2	YELLOW	PBT	SPACER	85207-1	1
1	GREEN	PBT 30% GF	JPT 3P HSG FOR STANDARD	C1 85206-3	1
1	BLUE	PBT 30% GF	JPT 3P HSG FOR STANDARD	C1 85206-2	1
1	BLACK	PBT 30% GF	JPT 3P HSG FOR STANDARD	C1 85206-1	1

DESCRIPTION	P/NO
JPT 3P ASS'Y FOR STANDARD	85205-3 C1
JPT 3P ASS'Y FOR STANDARD	85205-2 C1
JPT 3P ASS'Y FOR STANDARD	85205-1 C1

THIS DRAWING IS A CONTROLLED DOCUMENT.		DWN SJ CHOI			
DIMENSIONS: mm		CHK JW JUNG			
TOLERANCES UNLESS OTHERWISE SPECIFIED: 0<XX<10 ± 0.2 10<XX<30 ± 0.25 30<XX<100 ± 0.3 ANGLES ± 3°		APVD HG CHOI		NAME JPT 3P ASS'Y FOR STANDARD	
MATERIAL		FINISH		PRODUCT SPEC 108-61000	
				APPLICATION SPEC 114-18018	
				WEIGHT A3 00779 C=85205	
				RESTRICTED TO -	
CUSTOMER DRAWING				SCALE 2:1	SHEET 1 OF 1
				REV C2	