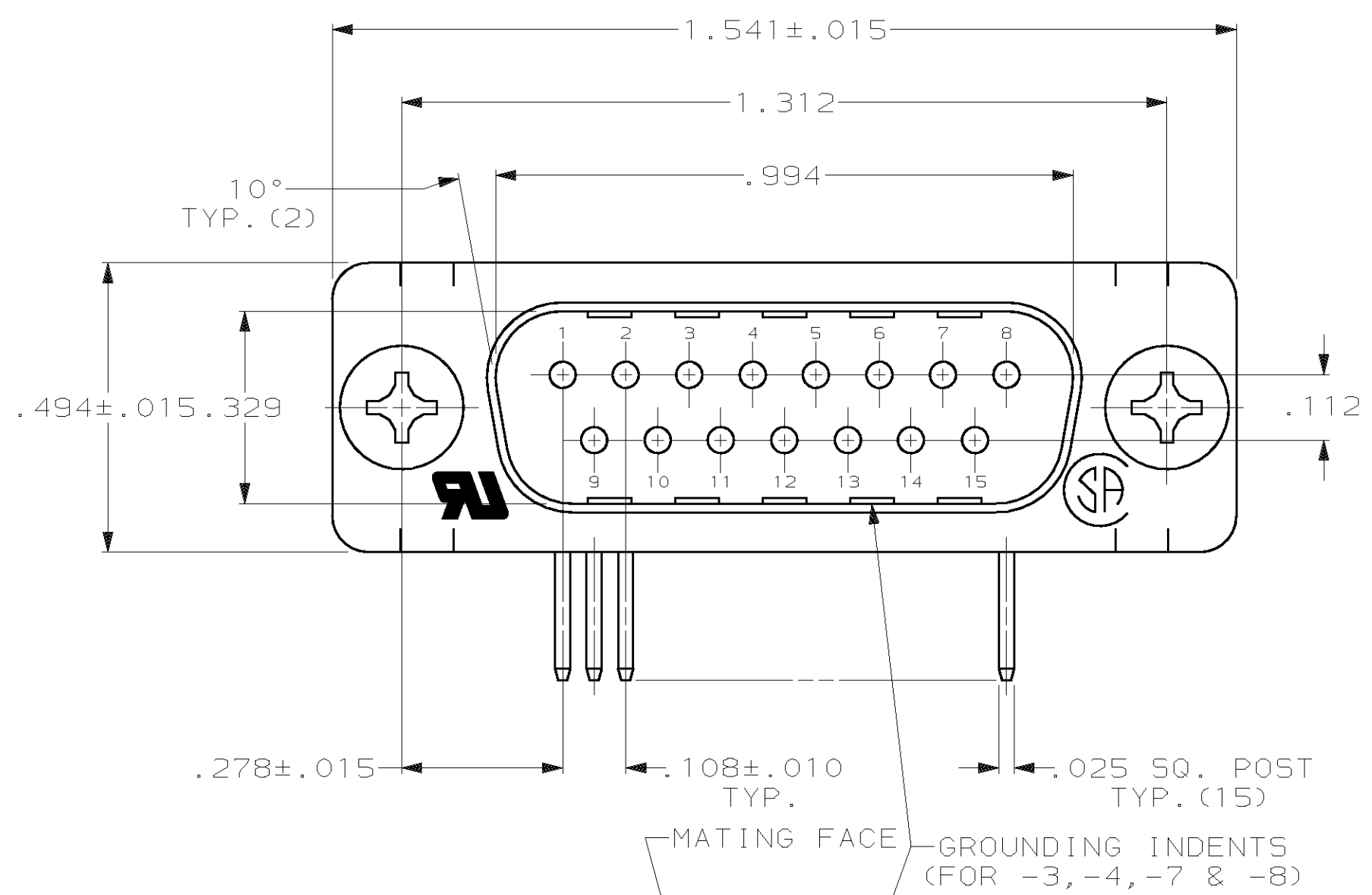
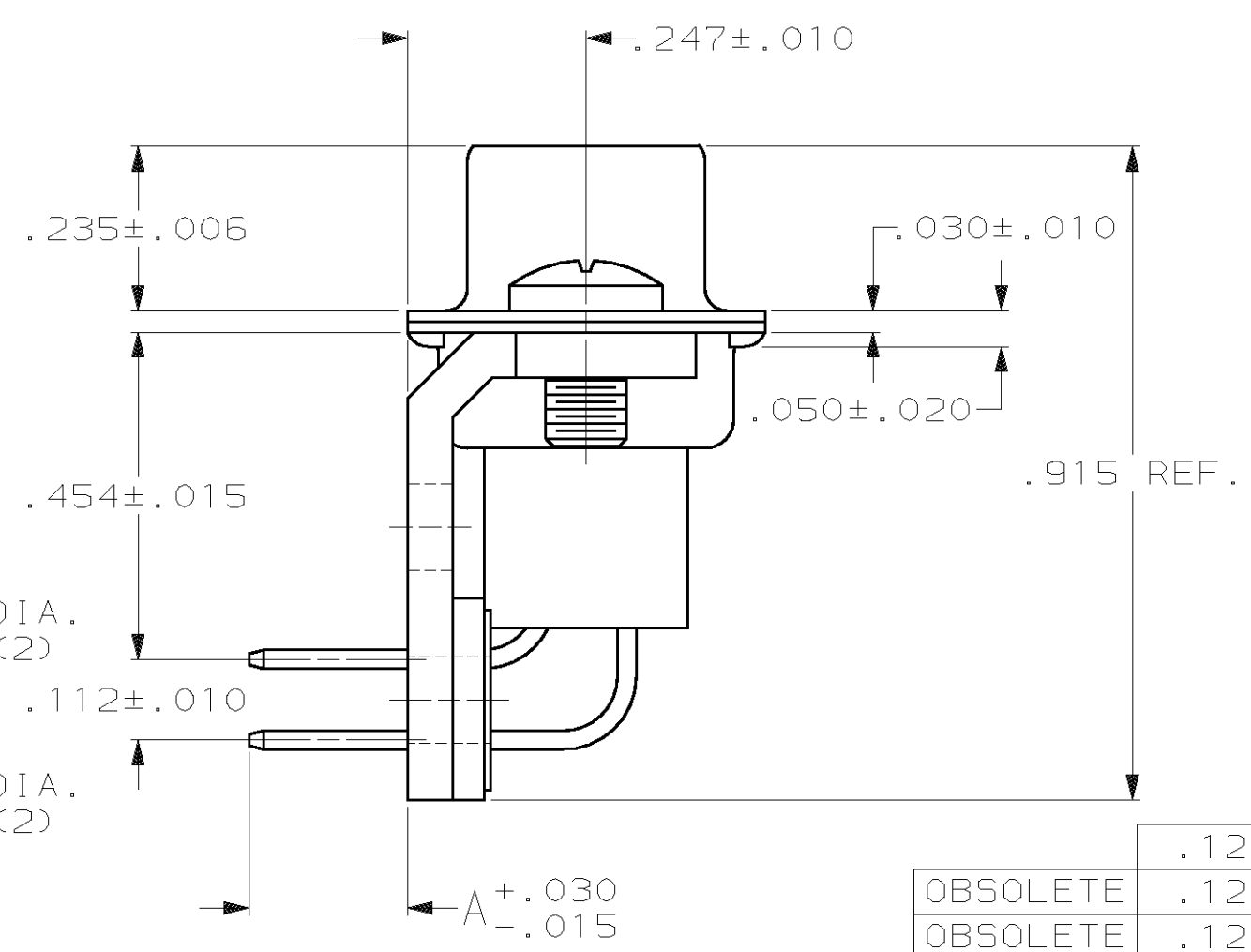
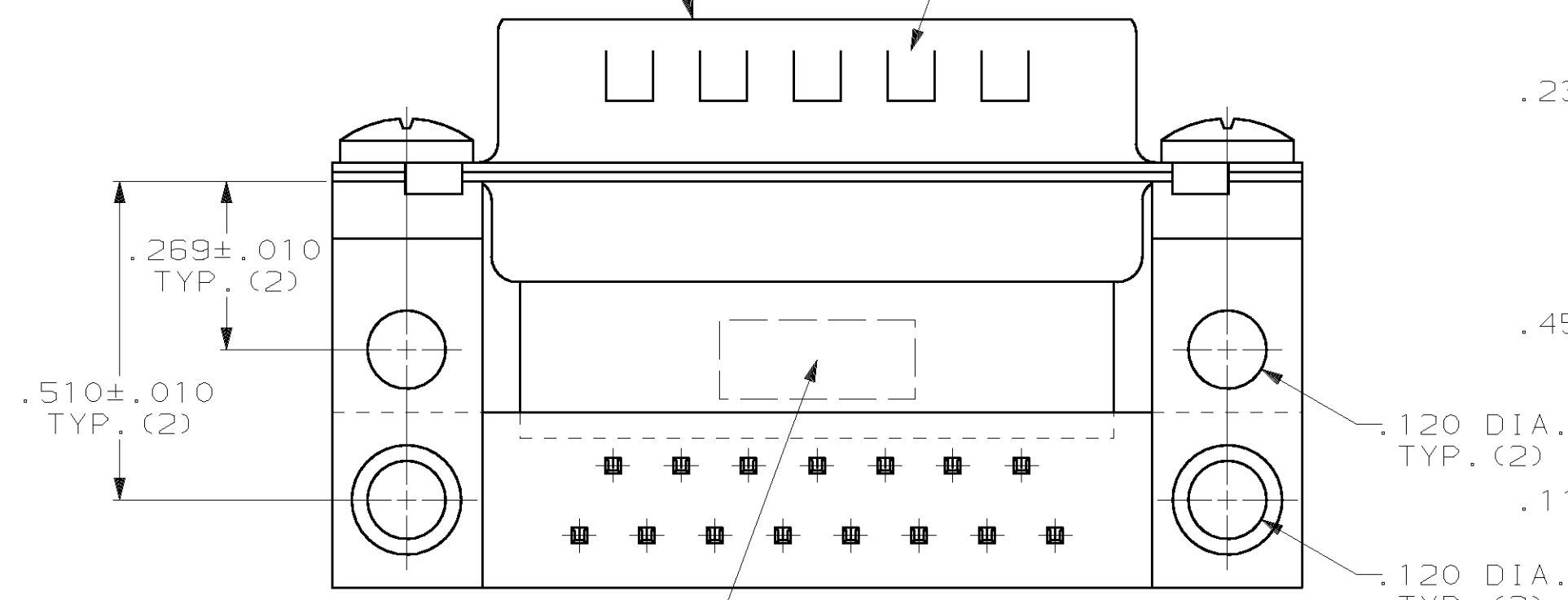


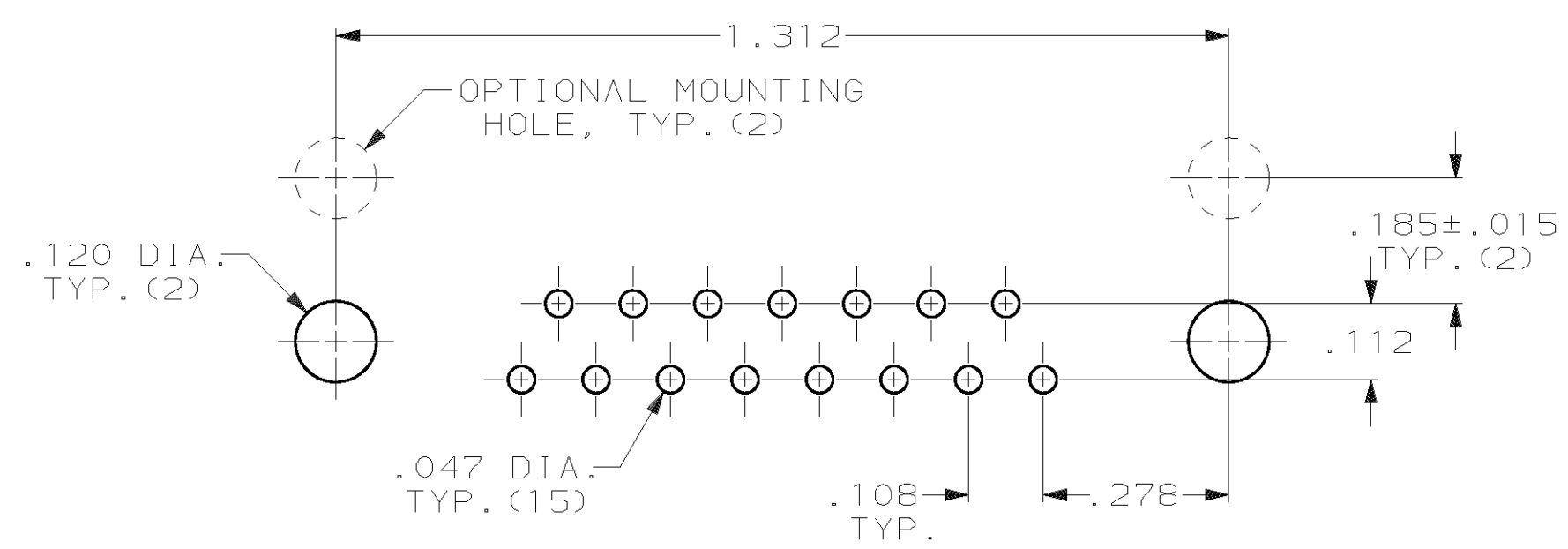
LOC		DIST		P		F		ZONE		LTR		REVISIONS		DATE	APPD
BD	77									L		REV PER EC 0640-429-98	18 FEB 99	RT	



- CONNECTOR MATES WITH ANY 15 POS. RECEPTACLE IN AMPLIMITE SERIES & COMPLIES WITH AMP SPEC. 108-40,005 WHERE APPLICABLE.
- FLAME RETARDANT 94V-0 RATED THERMOPLASTIC; COLOR: BLACK.
- STEEL PER ASTM A109.
- BRASS PER MIL-C-50.
- TIN PLATING PER MIL-T-10727, GOLD PLATING PER MIL-G-45204, NICKEL PLATING PER QQ-N-290.
- TIN PLATED.
- GOLD FLASH FOR A LENGTH OF .150 MIN FROM MATING END, .000100 MIN TIN-LEAD ON OPPOSITE END, BOTH OVER .000050 MIN NICKEL.
- GOLD PLATED FOR LENGTH OF .150 MIN FROM MATING END, .000030 MIN GOLD IN MATED AREA, .000100 MIN TIN-LEAD ON OPPOSITE END, BOTH OVER .000050 MIN NICKEL.



	.125	8	745435-8
OBSOLETE	.125	7	745435-7
OBSOLETE	.125	8	745435-6
OBSOLETE	.125	7	745435-5
OBSOLETE	.220	8	745435-4
OBSOLETE	.220	7	745435-3
OBSOLETE	.220	8	745435-2
OBSOLETE	.220	7	745435-1



DO NOT SCALE PRINT. UNLESS SPECIFIED DIMENSIONS IN INCHES TOLERANCES ON:		DR 12-27-83 J. GERACE		AMP AMP Incorporated Harrisburg, PA 17105-3608	
2 PLC DEC ± .005		CHK 12-27-83 J. GERACE		NAME	
3 PLC DEC ± .005		APPD 3-15-84 P. SWEIGARD		PLUG ASSEMBLY, SIZE 2, 15 POS., RIGHT ANGLE, .454 SERIES, .025 SQ. POSTS, AMPLIMITE™ HDP	
ANGLES ± 2°		APPD 3-15-84 J. ASSINI		SIZE	
MATERIAL		PRODUCT SPEC		CAGE CODE	
MOLDED PARTS: 2		APPLICATION SPEC		DRAWING NO.	
SHELLS & BRACKETS: 3		-		00779	
CONTACTS: 4		WEIGHT		C=745435	
FINISH		-		SHEET	
SHELLS & BRACKETS: 6		-		1 OF 1	
CONTACTS: SEE TABLE		-		REVISION	

THIS DRAWING IS A CONTROLLED DOCUMENT FOR AMP INCORPORATED. IT IS SUBJECT TO CHANGE AND THE CONTROLLING ENGINEERING ORGANIZATION SHOULD BE CONTACTED FOR THE LATEST REVISION.

OBSOLETE
NOT the LATEST REVISION