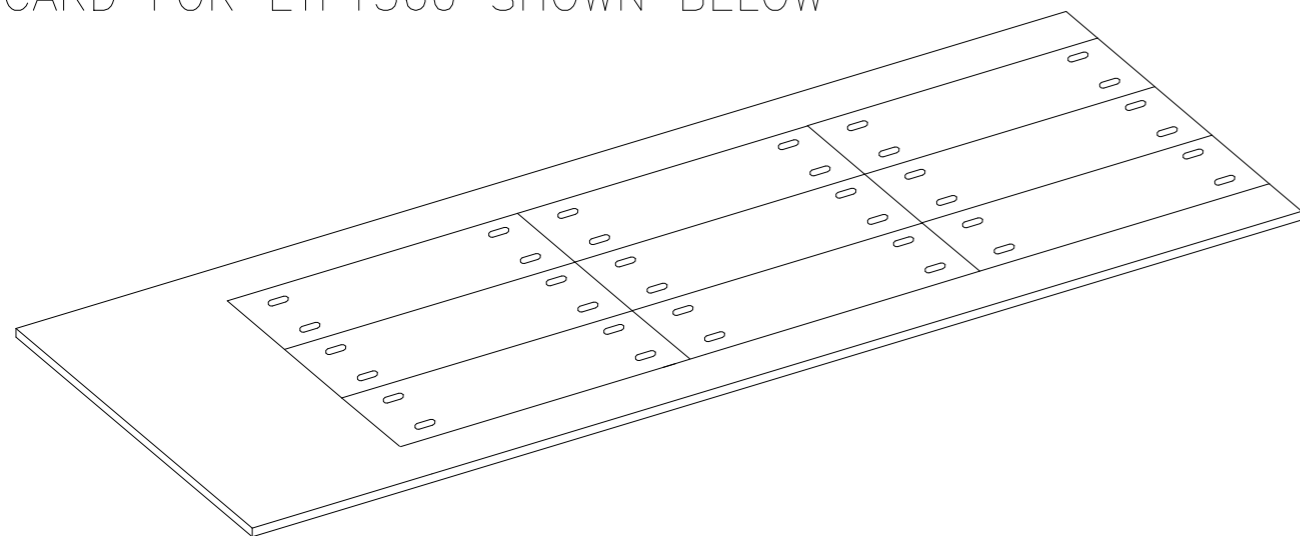
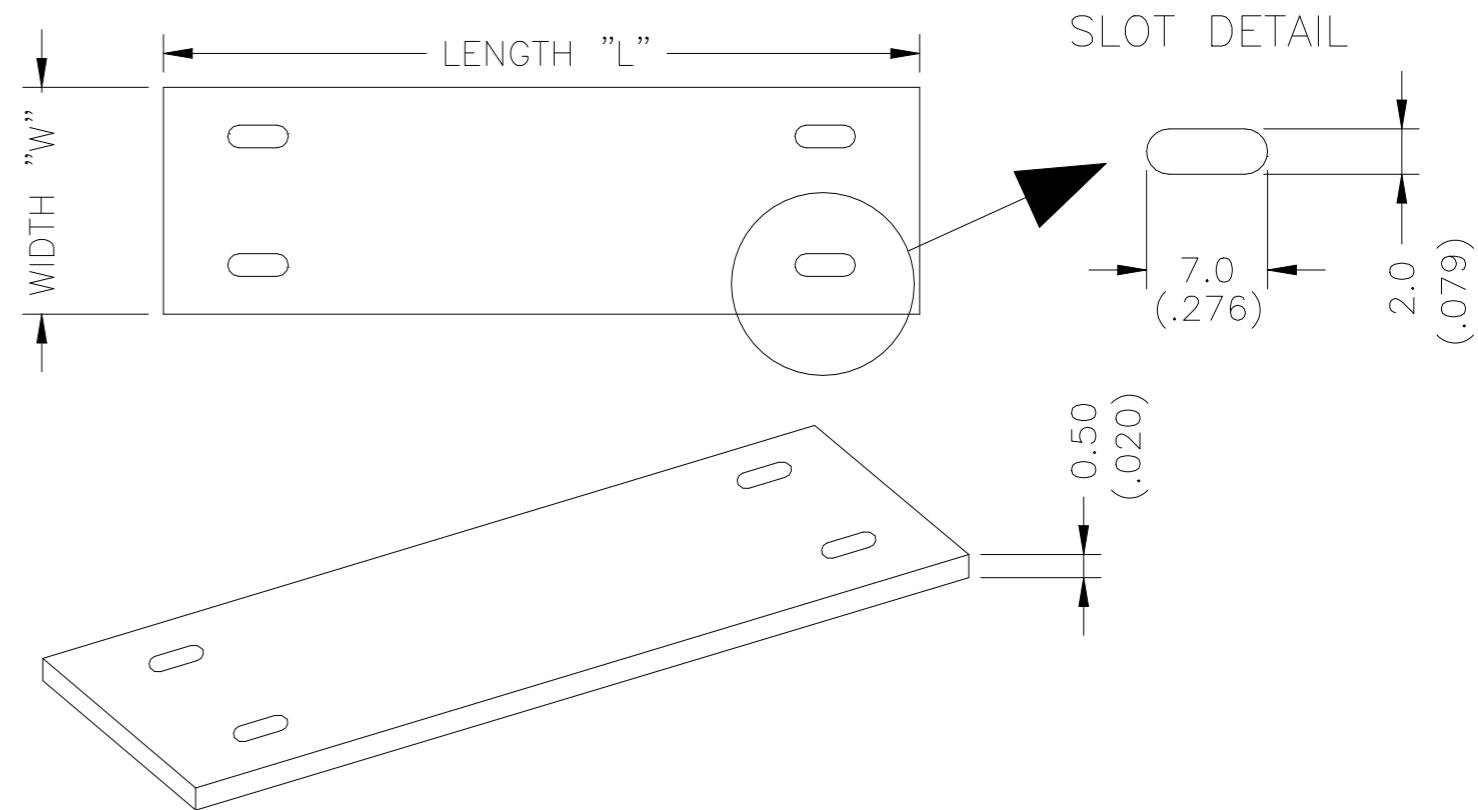
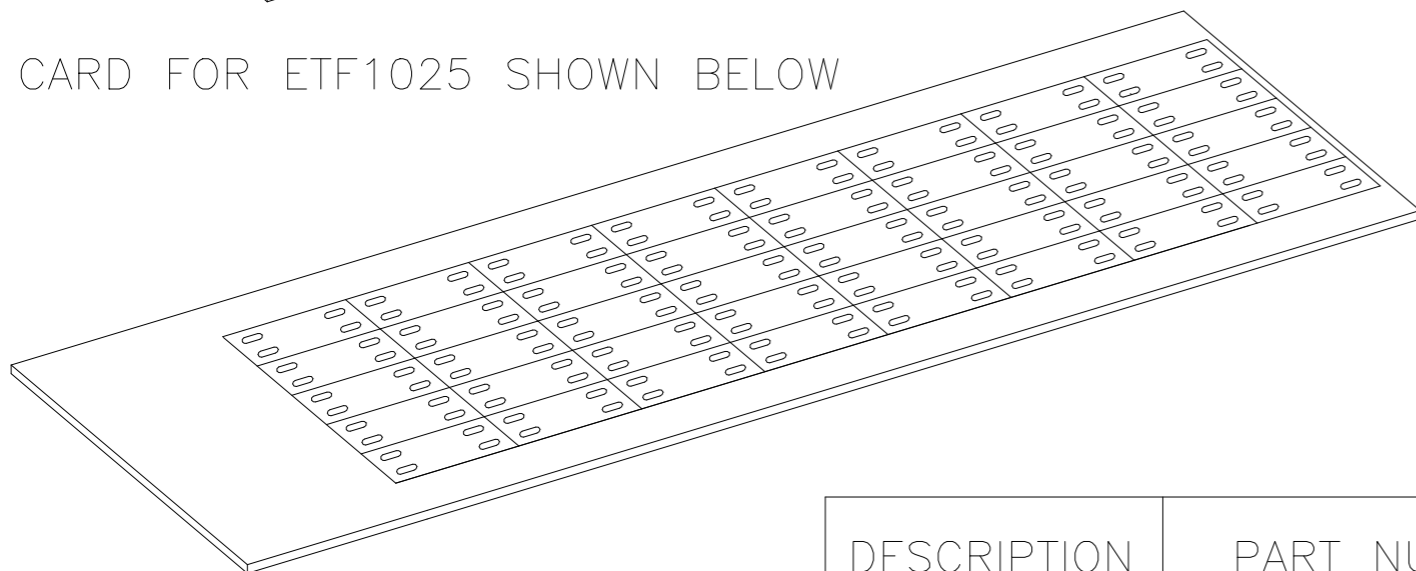


REVISIONS					
P	LTR	DESCRIPTION	DATE	DWN	APVD
	1	INITIAL DRAWING	15MAR2021	AFK	LS

MARKERS SUPPLIED IN CARD FORM
CARD FOR ETF1560 SHOWN BELOW



CARD FOR ETF1025 SHOWN BELOW



DESCRIPTION	PART NUMBER	MARKER COLOR	LENGTH "L"	WIDTH "W"	MARKERS PER CARD	CARDS PER PACK
ETF1025	1SNA235599R0000	WHITE	25 (.984)	10 (.394)	40	18
ETF1560	1SNA235601R0000	WHITE	60 (2.362)	15 (.591)	9	18
ETF1560-YL	1SNA235602R0000	YELLOW	60 (2.362)	15 (.591)	9	18

DIMENSIONS IN mm (inches)

THIS DRAWING IS A CONTROLLED DOCUMENT.		DWN AFK	15MAR2021	STE TE Connectivity		
		CHK ALE	15MAR2021			
DIMENSIONS: mm		TOLERANCES UNLESS OTHERWISE SPECIFIED:		NAME		
		0 PLC	± -	PRODUCT SPEC		
		1 PLC	± -	-		
MATERIAL RIGID PVC		2 PLC	± -	APPLICATION SPEC		
		3 PLC	± -	-		
		4 PLC	± -	SIZE	CAGE CODE	DRAWING NO
		ANGLES	± -	A3 00779		G-ETF
		FINISH	-	WEIGHT		RESTRICTED TO
				VARIES		-
CUSTOMER DRAWING				SCALE	SHEET	REV
				NTS	1 OF 1	1