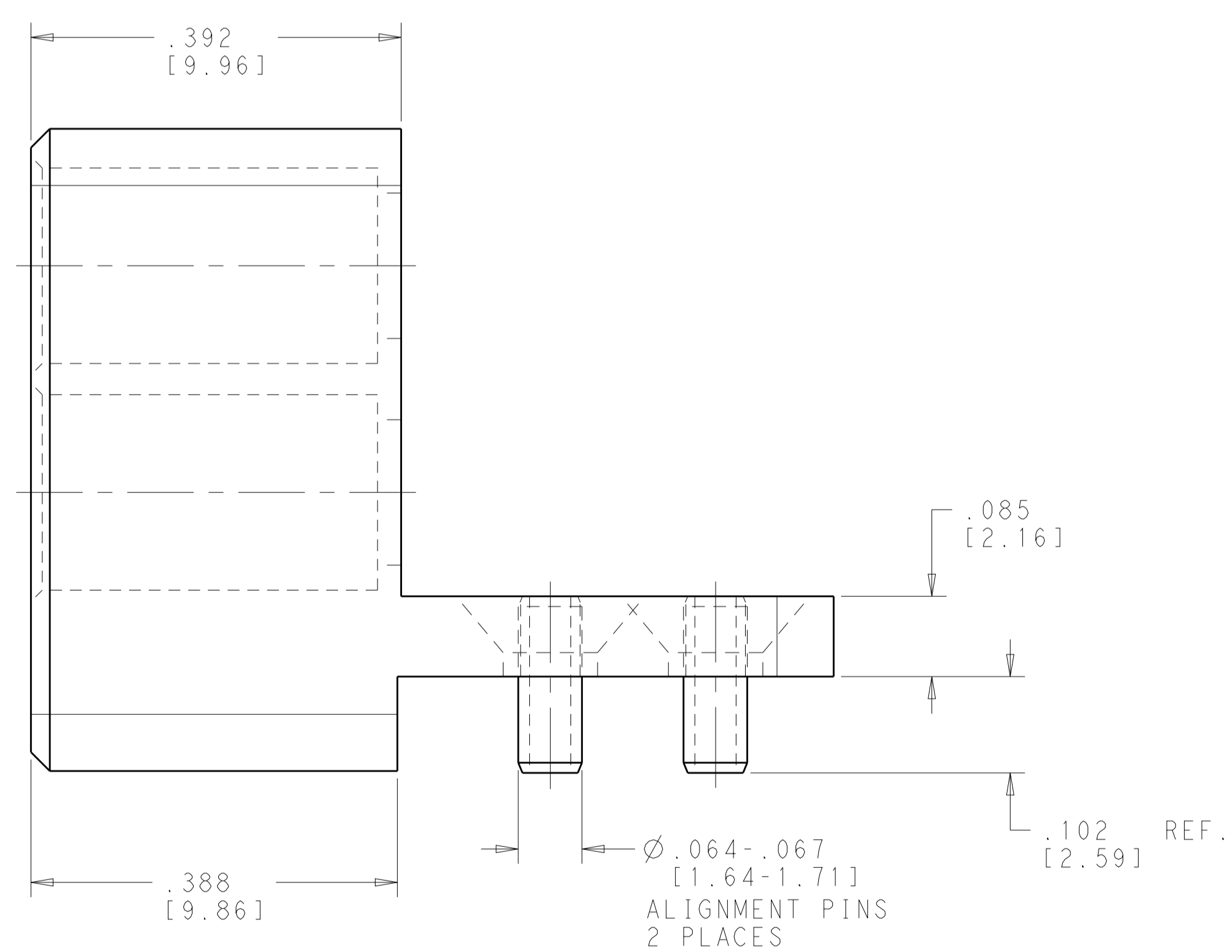
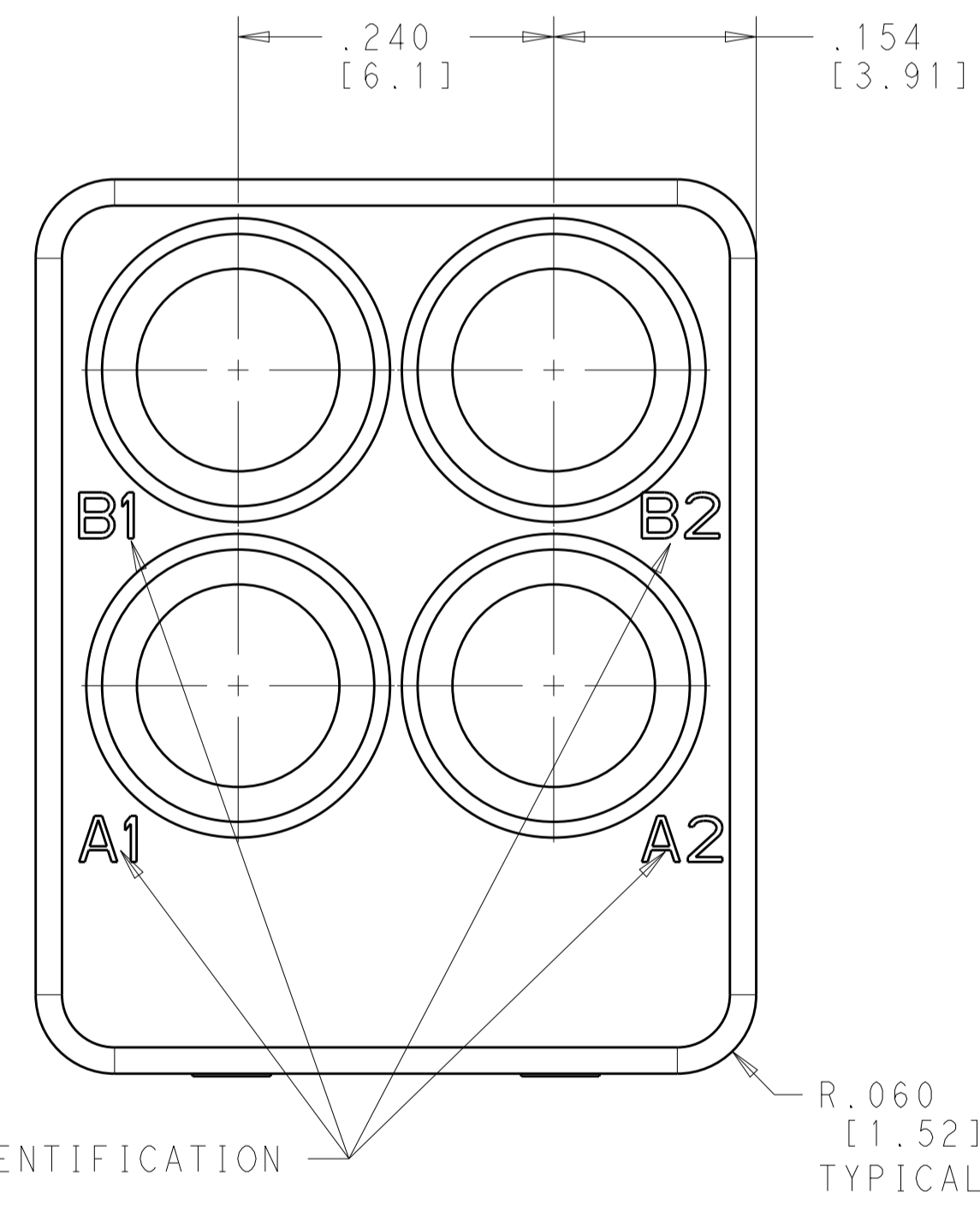
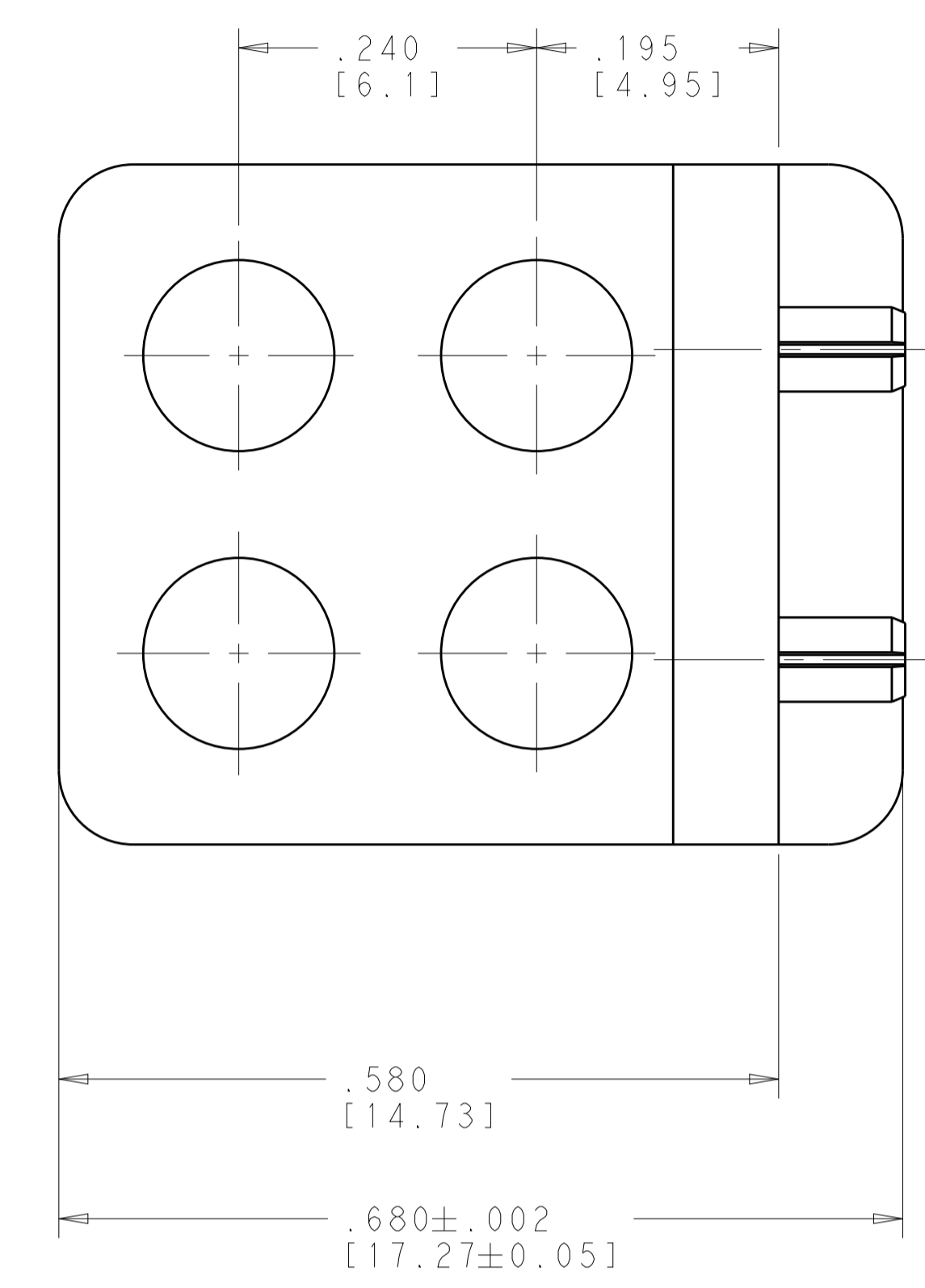
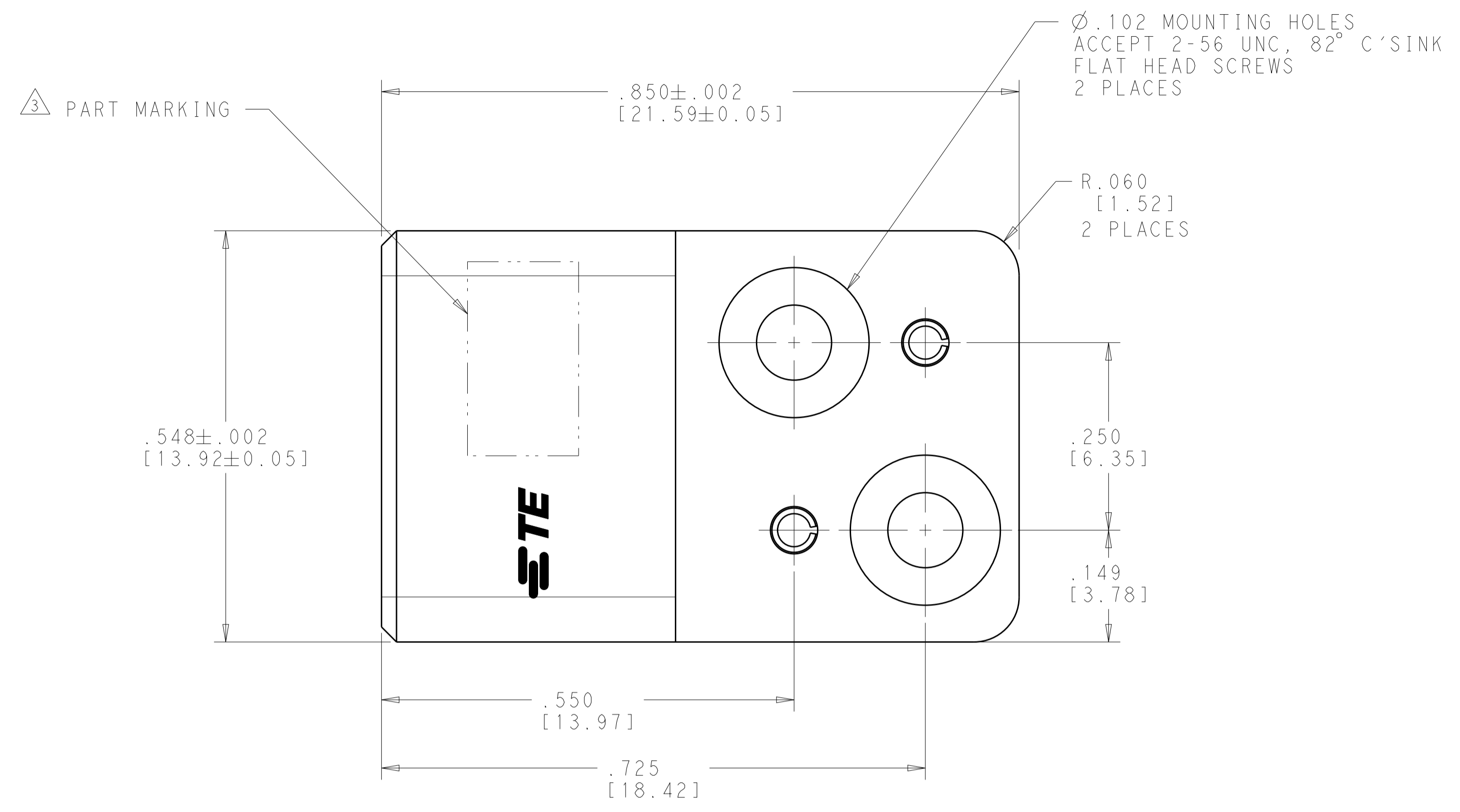
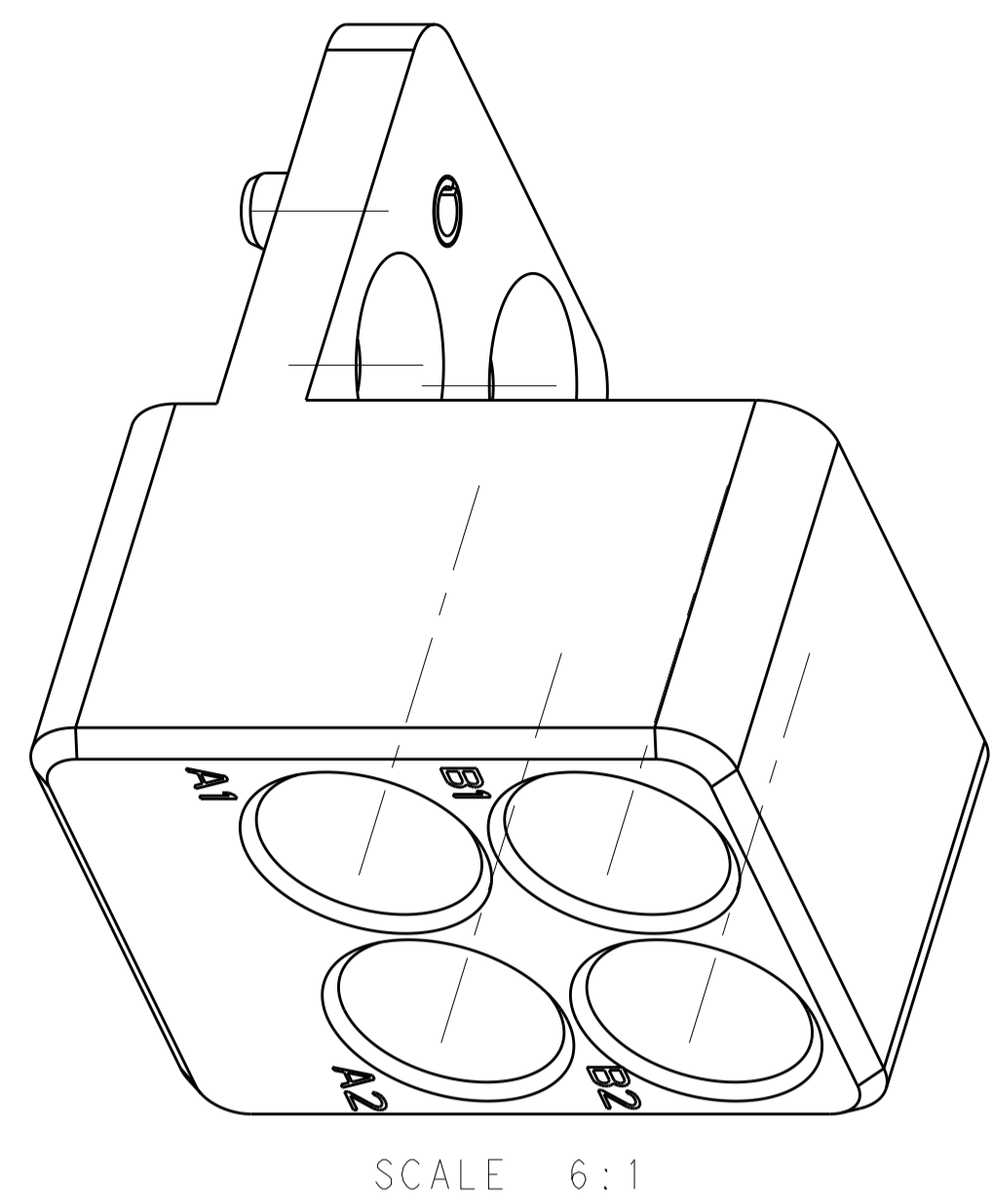


LOC		DIST		REVISIONS			
				REV	DATE	BY	APPV
		H		REV PER ECO	15-012318		



- △ MATERIAL:  
MODULE BODY - STAINLESS STEEL, PER UNS S30300  
SPRING PINS - WORK HARDENED NICKEL STAINLESS STEEL
- △ FINISH:  
MODULE BODY AND SPRING PINS - PASSIVATED
- △ PART MARKING:  
TE CONNECTIVITY PART NUMBER, CAGE CODE AND DATE CODE
- △ CAVITY IDENTIFICATION MARKING

1996883-4	△3/4	1996883-4
-----	-----	1996883-3
TE PART MARKING	MARKING REQUIREMENT	PART NUMBER

THIS DRAWING IS A CONTROLLED DOCUMENT.		DWN S.T. Morley 11AUG2009	TE Connectivity NAME 4 POSITION R.F. MODULE P.C.B. MOUNT - DAUGHTER CARD VITA 67, 3U (1/2 SIZE)
DIMENSIONS: [INCHES/mm]	TOLERANCES UNLESS OTHERWISE SPECIFIED:	CHK S.T. Morley 11AUG2009	
0 PLC ±.1 2 PLC ±.01 3 PLC ±.001 4 PLC ±.0005 ANGLES ±1.0°	FINISH △2	PRODUCT SPEC APPLICATION SPEC	
MATERIAL △1		WEIGHT .512 oz CUSTOMER DRAWING	
		SIZE A1	CAGE CODE DRAWING NO. 100779 ©=1996883 SCALE 8:1 SHEET 1 OF 1 REV H