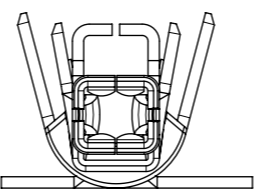
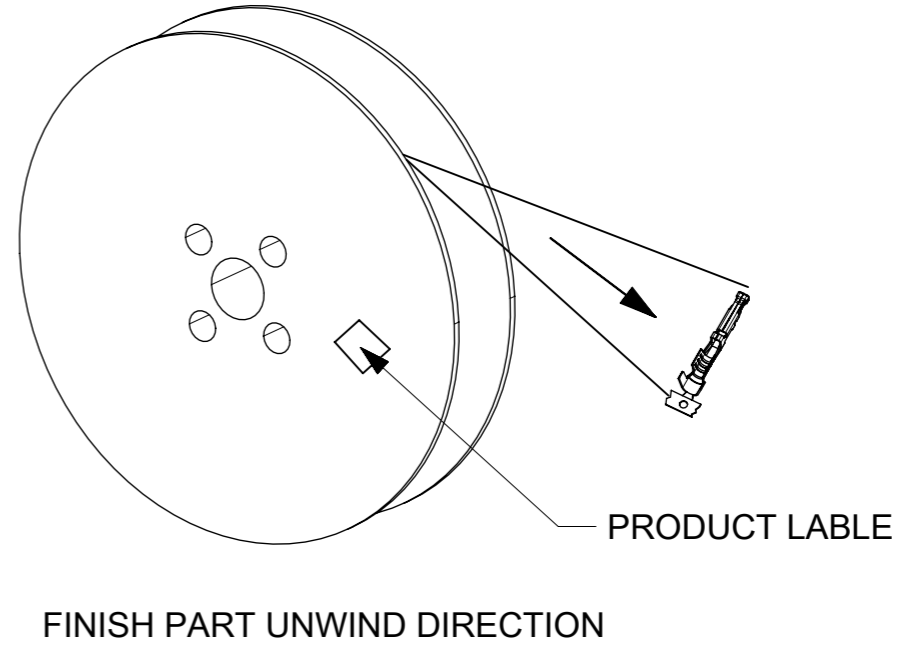
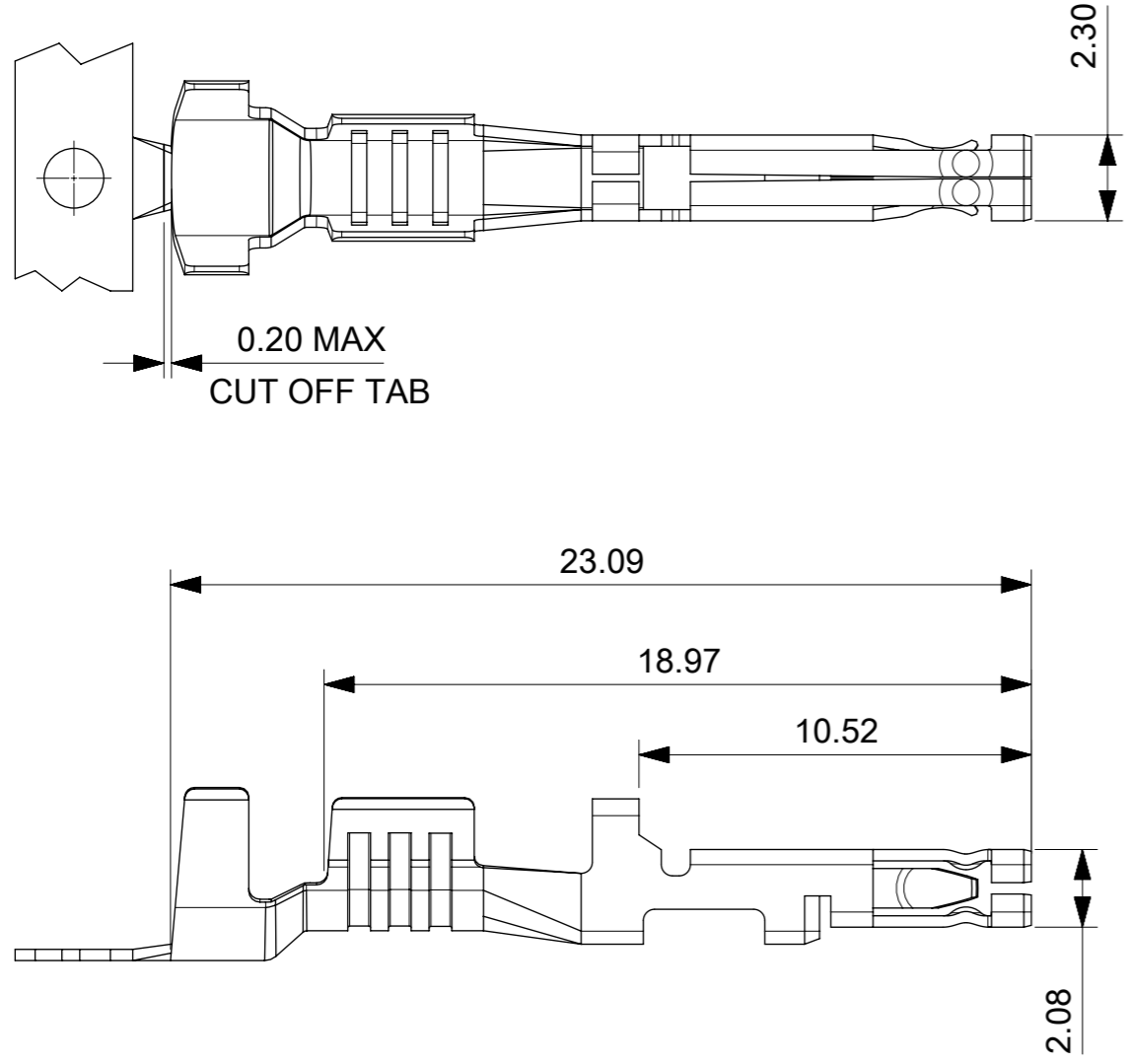
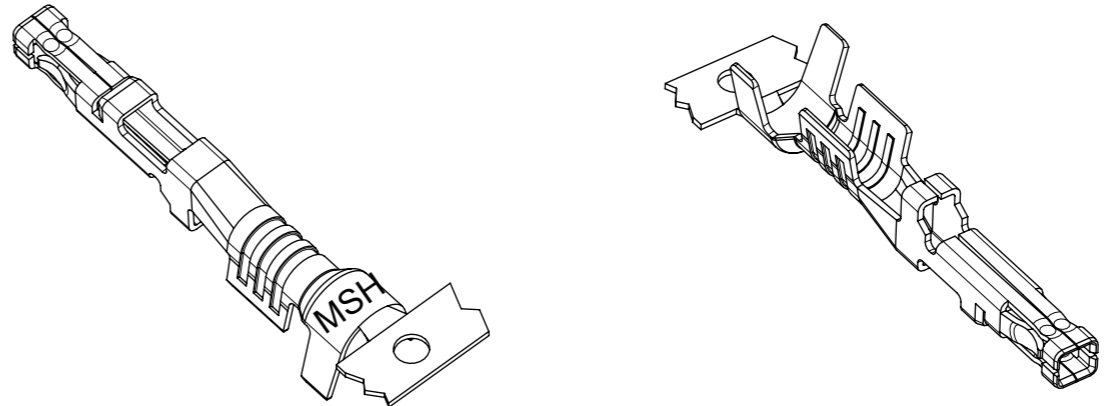
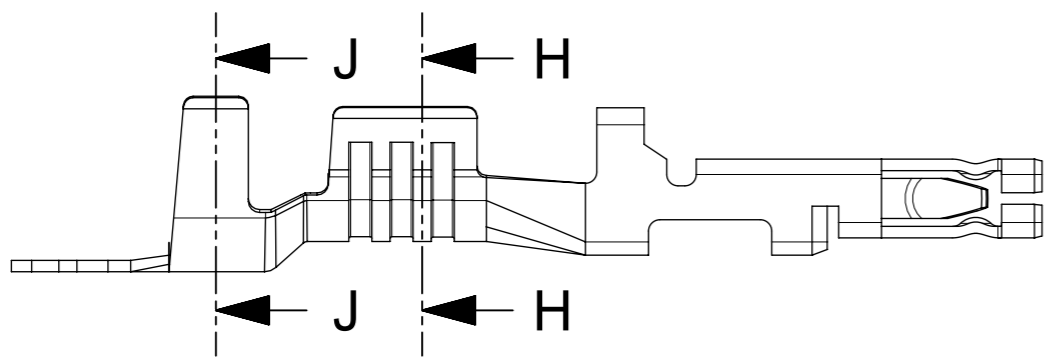


| WIRE GAUGE   |                       | PART NUMBER | PLATING OPTION  | LUBED | DIM "A" |
|--------------|-----------------------|-------------|---|-------|---------|
| NORMAL CRIMP | DOUBLE CRIMP          |             |   |       |         |
| 10AWG        | N/A                   | 76823-0345  | HOT DIP TIN<br>PREPLATE-OVERALL<br>1.0μm(40μ") MIN  | YES   | 14.00   |
| 12AWG        | 2x16AWG               | 76823-0343  |   |       | 13.00   |
| 14/16AWG     | 2x18AWG OR<br>2x20AWG | 76823-0344  |   |       |         |
| 10AWG        | N/A                   | 172063-0335 | 15u" GOLD<br>0.38μm(15μ") GOLD CONTACT<br>AREA,1.5μm(60μ")-2.5μm(100μ") MATTE TIN, OVER<br>1.25μm(50μ")-2.5μm(100μ") NICKEL OVERALL | YES   | 14.00   |
| 12AWG        | 2x16AWG               | 172063-0333 |   |       | 13.00   |
| 14/16AWG     | 2x18AWG OR<br>2x20AWG | 172063-0334 |   |       |         |
| 10AWG        | N/A                   | 172063-1335 | 30u" GOLD<br>0.76μm(30μ") GOLD CONTACT<br>AREA,1.5μm(60μ")-2.5μm(100μ") MATTE TIN, OVER<br>1.25μm(50μ")-2.5μm(100μ") NICKEL OVERALL | YES   | 14.00   |
| 12AWG        | 2x16AWG               | 172063-1333 |   |       | 13.00   |
| 14/16AWG     | 2x18AWG OR<br>2x20AWG | 172063-1334 |   |       |         |

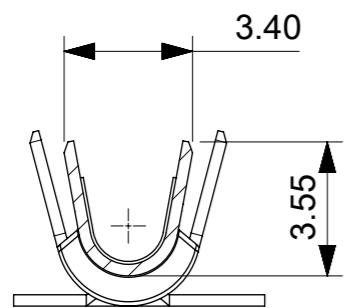


- NOTES:
1. MATERIAL: HIGH CONDUCTIVITY COPPER ALLOY.
  2. FINISH: SEE CHART.
  3. PRODUCT SPECIFICATION: 1720631000-PS/1054171000-PS.
  4. PACKAGING SPECIFICATION: REEL PER 768230200
  5. TERMINAL USED WITH MOLEX SERIES RECEPTACLE:17169202XX/200456
  6. APPLICATION SPECIFICATION: 768232000-AS

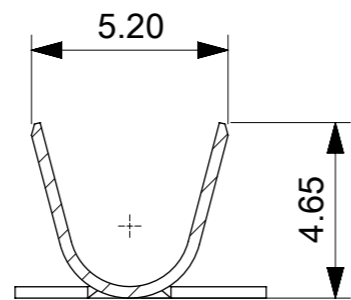
|   |  |       |  |                        |  |                   |  |            |  |   |  |
|---|--|-------|--|------------------------|--|-------------------|--|------------|--|---|--|
| THIS DRAWING CONTAINS INFORMATION THAT IS PROPRIETARY TO MOLEX ELECTRONIC TECHNOLOGIES, LLC AND SHOULD NOT BE USED WITHOUT WRITTEN PERMISSION |  |       |  |                        |  |                   |  |            |  |   |  |
| DIMENSION UNITS   |  | SCALE |  | CURRENT REV DESC:      |  |                   |  |            |  | <b>molex</b>  |  |
| mm  |  | NTS   |  |                        |  |                   |  |            |  |   |  |
| GENERAL TOLERANCES (UNLESS SPECIFIED)   |  |       |  | EC NO: 722781          |  |                   |  |            |  | MEGA-FIT FEMALE TERMINAL FOR 14/16, 12AWG, AND 10AWG WIRE |  |
| ANGULAR TOL ± 3.0°  |  |       |  | 4 PLACES ±             |  | DRWN: WYATTH5     |  | 2022/10/20 |  | PRODUCT CUSTOMER DRAWING                                  |  |
|   |  |       |  | 3 PLACES ±             |  | CHK'D: XQZHANG    |  | 2022/10/27 |  |   |  |
|   |  |       |  | 2 PLACES ± 0.25        |  | APPR: XQZHANG     |  | 2022/10/27 |  |   |  |
|   |  |       |  | 1 PLACE ± 0.35         |  | INITIAL REVISION: |  |            |  | DOCUMENT NUMBER   |  |
|   |  |       |  | 0 PLACES ±             |  | DRWN: YXZHENG     |  | 2016/12/15 |  | 768230200   |  |
|   |  |       |  |                        |  | APPR: YXZHENG     |  | 2018/08/06 |  | DOC TYPE DOC PART REVISION                                |  |
| DRAFT WHERE APPLICABLE MUST REMAIN WITHIN DIMENSIONS  |  |       |  | THIRD ANGLE PROJECTION |  | DRAWING           |  | SERIES     |  | MATERIAL NUMBER   |  |
|   |  |       |  | A3-SIZE                |  | 76823             |  | SEE TABLE  |  | CUSTOMER  |  |
|   |  |       |  |                        |  | GENERAL MARKET    |  | 1 OF 3     |  |   |  |



14/16AWG WIRE STYLES

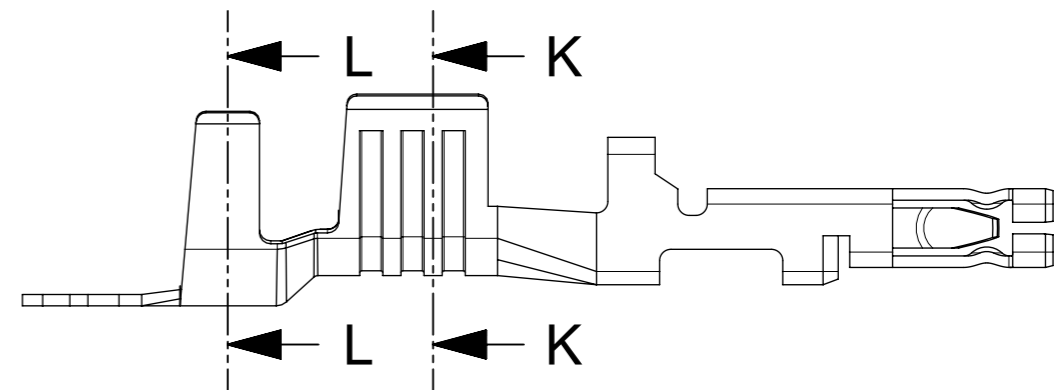


SECTION H-H

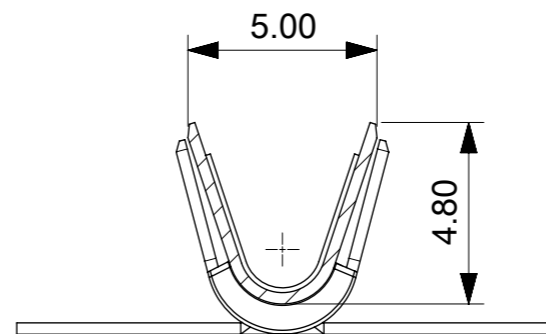


SECTION J-J

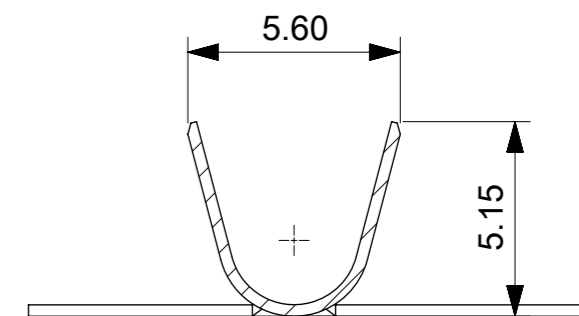
CONDUCTOR AND INSULATION 14/16AWG



12 AWG WIRE STYLES



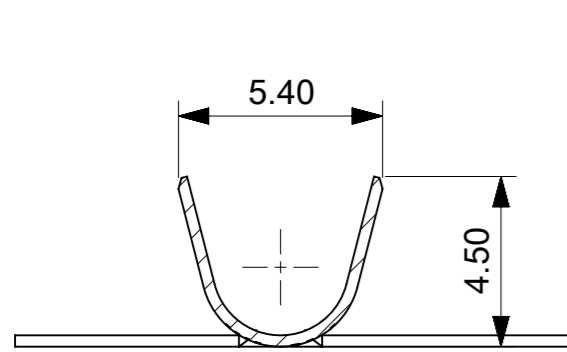
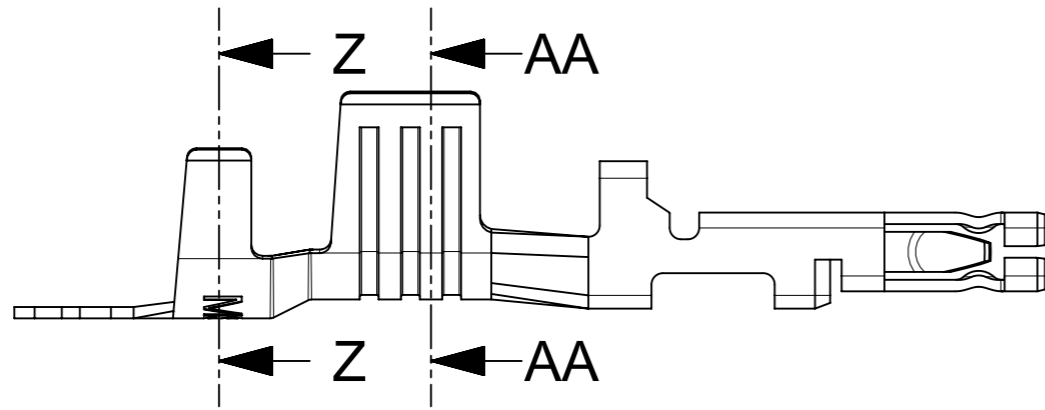
SECTION K-K



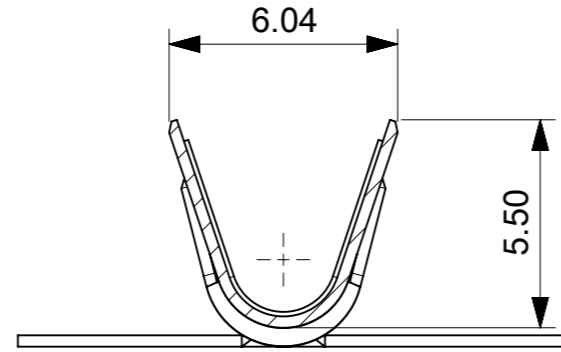
SECTION L-L

CONDUCTOR AND INSULATION 12AWG

|   |        |                           |  |         |   |                 |  |                |  |
|---|--------|---------------------------|--|---------|---|-----------------|--|----------------|--|
| THIS DRAWING CONTAINS INFORMATION THAT IS PROPRIETARY TO MOLEX ELECTRONIC TECHNOLOGIES, LLC AND SHOULD NOT BE USED WITHOUT WRITTEN PERMISSION |        |                           |  |         |   |                 |  |                |  |
| DIMENSION UNITS   | SCALE  | CURRENT REV DESC:         |  |         |   |                 |  |                |  |
| mm  | NTS    |                           |  |         |   |                 |  |                |  |
| GENERAL TOLERANCES (UNLESS SPECIFIED)   |        |                           |  |         | <b>MEGA-FIT FEMALE TERMINAL FOR 14/16, 12AWG, AND 10AWG WIRE</b>                          |                 |  |                |  |
| ANGULAR TOL ± 3.0°  |        |                           |  |         |   |                 |  |                |  |
| 4 PLACES  | ±      | EC NO: 722781             |  |         | <b>PRODUCT CUSTOMER DRAWING</b>   |                 |  |                |  |
| 3 PLACES  | ±      | DRWN: WYATTH5 2022/10/20  |  |         |   |                 |  |                |  |
| 2 PLACES  | ± 0.25 | CHK'D: XQZHANG 2022/10/27 |  |         | DOCUMENT NUMBER: <b>768230200</b> DOC TYPE: PSD    DOC PART: 000    REVISION: C3          |                 |  |                |  |
| 1 PLACE   | ± 0.35 | APPR: XQZHANG 2022/10/27  |  |         |   |                 |  |                |  |
| 0 PLACES  | ±      | INITIAL REVISION:         |  |         | MATERIAL NUMBER: <b>76823</b> CUSTOMER: <b>GENERAL MARKET</b> SHEET NUMBER: <b>2 OF 3</b> |                 |  |                |  |
|   |        | DRWN: YXZHENG 2016/12/15  |  |         |   |                 |  |                |  |
|   |        | APPR: YXZHENG 2018/08/06  |  |         |   |                 |  |                |  |
| DRAFT WHERE APPLICABLE MUST REMAIN WITHIN DIMENSIONS  |        | THIRD ANGLE PROJECTION    |  | DRAWING | SERIES  | MATERIAL NUMBER |  | CUSTOMER       |  |
|   |        |                           |  | A3-SIZE | 76823   | SEE TABLE       |  | GENERAL MARKET |  |

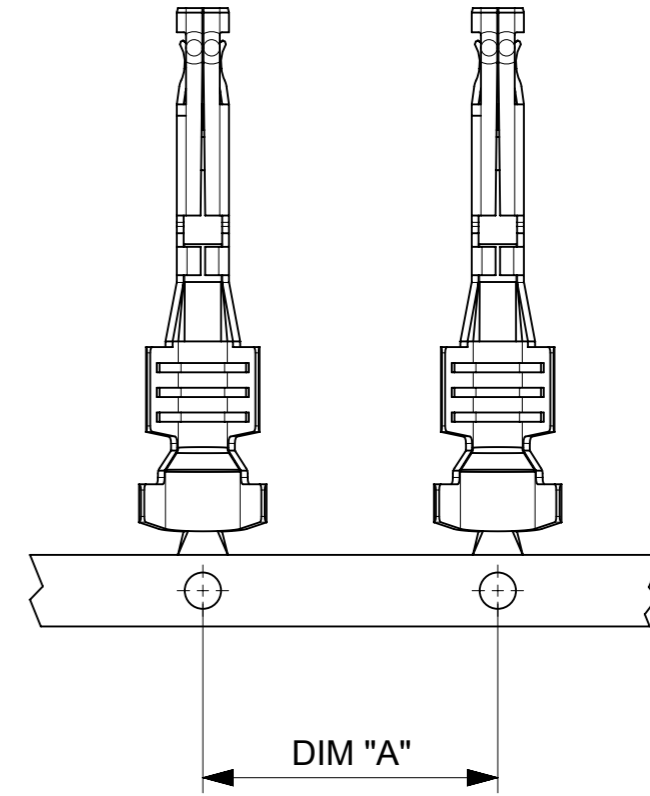


SECTION Z-Z



SECTION AA-AA

CONDUCTOR AND INSULATION 10AWG



|   |                           |                          |        |                          |  |                |          |              |  |
|---|---------------------------|--------------------------|--------|--------------------------|--|----------------|----------|--------------|--|
| THIS DRAWING CONTAINS INFORMATION THAT IS PROPRIETARY TO MOLEX ELECTRONIC TECHNOLOGIES, LLC AND SHOULD NOT BE USED WITHOUT WRITTEN PERMISSION |                           |                          |        |                          |  |                |          |              |  |
| DIMENSION UNITS   | SCALE                     | CURRENT REV DESC:        |        |                          |  |                |          |              |  |
| mm  | NTS                       |                          |        |                          |  |                |          |              |  |
| GENERAL TOLERANCES (UNLESS SPECIFIED)   |                           | EC NO: 722781            |        |                          | MEGA-FIT FEMALE TERMINAL FOR<br>14/16, 12AWG, AND 10AWG WIRE |                |          |              |  |
| ANGULAR TOL ± 3.0°  |                           | DRWN: WYATTH5 2022/10/20 |        |                          |  |                |          |              |  |
| 4 PLACES ±  | CHK'D: XQZHANG 2022/10/27 |                          |        | PRODUCT CUSTOMER DRAWING |  |                |          |              |  |
| 3 PLACES ±  | APPR: XQZHANG 2022/10/27  |                          |        |                          |  |                |          |              |  |
| 2 PLACES ± 0.25   | INITIAL REVISION:         |                          |        | DOCUMENT NUMBER          |  | DOC TYPE       | DOC PART | REVISION     |  |
| 1 PLACE ± 0.35  | DRWN: YXZHENG 2016/12/15  |                          |        | 768230200                |  | PSD            | 000      | C3           |  |
| 0 PLACES ±  | APPR: YXZHENG 2018/08/06  |                          |        | MATERIAL NUMBER          |  | CUSTOMER       |          | SHEET NUMBER |  |
| DRAFT WHERE APPLICABLE MUST REMAIN WITHIN DIMENSIONS  | THIRD ANGLE PROJECTION    | DRAWING                  | SERIES | SEE TABLE                |  | GENERAL MARKET |          | 3 OF 3       |  |