

| WIRING DIAGRAM | |
|---|---|
| 1 BROWN 2 WHITE 3 BLUE 4 BLACK 5 NOT USED | 1 BROWN 2 WHITE 3 BLUE 4 BLACK 5 GREY |

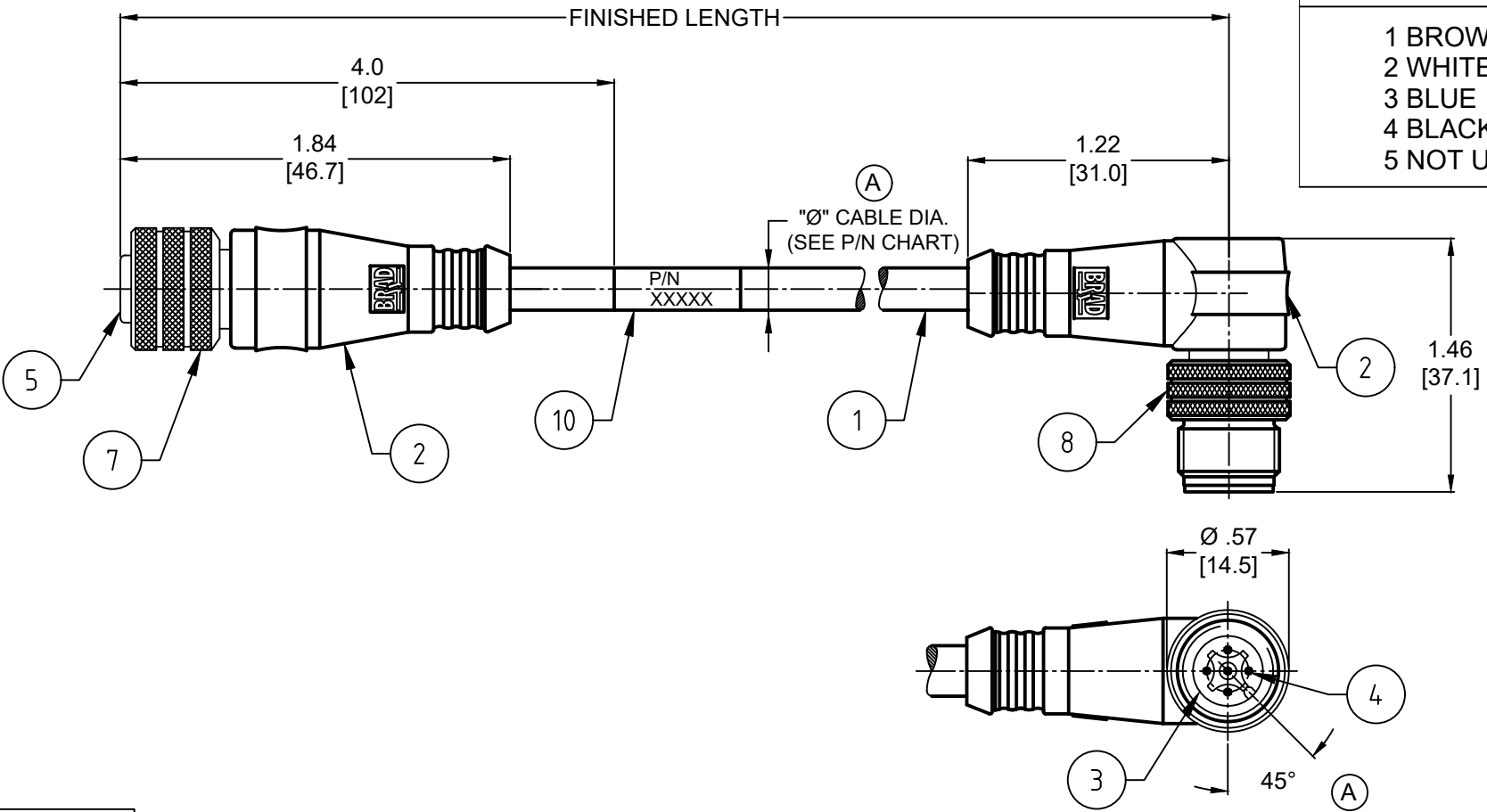
- NOTES:
- MATERIAL: AS NOTED
 - FINISH: AS NOTED
 - ELECTRICAL:
VOLTAGE: 250V
CURRENT: 4A
 - TEMP RATING: -20°TO +105°C
 - PROTECTION: IP67 (WHEN MATED)
 - COUPLING THREAD: M12X1
 - UL RECOGNIZED FILE: E152210
CSA CERTIFIED FILE: LR6837 (A)
 - ALL DIMENSIONS ARE FOR REFERENCE
UNLESS TOLERANCED OR NOTED OTHERWISE

CABLE FLEX CHARACTERISTICS (A)

| | |
|----------------------|------------------------------------|
| TORSIONAL FLEX TEST | 10 MILLION CYCLES PER MIL-C-13777G |
| BEND FLEX TEST | 10 MILLION CYCLES PER MIL-C-13777G |
| WELD SLAG RESISTANCE | WOODHEAD STANDARD S-300 |

| ITEM | DESCRIPTION | MATERIAL | FINISH |
|------|---------------------|--------------|------------------|
| 10 | LABEL | VINYL | BLACK/YELLOW |
| 9 | O-RING | VITON | RED |
| 8 | MALE COUPLING NUT | BRASS | NICKEL PLATED |
| 7 | FEMALE COUPLING NUT | BRASS | NICKEL PLATED |
| 6 | CONTACT SOCKET | COPPER ALLOY | GOLD OVER NICKEL |
| 5 | INSERT (FEMALE) | PUR | BLACK |
| 4 | CONTACT PIN | COPPER ALLOY | GOLD OVER NICKEL |
| 3 | INSERT (MALE) | PUR | BLACK |
| 2 | OVERMOLD | TPC | YELLOW |
| 1 | CABLE #18/4-5 AWG | TPE JACKET | YELLOW |

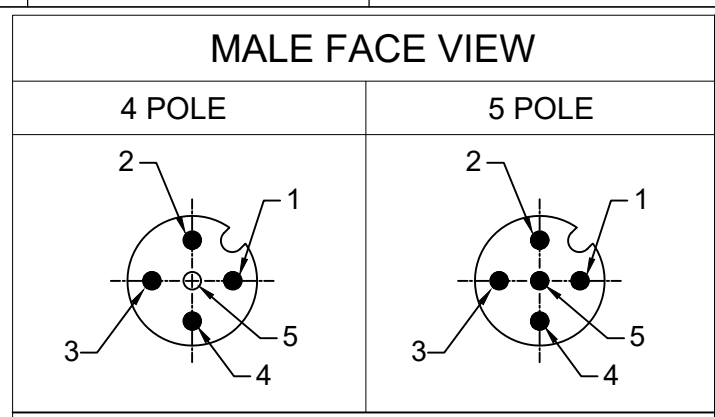
| PART NO | ENGINEERING NO. | FINISHED LENGTH | POLES | CABLE DIA. |
|------------|-----------------|-----------------|-------|------------|
| 1200661010 | 884032K03M004 | 0.4M [1FT 4 IN] | 4 | .26/6.6 |
| 1200661024 | 884032K03M150 | 15M [49FT 3 IN] | | |
| 1200661053 | 885032K03M005 | 0.5M [1FT 8 IN] | 5 | .28/7.1 |
| 1200661059 | 885032K03M050 | 5M [16FT 5 IN] | | |



PART NO. MATRIX (A)
884032K03M004

POLES (4 & 5)

FINISHED LENGTH
 M005 = 0.5 METER
 M010 = 1 METER
 M100 = 10 METER



| WIRING DIAGRAM | |
|---|---|
| 1 BROWN 2 WHITE 3 BLUE 4 BLACK 5 NOT USED | 1 BROWN 2 WHITE 3 BLUE 4 BLACK 5 GREY |

CABLE LENGTH TOLERANCES

| | |
|--------------------------|-------------------------|
| <.3M [1FT]: | +19mm-0 [+.75in-0] |
| .3 - .9M [1 - 3FT]: | +44.5mm-0 [+1.75in-0] |
| .9 - 1.8M [3 - 6FT]: | +55.6mm-0 [+2.19in-0] |
| 1.8 - 3.7M [6 - 12FT]: | +88.9mm-0 [+3.50in-0] |
| 3.7 - 7.3M [12 - 24FT]: | +165.1mm-0 [+6.50in-0] |
| 7.3-14.6M [24 - 48FT]: | +317.5mm-0 [+12.50in-0] |
| 14.6 - 30.5M [48-100FT]: | +622.3mm-0 [+24.50in-0] |
| OVER 30M [100FT] | +2% OF FINISHED LENGTH |

THIS DRAWING CONTAINS INFORMATION THAT IS PROPRIETARY TO MOLEX ELECTRONIC TECHNOLOGIES, LLC AND SHOULD NOT BE USED WITHOUT WRITTEN PERMISSION

FUNCTIONAL SYMBOLS: FA=0, FE=0, FP=0

DIMENSION UNITS: INCH/MM, SCALE: NTS

GENERAL TOLERANCES (UNLESS SPECIFIED): 4 PLACES ±---, 3 PLACES ±---, 2 PLACES ±---, 1 PLACE ±---, 0 PLACES ±---

ANGULAR TOL ± --- °

DRAFT WHERE APPLICABLE MUST REMAIN WITHIN DIMENSIONS

THIRD ANGLE PROJECTION

DRAWING: A3-SIZE

SERIES: 120066

MATERIAL NUMBER: SEE CHART

CUSTOMER: GENERAL MARKET

SHEET NUMBER: 1 OF 1

EC NO: 671333
 DRWN: ABENJAMINLW 2021/05/04
 CHK'D: RSTONE 2021/07/23
 APPR: BWOODMAN 2021/07/28

INITIAL REVISION:
 DRWN: LSTEMMLE 2010/02/01
 APPR: FPACHER 2010/02/03

DOCUMENT NUMBER: SD-120066-022 | DOC TYPE: PSD | DOC PART: 001 | REVISION: A

molex

MICRO-CHANGE CORDSET, M12
 4-5 POLE, FEMALE STRAIGHT - MALE 90DEG,
 SINGLE KEY, #18 AWG TPE HI-FLEX

PRODUCT CUSTOMER DRAWING