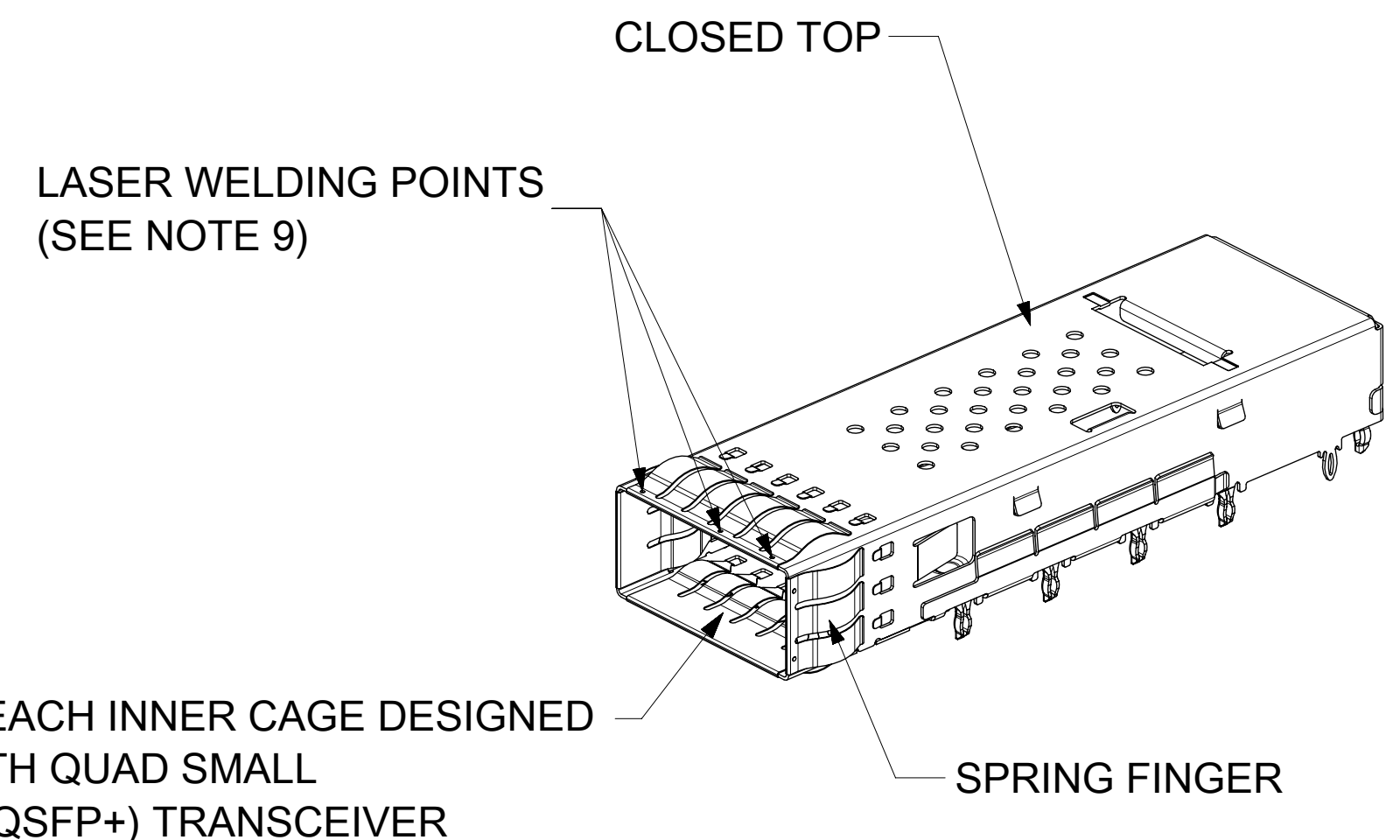
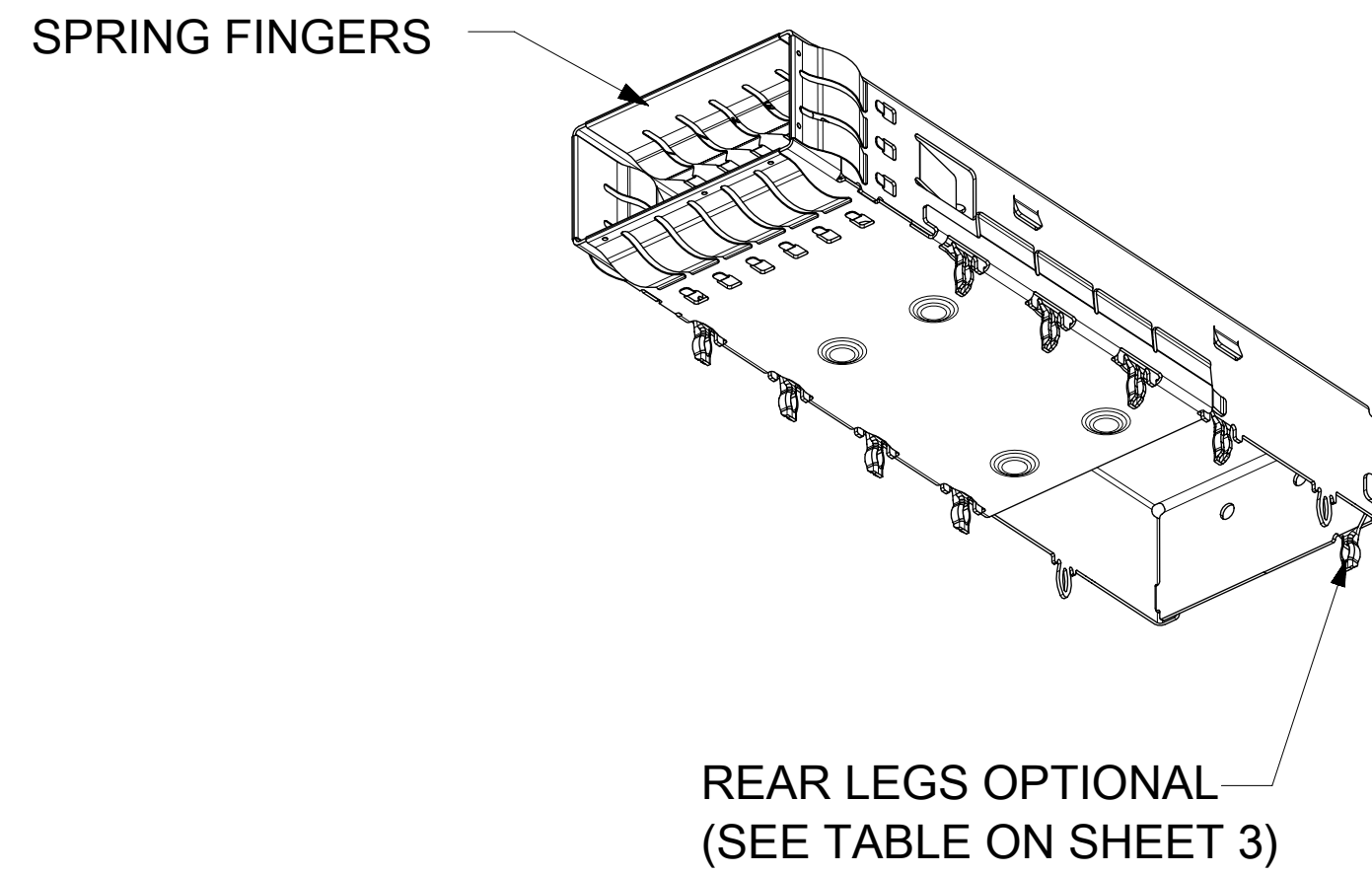
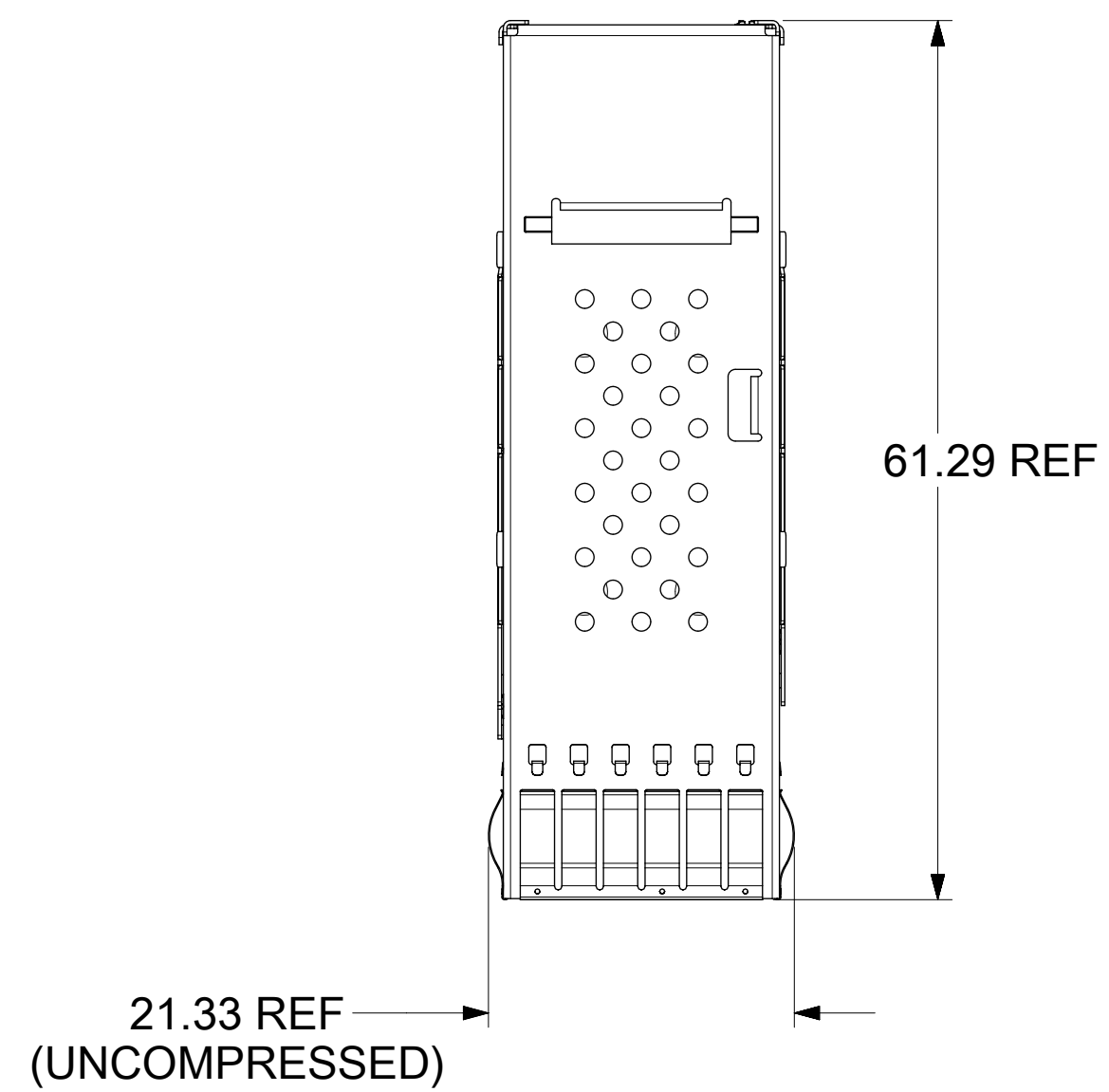


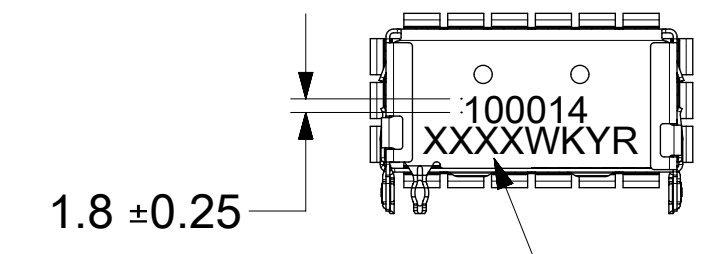
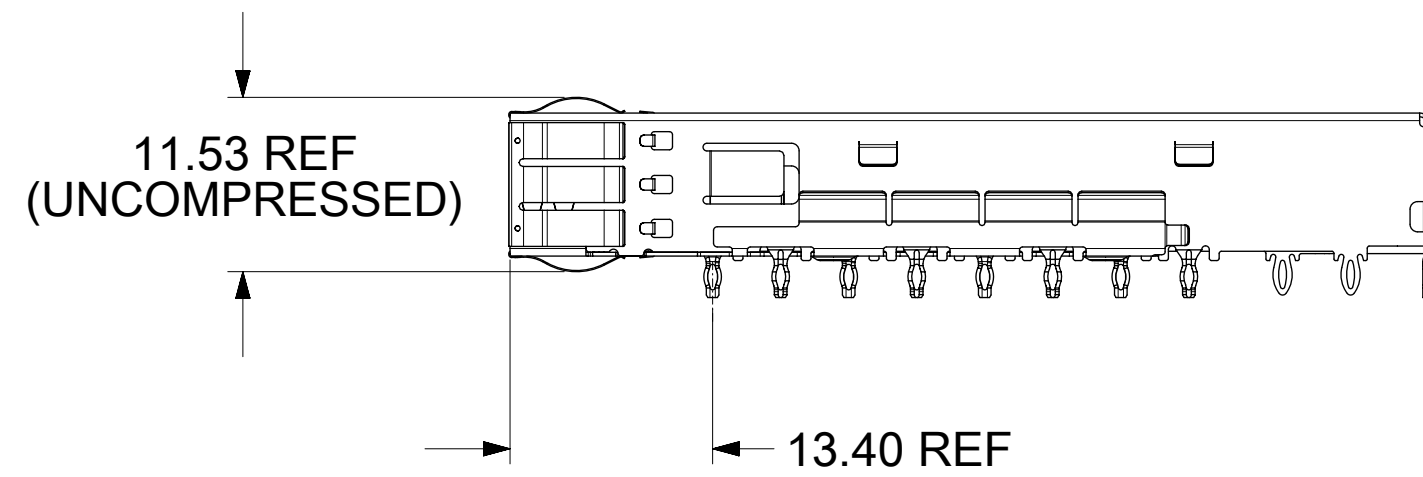
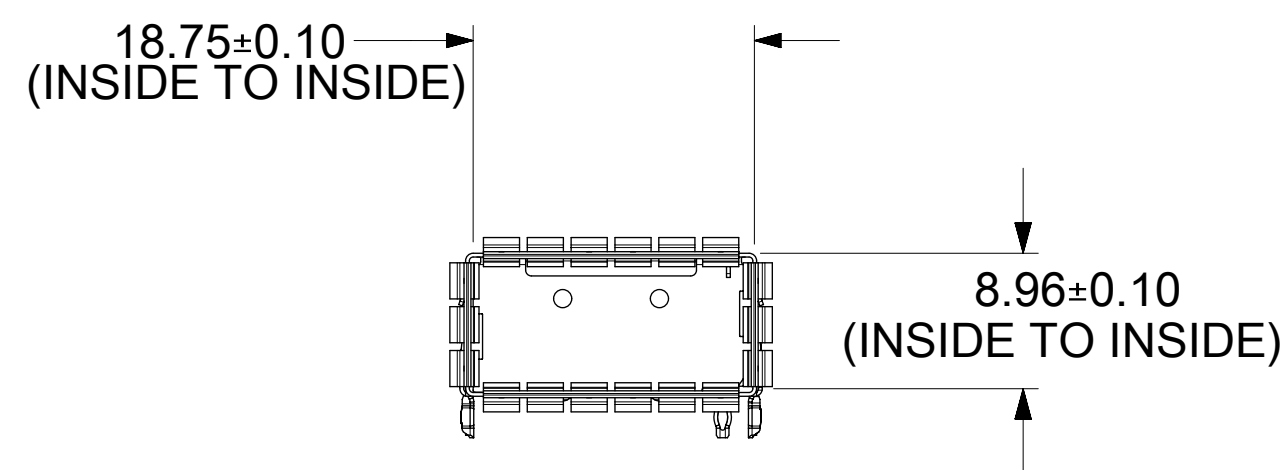
BASE CAGE DETAILS

1000143242

SHOWN



DIMENSIONS OF EACH INNER CAGE DESIGNED TO FUNCTION WITH QUAD SMALL FORM-FACTOR (zQSFP+) TRANSCEIVER



P/N AND WEEK/YEAR DATE CODE TO BE PRINTED ON BACK OF COMPLETED CAGE ASSEMBLY APPROXIMATELY AS SHOWN. SEE TABLE BELOW FOR DATE CODE INFORMATION.

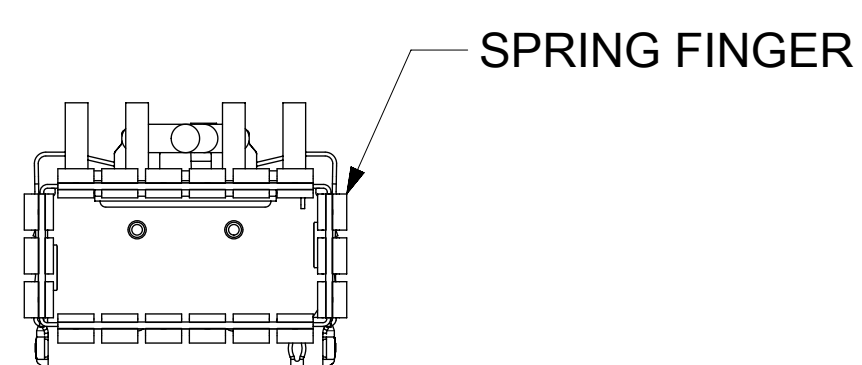
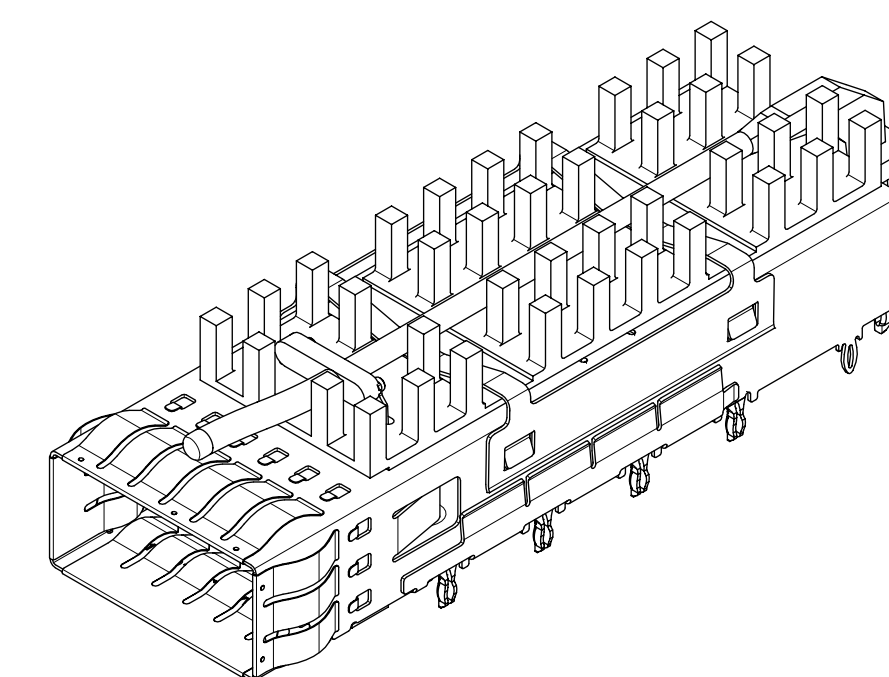
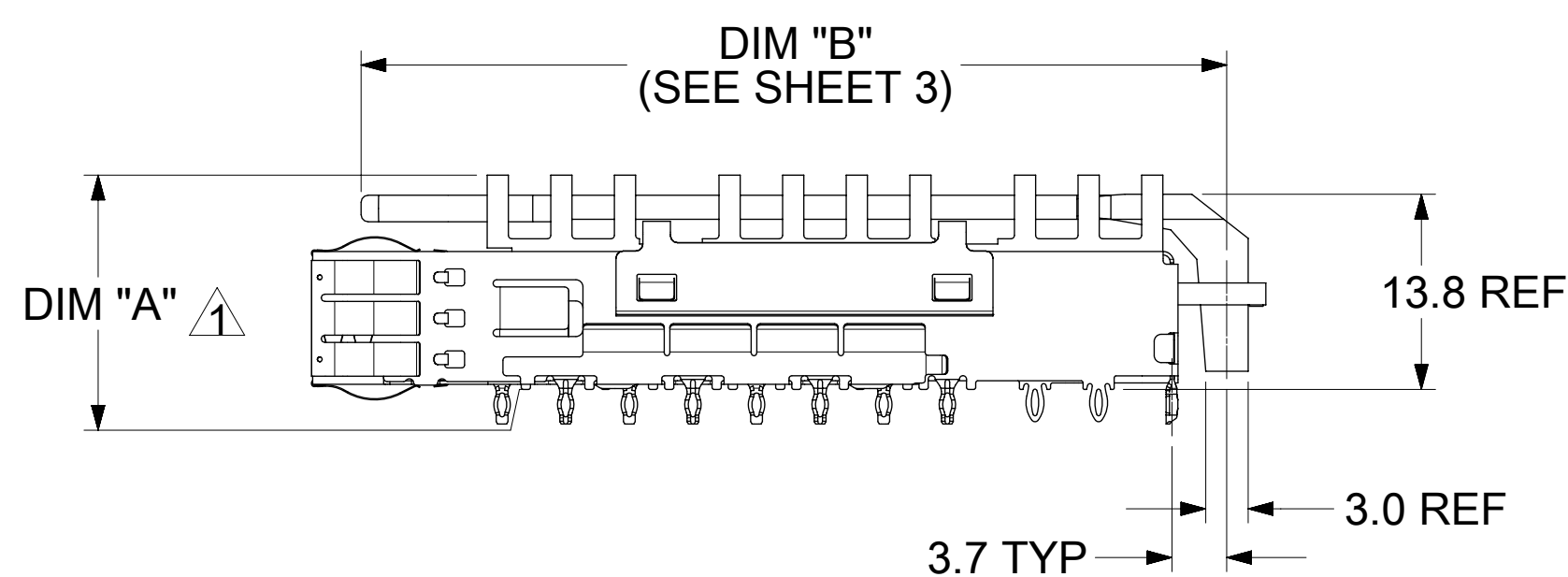
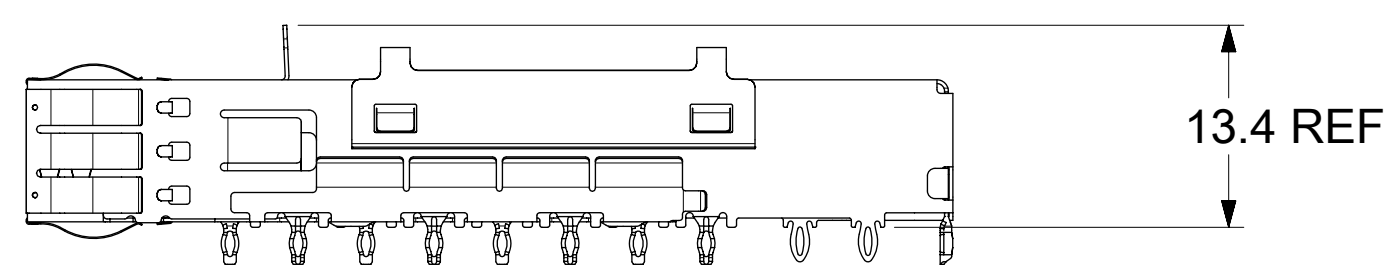
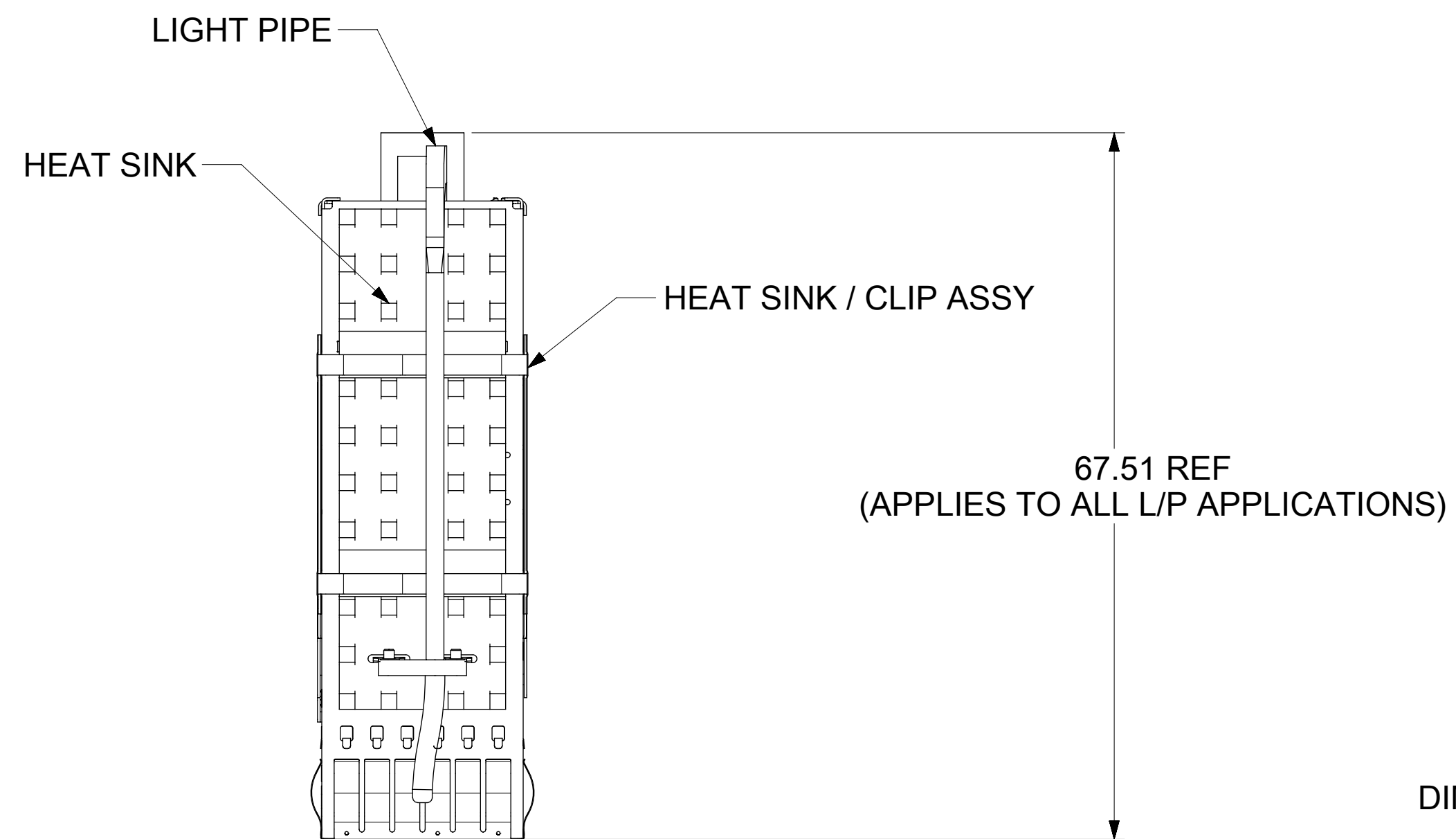
- NOTES:
- MATERIAL: CAGE: STAINLESS STEEL
SPRING FINGERS: STAINLESS STEEL
HEAT SINKS: NICKEL PLATED ALUMINUM
HEAT SINK CLIP: STAINLESS STEEL
LIGHT PIPES: POLYCARBONATE (UL 94-V-0)
 - DIMENSIONS MARKED ARE CRITICAL TO FUNCTION OF THE PART AND MUST BE INSPECTED
 - DRAWING APPLIES TO ALL P/N'S SHOWN ON PAGE 3
 - DURING FINAL INSPECTION, CAGE LEG LOCATIONS AND STRAIGHTNESS MUST BE CHECKED USING APPROPRIATE GO - NO GO GAGE
 - DURING FINAL INSPECTION, CAGE MUST BE INSPECTED TO MAKE SURE LEG CONFIGURATIONS AND PART NUMBERS ARE CORRECT, USE SHEETS 3, 4 AND 5
 - PARTS TO BE INSPECTED PER MOLEX COSMETIC SPEC WI-HP-7-2774 (CLASS B UNLESS OTHERWISE SPECIFIED)
 - PRESS-FIT LEGS 2.44 [0.096] LONG -
1.57 [0.062] MINIMUM PCB THICKNESS FOR SINGLE SIDED USE.
3.00 [0.118] MINIMUM PCB THICKNESS FOR BELLY TO BELLY USE.
 - NO RoHS EXEMPTIONS
 - WELD SPOTS MAY SHOW SLIGHT MATERIAL DISCOLORATION.

| WEEK/YEAR DATE CODE TABLE | |
|---------------------------|---|
| WK | WEEK OF THE YEAR 01 THRU 52 (EXAMPLE: 01= FIRST WEEK OF YEAR 52= LAST WEEK OF YEAR) |
| YR | 22, 23, 24 ETC.. (EXAMPLE: YEAR 2022= 22) |
| FUNCTIONAL SYMBOLS | THIS DRAWING CONTAINS INFORMATION THAT IS PROPRIETARY TO MOLEX ELECTRONIC TECHNOLOGIES, LLC AND SHOULD NOT BE USED WITHOUT WRITTEN PERMISSION |
| = 0 | DIMENSION UNITS: mm SCALE: 2:1 |
| = 0 | GENERAL TOLERANCES (UNLESS SPECIFIED) |
| = 1 | ANGULAR TOL ± 2.0° |
| DIVISIONAL SYMBOLS | 4 PLACES ± |
| | 3 PLACES ± |
| | 2 PLACES ± 0.15 |
| | 1 PLACE ± 0.25 |
| | 0 PLACES ± |
| | DRAFT WHERE APPLICABLE MUST REMAIN WITHIN DIMENSIONS |
| | THIRD ANGLE PROJECTION |
| | DRAWING SERIES: D-SIZE 100014 |
| | EC NO: 698842 |
| | DRWN: TKUMARKC 2022/02/17 |
| | CHK'D: TKUMARKC 2022/03/16 |
| | APPR: JCHIANG 2022/03/28 |
| | INITIAL REVISION: DRWN: TKUMARKC 2022/02/17 |
| | APPR: JCHIANG 2022/03/28 |
| | DOCUMENT NUMBER: 1000143200 |
| | DOC TYPE: PSD |
| | DOC PART: ASY |
| | REVISION: A |
| | MATERIAL NUMBER: 100014 |
| | CUSTOMER: GENERAL MARKET |
| | SHEET NUMBER: 1 OF 7 |

CAGE ASSEMBLY OPTIONS

1000143541

SHOWN



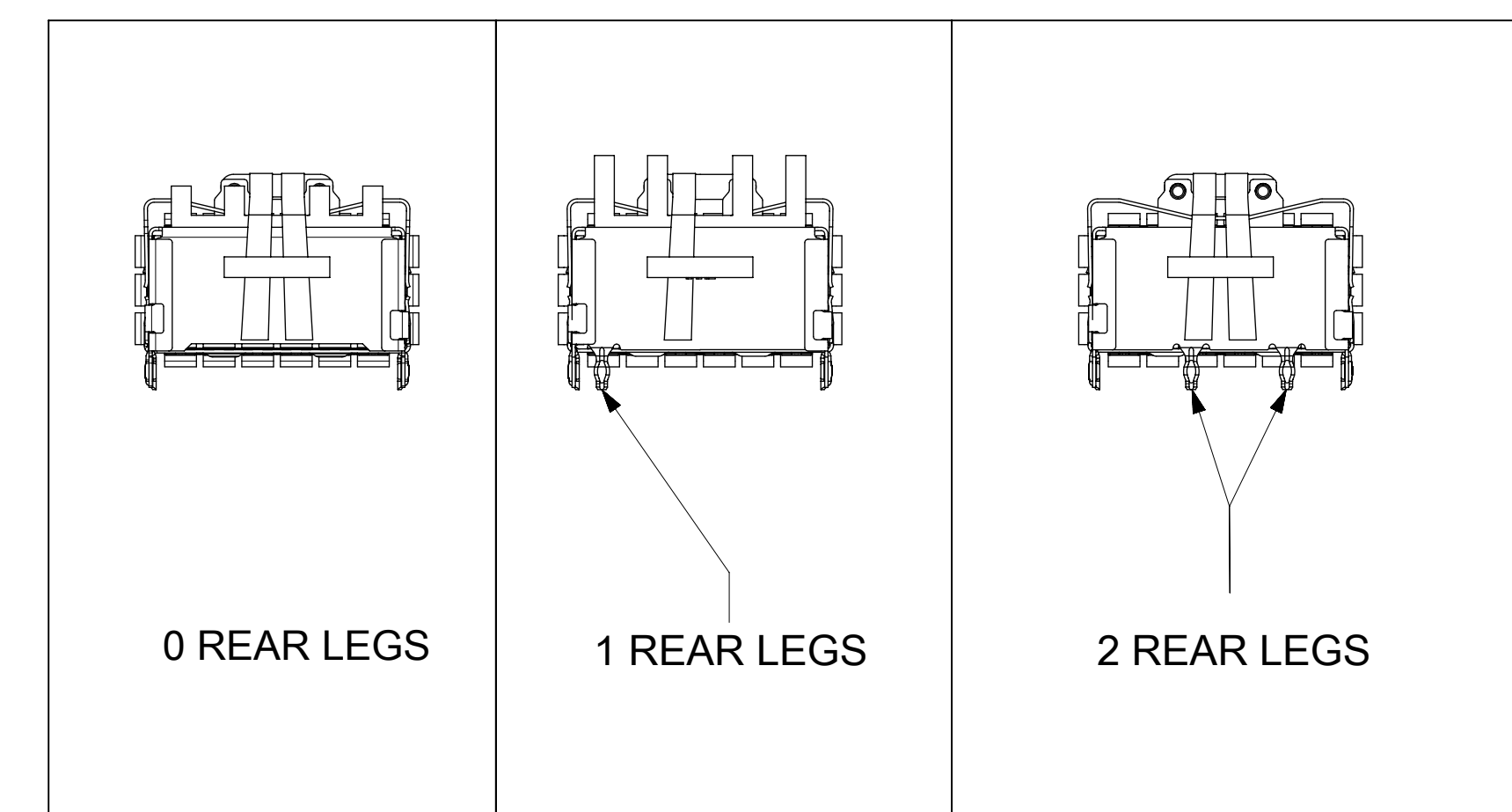
HEATSINK HEIGHT OPTIONS

| OVERALL HEAT SINK HEIGHT | DIM "A" |
|--------------------------|----------|
| PCI | 13.7 REF |
| SAN | 16.0 REF |
| NET | 23.0 REF |

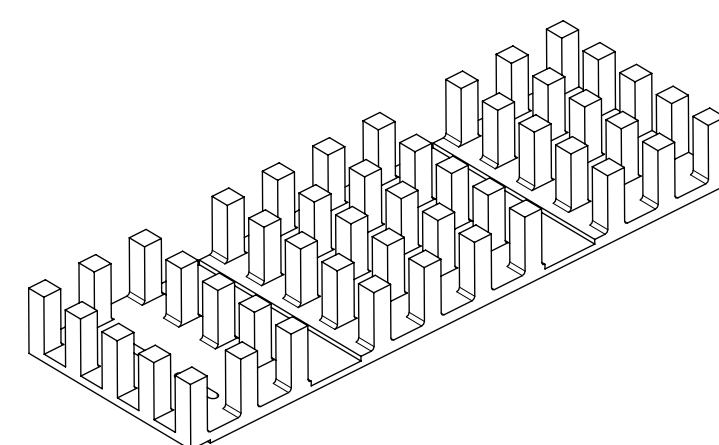


HEIGHT OF HEAT SINK WITH MODULE INSERTED. DIMENSION MAY BE LESS DUE TO MODULE AND HEAT SINK VARIATIONS

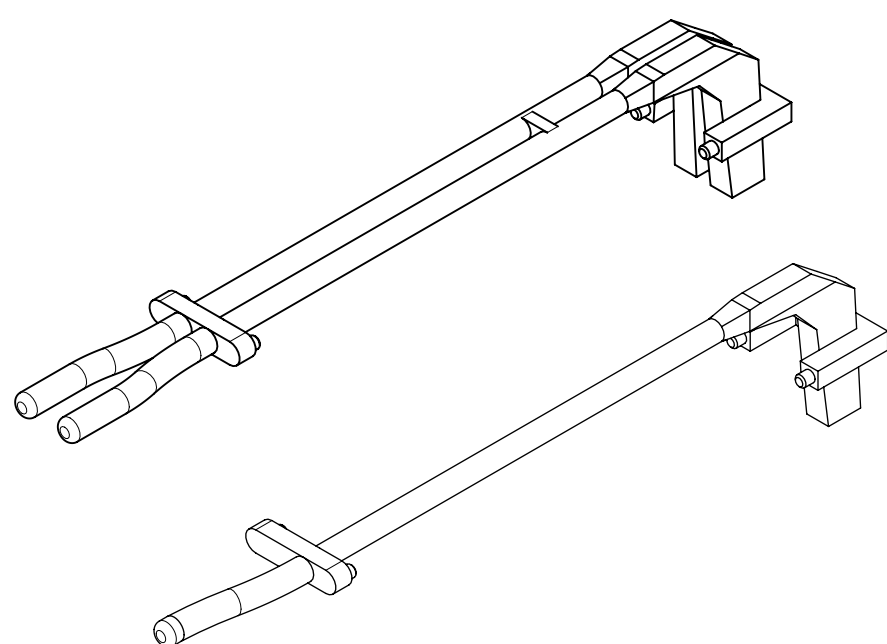
REAR LEG OPTIONS



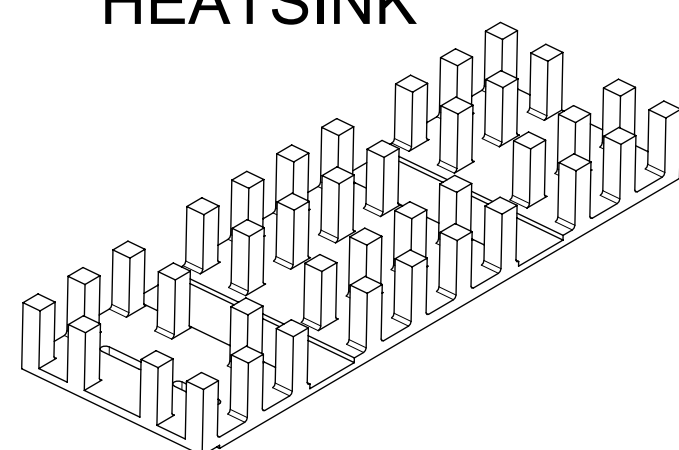
HEAT SINK USED WITHOUT LIGHTPIPE



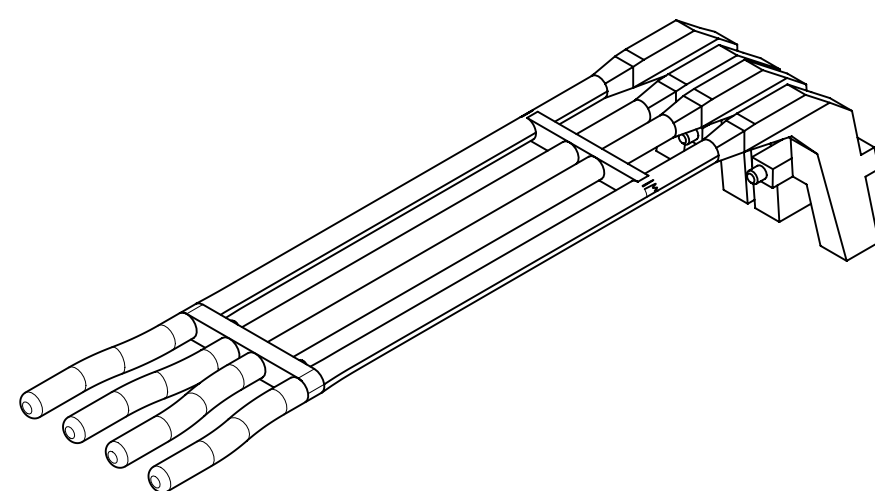
SINGLE / DUAL LIGHT PIPE



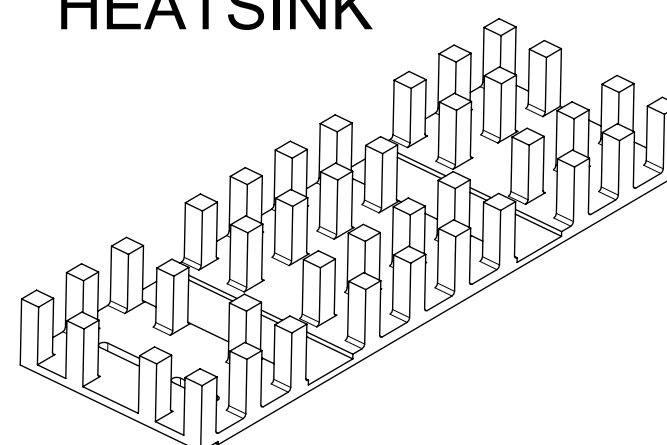
HEATSINK



QUAD LIGHT PIPE



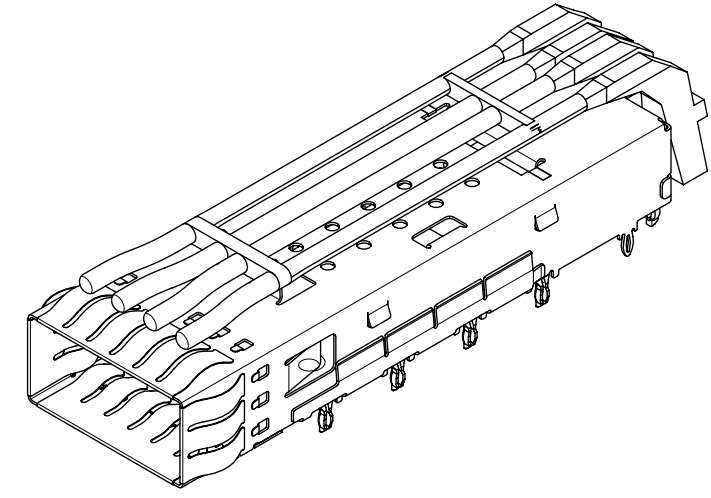
HEATSINK



| | | | | |
|---|---|-------------------|--------------------------------------|----------------|
| FUNCTIONAL SYMBOLS $F_A = 0$ $F_C = 0$ $F_D = 0$ | THIS DRAWING CONTAINS INFORMATION THAT IS PROPRIETARY TO MOLEX ELECTRONIC TECHNOLOGIES, LLC AND SHOULD NOT BE USED WITHOUT WRITTEN PERMISSION | | CURRENT REV DESC: SEE REVISION TABLE | |
| | DIMENSION UNITS | SCALE | | |
| | mm | 2:1 | | |
| | GENERAL TOLERANCES (UNLESS SPECIFIED) | | | |
| ANGULAR TOL $\pm 2.0^\circ$ | | | | |
| 4 PLACES \pm | | EC NO: 698842 | | |
| 3 PLACES \pm | | DRWN: TKUMARKC | 2022/02/17 | |
| 2 PLACES ± 0.15 | | CHK'D: TKUMARKC | 2022/03/16 | |
| 1 PLACE ± 0.25 | | APPR: JCHIANG | 2022/03/28 | |
| 0 PLACES \pm | | INITIAL REVISION: | | |
| DRAFT WHERE APPLICABLE MUST REMAIN WITHIN DIMENSIONS | | DRWN: TKUMARKC | 2022/02/17 | |
| THIRD ANGLE PROJECTION | | APPR: JCHIANG | 2022/03/28 | |
| DRAWING | | SERIES | MATERIAL NUMBER | CUSTOMER |
| D-SIZE | | 100014 | 1000143200 | GENERAL MARKET |
| | | | DOC TYPE | DOC PART |
| | | | PSD | ASY |
| | | | REVISION | A |
| | | | SHEET NUMBER | 2 OF 7 |

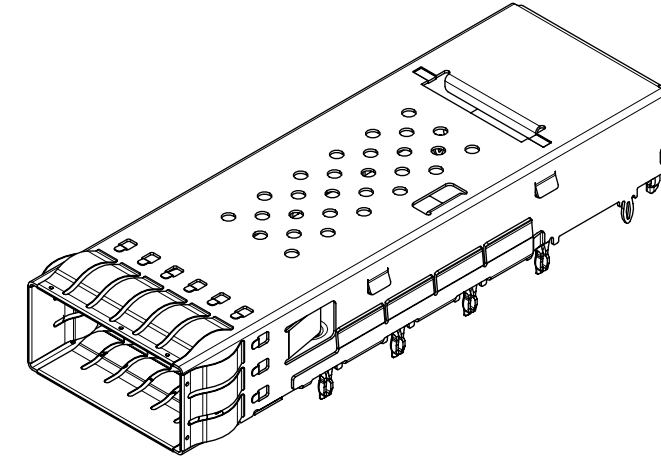
PART NUMBER SELECTION

NO HEATSINKS
WITH LIGHT PIPES
CLOSED TOP



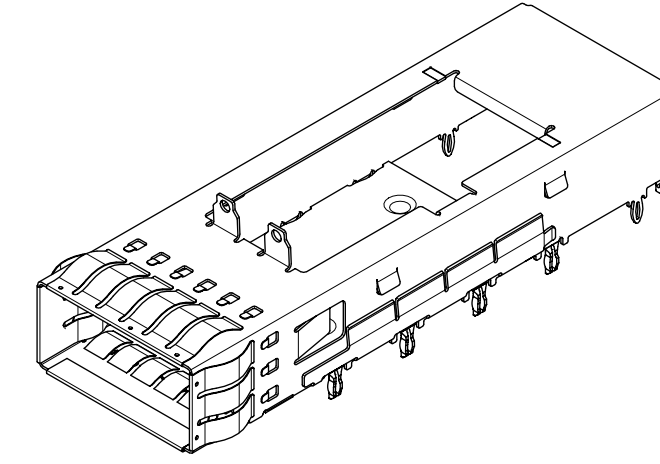
| MOLEX P/N | LIGHT PIPES | #OF REAR LEGS PER PORT | DIM "B" |
|------------|-------------|------------------------|-----------|
| 1000143235 | QUAD | 0 | 61.07 REF |

NO HEATSINKS
NO LIGHT PIPES
CLOSED TOP



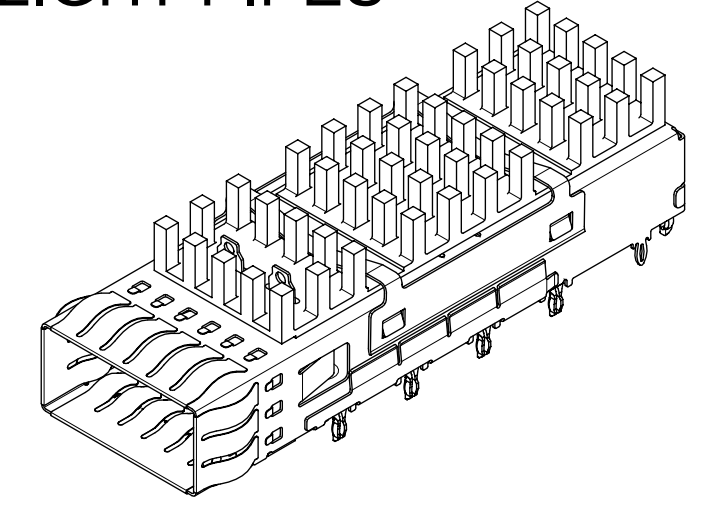
| MOLEX P/N W/ SPRING FINGERS | #OF REAR LEGS PER PORT |
|--------------------------------|---------------------------|
| 1000143240 | 0 |
| 1000143242 | 1 |

NO HEATSINKS
NO LIGHT PIPES
OPEN TOP



| MOLEX P/N W/ SPRING FINGERS | #OF REAR LEGS PER PORT | LP TAB FEATURE |
|--------------------------------|---------------------------|----------------|
| 1000143250 | 0 | YES |
| 1000143252 | 1 | YES |

WITH HEATSINKS
NO LIGHT PIPES



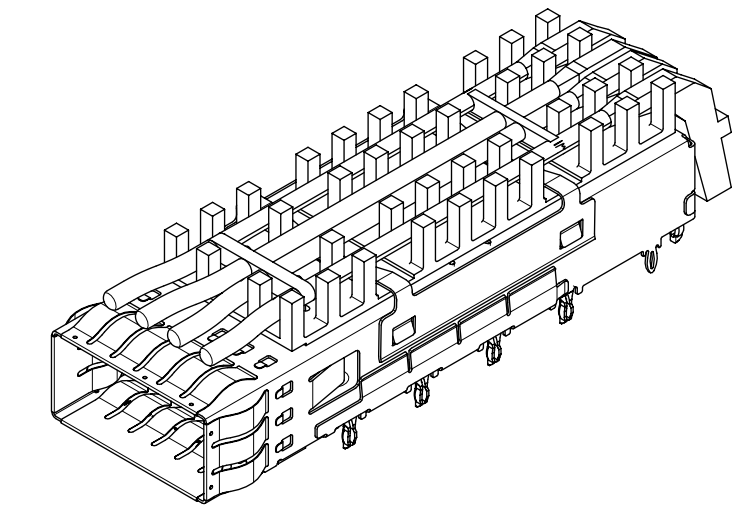
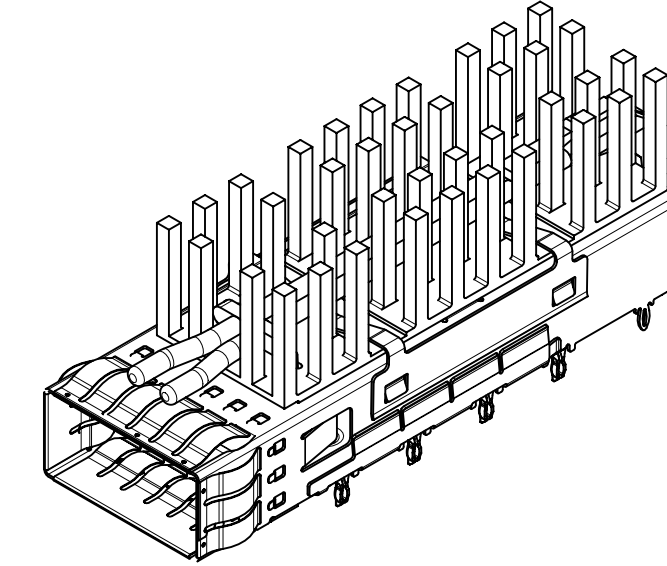
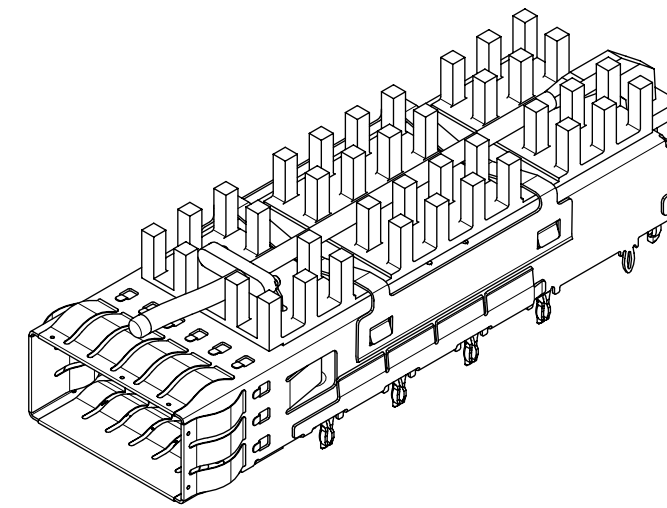
| MOLEX P/N | HEATSINKS | #OF REAR LEGS PER PORT |
|------------|-----------|---------------------------|
| 1000143340 | PCI | 0 |
| 1000143341 | SAN | 0 |
| 1000143342 | NET | 0 |
| 1000143343 | PCI | 1 |
| 1000143344 | SAN | 1 |
| 1000143345 | NET | 1 |
| 1000143346 | PCI | 2 |

SINGLE LIGHT PIPE

DUAL LIGHT PIPE

QUAD LIGHT PIPE

WITH HEATSINKS AND LIGHT PIPES

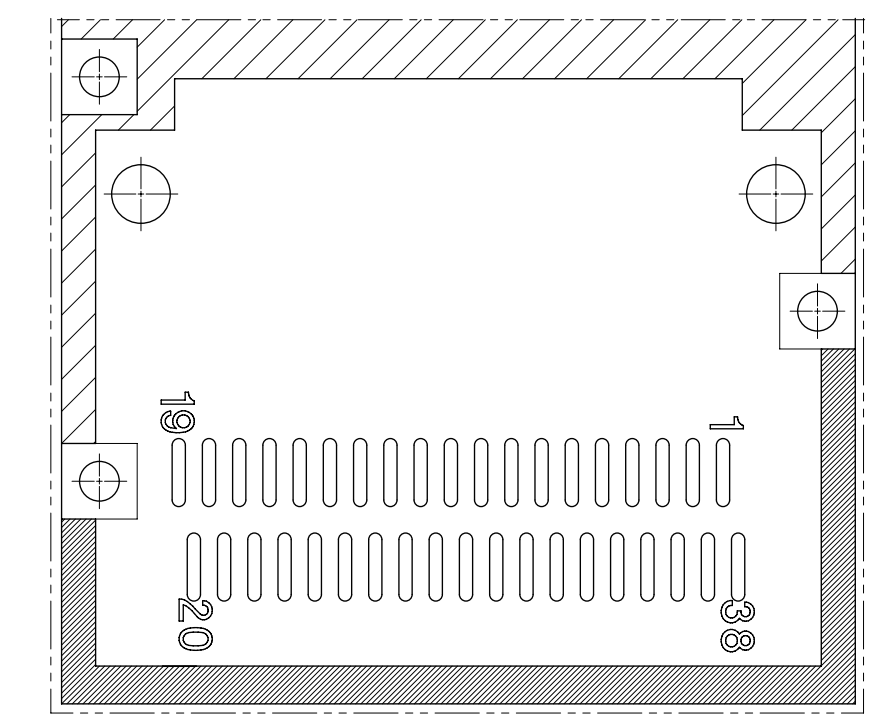


| MOLEX P/N | LIGHTPIPES | HEATSINKS | #OF REAR LEGS PER PORT | DIM "B" |
|------------|------------|-----------|---------------------------|-----------|
| 1000143442 | SINGLE | NET | 0 | 61.07 REF |
| 1000143443 | DUAL | PCI | 0 | 61.07 REF |
| 1000143445 | DUAL | NET | 0 | 61.07 REF |
| 1000143447 | QUAD | SAN | 0 | 61.07 REF |
| 1000149448 | QUAD | NET | 0 | 61.07 REF |
| 1000143541 | SINGLE | SAN | 1 | 61.07 REF |
| 1000143542 | SINGLE | NET | 1 | 61.07 REF |
| 1000149547 | QUAD | SAN | 1 | 61.07 REF |
| 1000143548 | QUAD | NET | 1 | 61.07 REF |
| 1000143646 | QUAD | PCI | 2 | 61.07 REF |

| | | | | | |
|--|---|---------------------------|--------------------------------------|--------------------------|--|
| FUNCTIONAL SYMBOLS FA = 0 FC = 0 FD = 0 DIVISIONAL SYMBOLS | THIS DRAWING CONTAINS INFORMATION THAT IS PROPRIETARY TO MOLEX ELECTRONIC TECHNOLOGIES, LLC AND SHOULD NOT BE USED WITHOUT WRITTEN PERMISSION | | CURRENT REV DESC: SEE REVISION TABLE | | |
| | DIMENSION UNITS | SCALE | EC NO: 698842 | | |
| | mm | 1.5:1 | DRWN: TKUMARKC 2022/02/17 | | |
| | GENERAL TOLERANCES (UNLESS SPECIFIED) | | CHK'D: TKUMARKC 2022/03/16 | | |
| ANGULAR TOL ± 2.0° | | APPR: JCHIANG 2022/03/28 | | PRODUCT CUSTOMER DRAWING | |
| 4 PLACES ± | | INITIAL REVISION: | | DOCUMENT NUMBER | |
| 3 PLACES ± | | DRWN: TKUMARKC 2022/02/17 | | 1000143200 | |
| 2 PLACES ± 0.15 | | APPR: JCHIANG 2022/03/28 | | PSD ASY A | |
| 1 PLACE ± 0.25 | | DRAFT WHERE APPLICABLE | | MATERIAL NUMBER | |
| 0 PLACES ± | | THIRD ANGLE PROJECTION | | CUSTOMER | |
| MUST REMAIN WITHIN DIMENSIONS | | D-SIZE | | SERIES | |
| | | 100014 | | GENERAL MARKET | |
| | | | | SHEET NUMBER | |
| | | | | 3 OF 7 | |

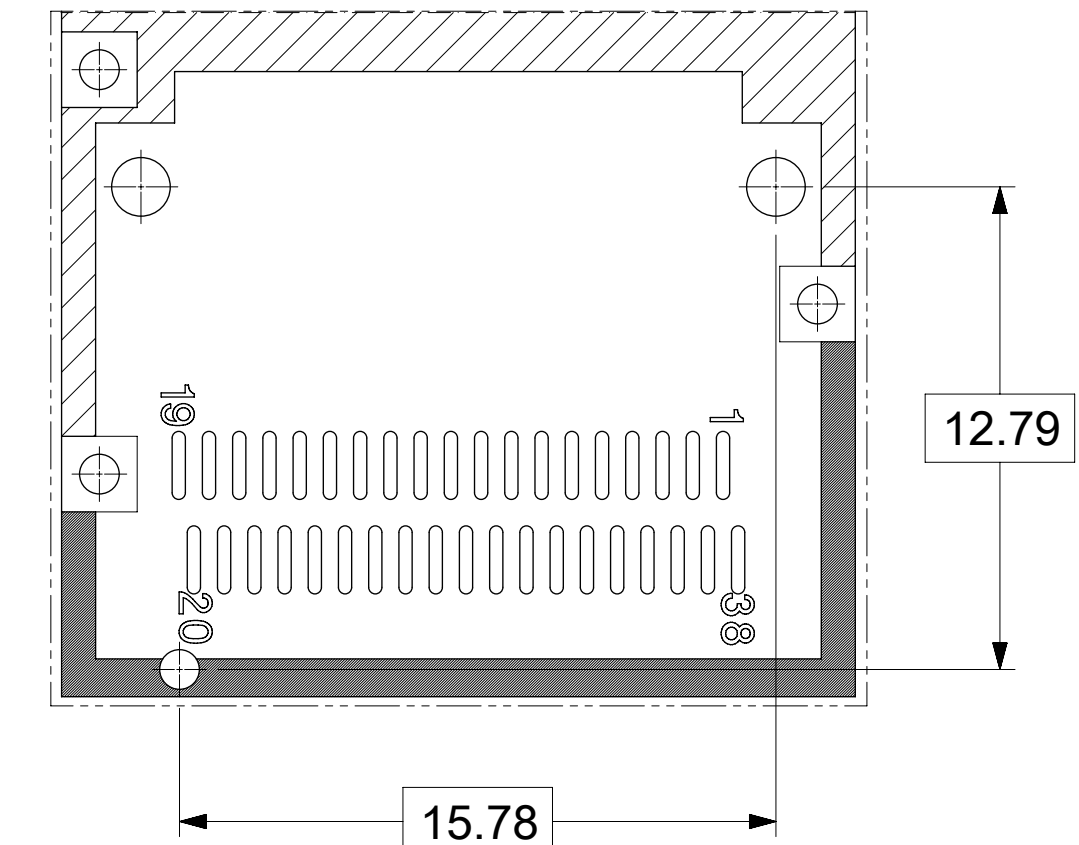
PCB LAYOUT FOR SINGLE SIDED MOUNTING

NO REAR LEGS



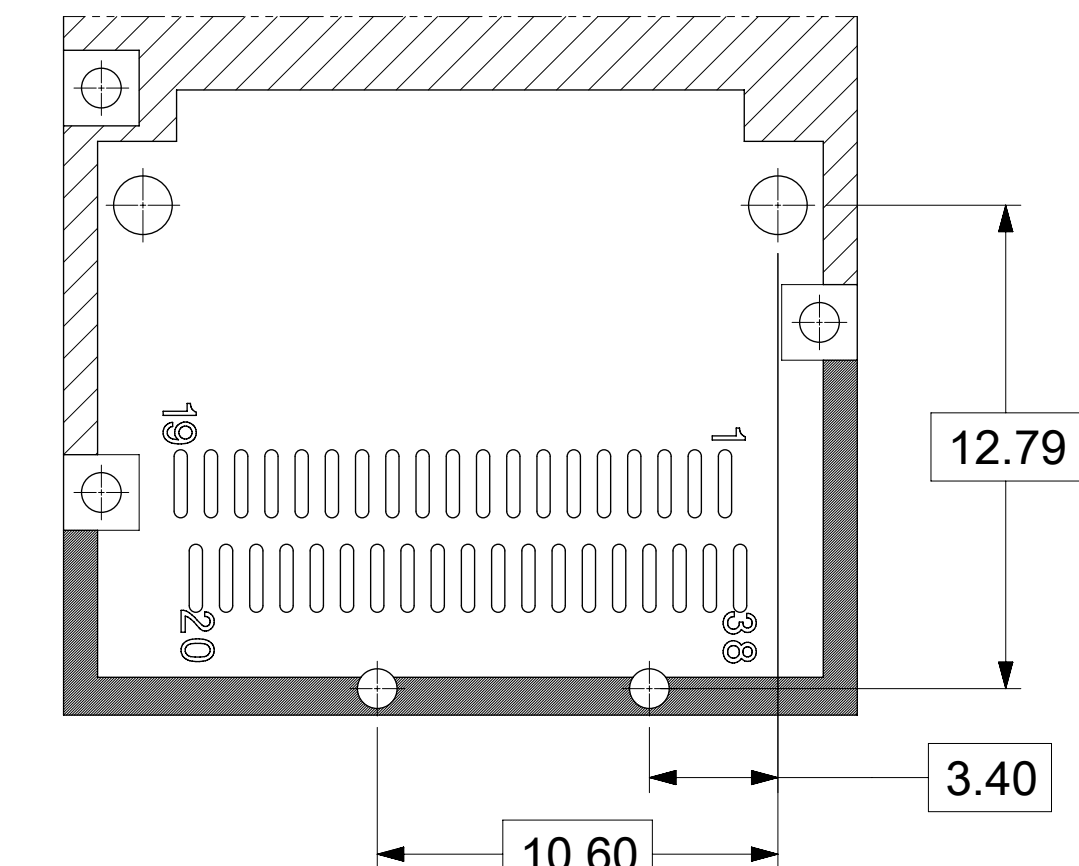
PARTIAL 1
SCALE 5:1

1 REAR LEG

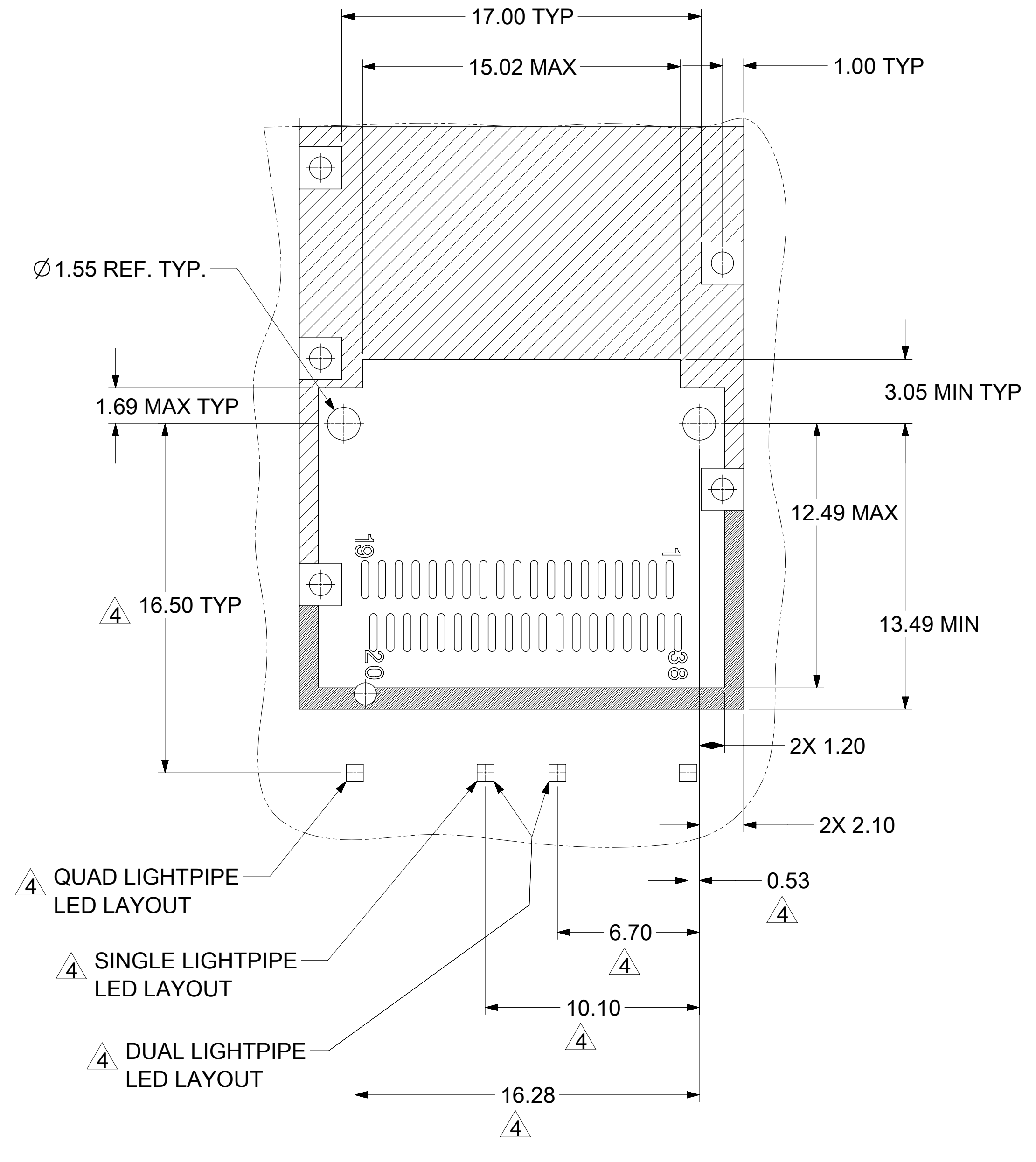
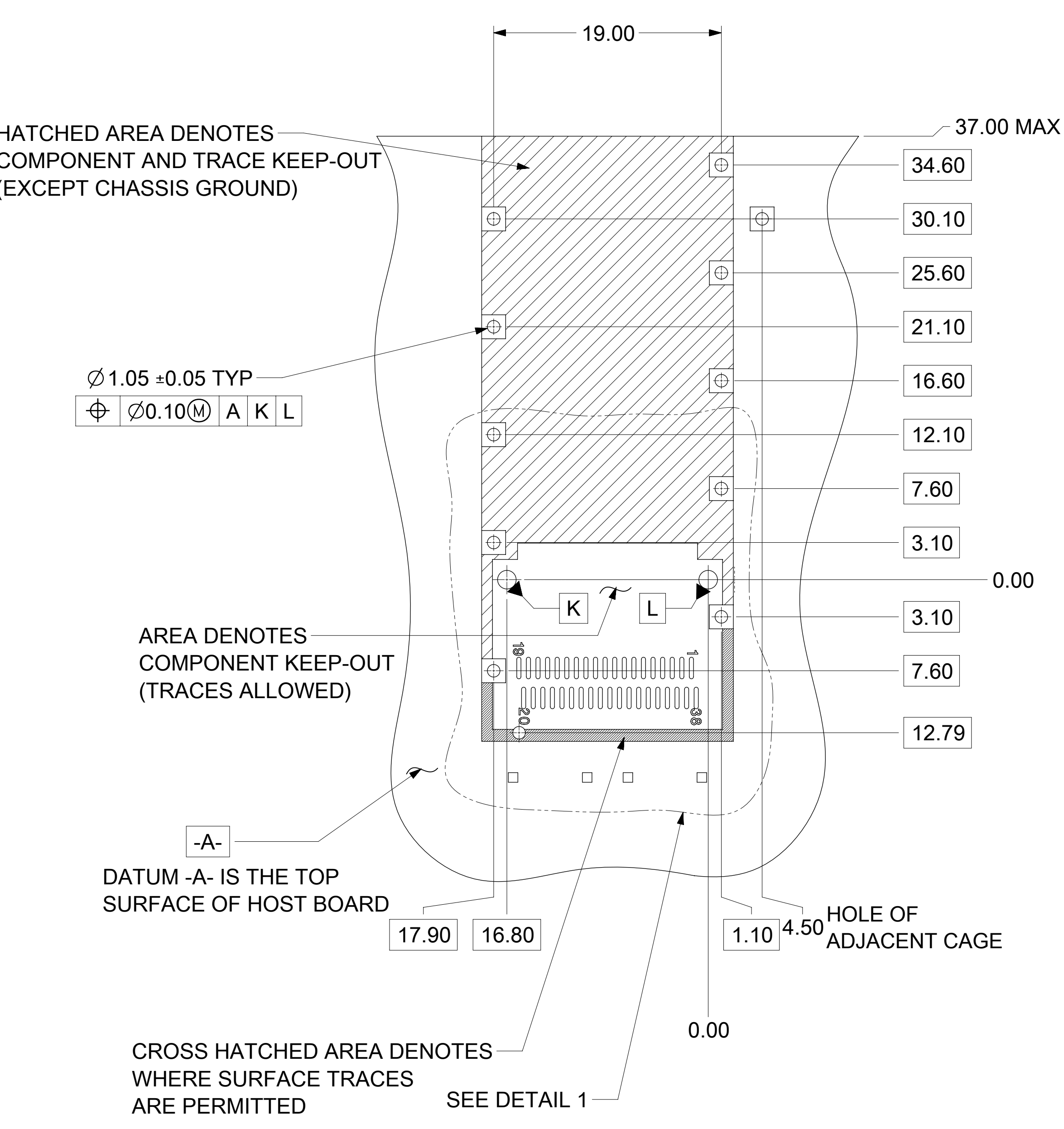


PARTIAL 2
SCALE 5:1

2 REAR LEGS



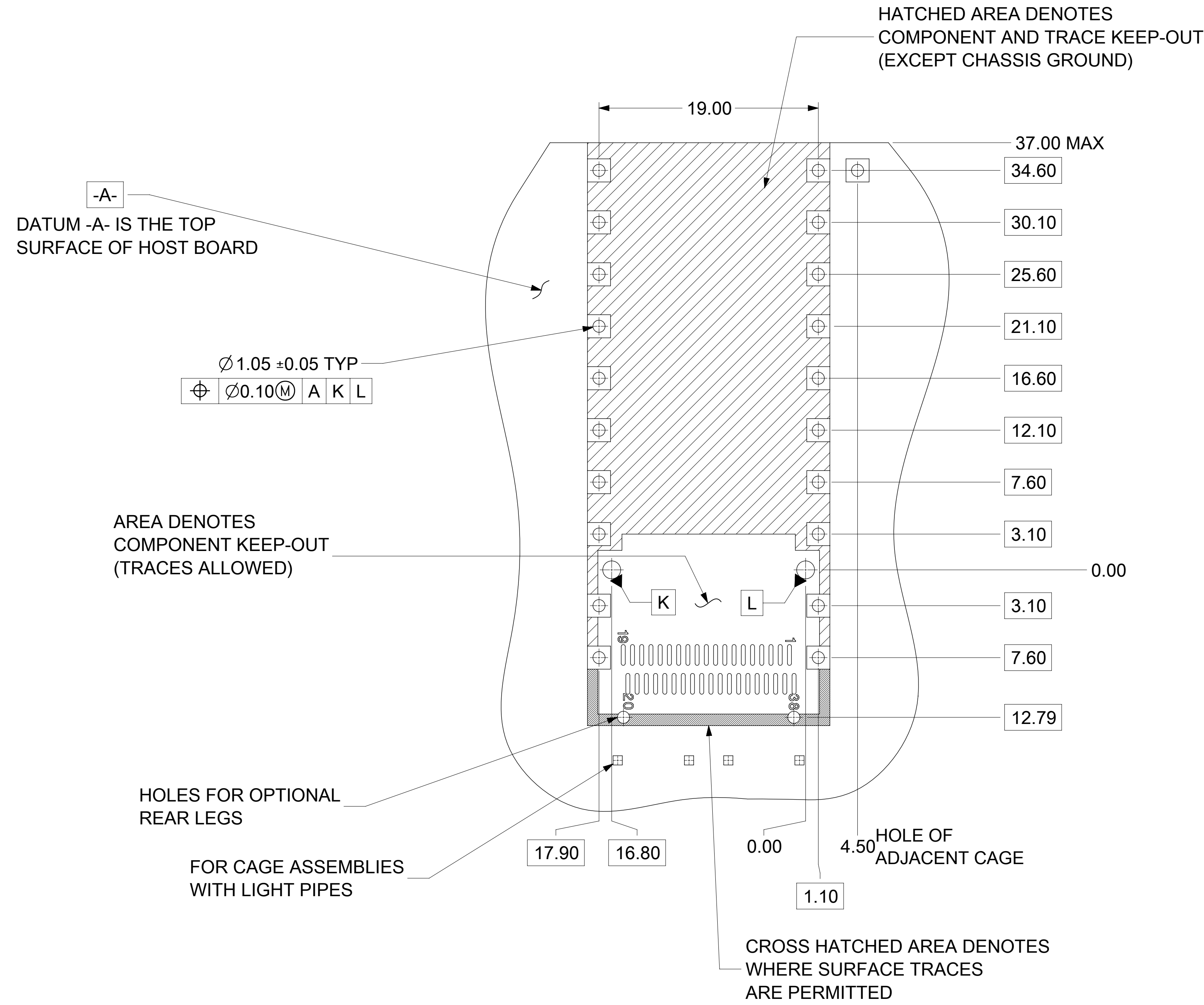
PARTIAL 3
SCALE 5:1



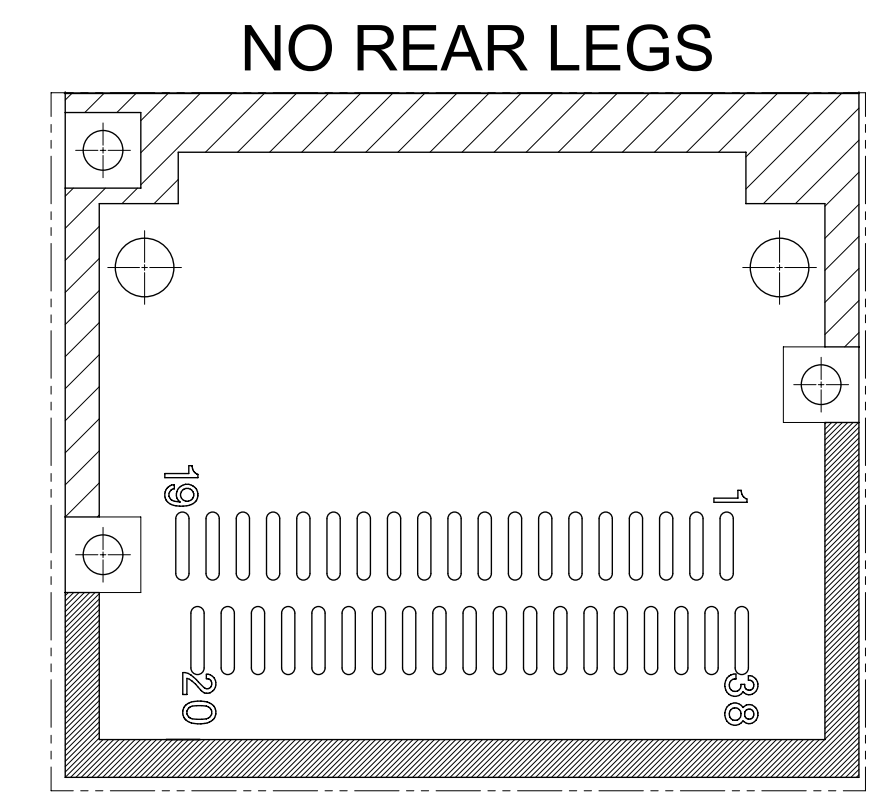
- NOTES:
1. PADS AND VIAS GO TO CHASSIS GROUND. (RECOMMENDED PADS TO BE 2.00mm SQUARE.)
 2. RECOMMENDED THRU HOLE PLATING INCLUDES HASL, OSP, OR IMMERSION (GOLD, SILVER, OR TIN).
 3. CONNECTOR PAD LAYOUT PER SFF-8663 WILL ACCOMMODATE MOLEX CONNECTOR SERIES 170432.
 4. NOTED DIMENSIONS ONLY APPLY TO CAGE ASSEMBLIES WITH LIGHT PIPES.

| | | | | | |
|--|---|--|--------------------------------------|--|--|
| FUNCTIONAL SYMBOLS FA = 0 FC = 0 FD = 0 DIVISIONAL SYMBOLS | THIS DRAWING CONTAINS INFORMATION THAT IS PROPRIETARY TO MOLEX ELECTRONIC TECHNOLOGIES, LLC AND SHOULD NOT BE USED WITHOUT WRITTEN PERMISSION | | CURRENT REV DESC: SEE REVISION TABLE | | ZQSFP+ 1X1 CAGE ASSY'S W/ SUS TAB TYPE SPRING FINGER, H/S & L/P OPTIONS PRODUCT CUSTOMER DRAWING |
| | DIMENSION UNITS: mm SCALE: 3.5:1 GENERAL TOLERANCES (UNLESS SPECIFIED) ANGULAR TOL ± 2.0° | EC NO: 698842 DRWN: TKUMARKC 2022/02/17 CHK'D: TKUMARKC 2022/03/16 APPR: JCHIANG 2022/03/28 | | DOCUMENT NUMBER: 1000143200 DOC TYPE: PSD DOC PART: ASY REVISION: A | |
| | 4 PLACES ± 3 PLACES ± 2 PLACES ± 0.15 1 PLACE ± 0.25 0 PLACES ± | INITIAL REVISION: DRWN: TKUMARKC 2022/02/17 APPR: JCHIANG 2022/03/28 | | MATERIAL NUMBER: 100014 CUSTOMER: GENERAL MARKET SHEET NUMBER: 4 OF 7 | |
| | DRAFT WHERE APPLICABLE MUST REMAIN WITHIN DIMENSIONS | THIRD ANGLE PROJECTION | DRAWING: D-SIZE SERIES: 100014 | | |

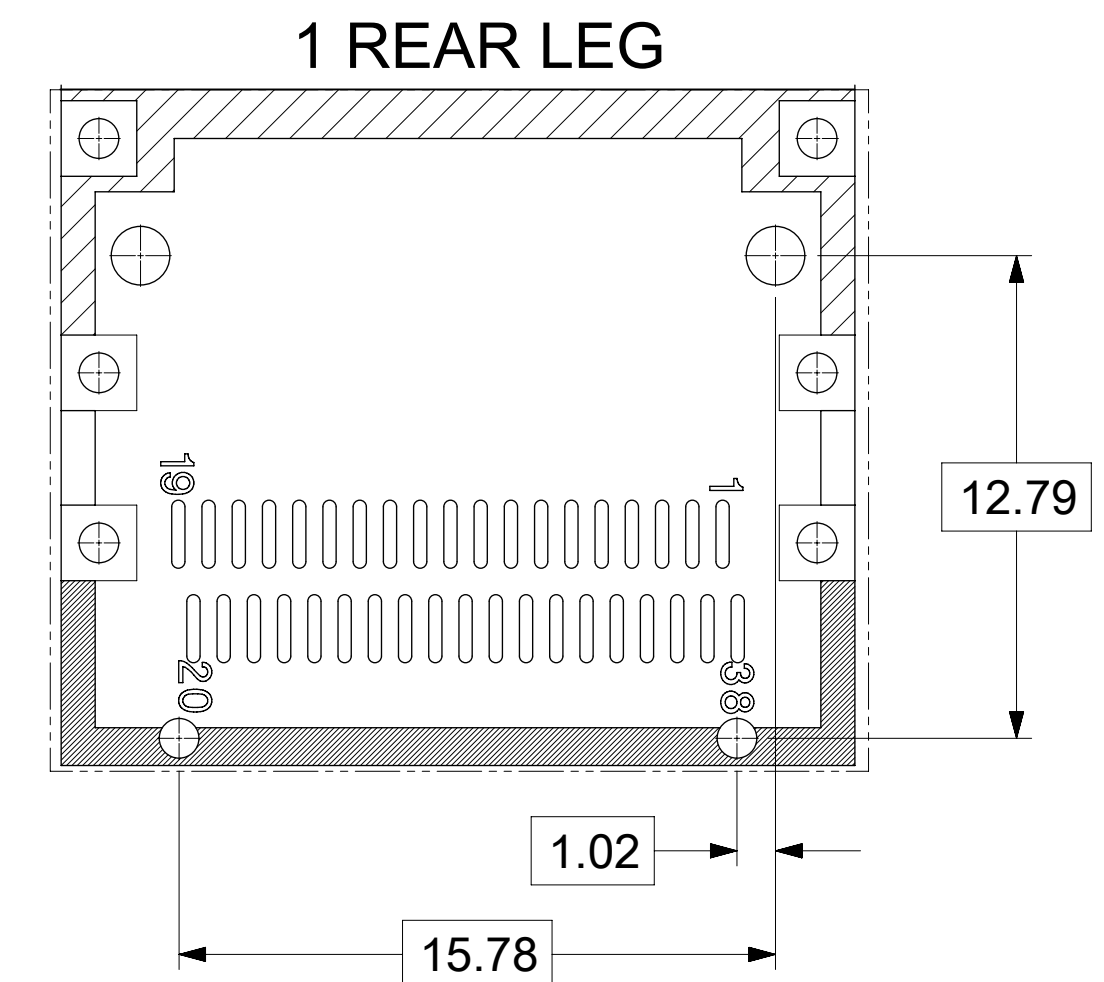
PCB LAYOUT FOR BELLY TO BELLY MOUNTING



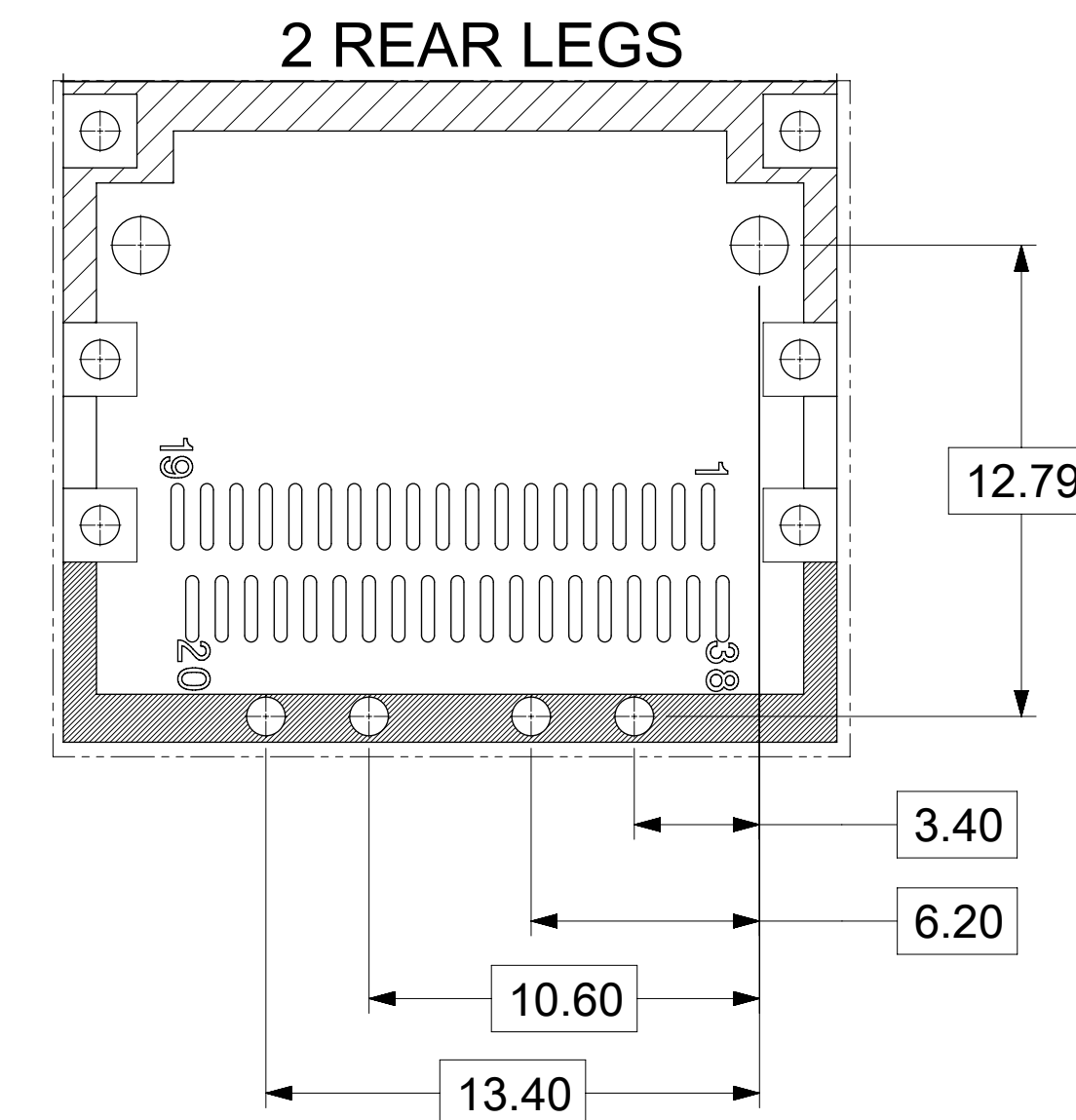
NOTE:
SEE SHEET 4 FOR
HOST CONNECTOR DETAIL
AND LED LOCATION DETAILS



PARTIAL 1
SCALE 5:1



PARTIAL 5
SCALE 5:1



PARTIAL 6
SCALE 5:1

- NOTES:
1. PADS AND VIAS GO TO CHASSIS GROUND. (RECOMMENDED PADS TO BE 2.00mm SQUARE.)
 2. RECOMMENDED THRU HOLE PLATING INCLUDES HASL, OSP, OR IMMERSION (GOLD, SILVER, OR TIN).
 3. CONNECTOR PAD LAYOUT PER SFF-8663 WILL ACCOMODATE MOLEX CONNECTOR SERIES 170432.

| | | | | |
|--|---|------------------------|--------------------------------------|---------------------|
| FUNCTIONAL SYMBOLS | THIS DRAWING CONTAINS INFORMATION THAT IS PROPRIETARY TO MOLEX ELECTRONIC TECHNOLOGIES, LLC AND SHOULD NOT BE USED WITHOUT WRITTEN PERMISSION | | CURRENT REV DESC: SEE REVISION TABLE | |
| | FA = 0 | mm | SCALE | 4:1 |
| DIVISIONAL SYMBOLS | GENERAL TOLERANCES (UNLESS SPECIFIED) | | EC NO: 698842 | |
| | FC = 0 | ANGULAR TOL ± 2.0° | DRWN: TKUMARKC | 2022/02/17 |
| DIVISIONAL SYMBOLS | FP = 0 | 4 PLACES ± | CHK'D: TKUMARKC | 2022/03/16 |
| | | 3 PLACES ± | APPR: JCHIANG | 2022/03/28 |
| | | 2 PLACES ± 0.15 | INITIAL REVISION: | |
| | | 1 PLACE ± 0.25 | DRWN: TKUMARKC | 2022/02/17 |
| | 0 PLACES ± | APPR: JCHIANG | 2022/03/28 | |
| DRAFT WHERE APPLICABLE MUST REMAIN WITHIN DIMENSIONS | | THIRD ANGLE PROJECTION | DRAWING | SERIES |
| | | | D-SIZE | 100014 |
| DOCUMENT STATUS | | P1 | RELEASE DATE | 2022/03/28 08:56:17 |
| 19 | | 18 | 17 | 16 |
| 15 | | 14 | 13 | 12 |
| 11 | | 10 | 9 | 8 |
| 7 | | 6 | 5 | 4 |
| 3 | | 2 | 1 | |

molex

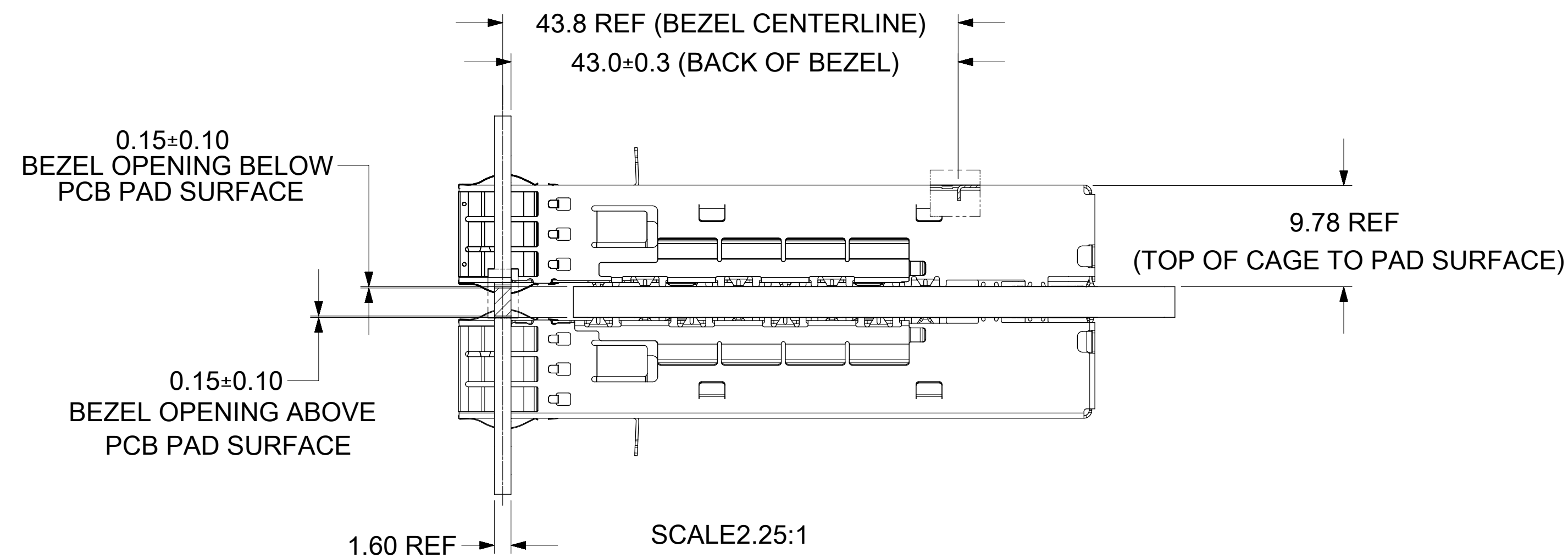
ZQSFP+ 1X1 CAGE ASSY'S W/ SUS TAB TYPE
SPRING FINGER, H/S & L/P OPTIONS

PRODUCT CUSTOMER DRAWING

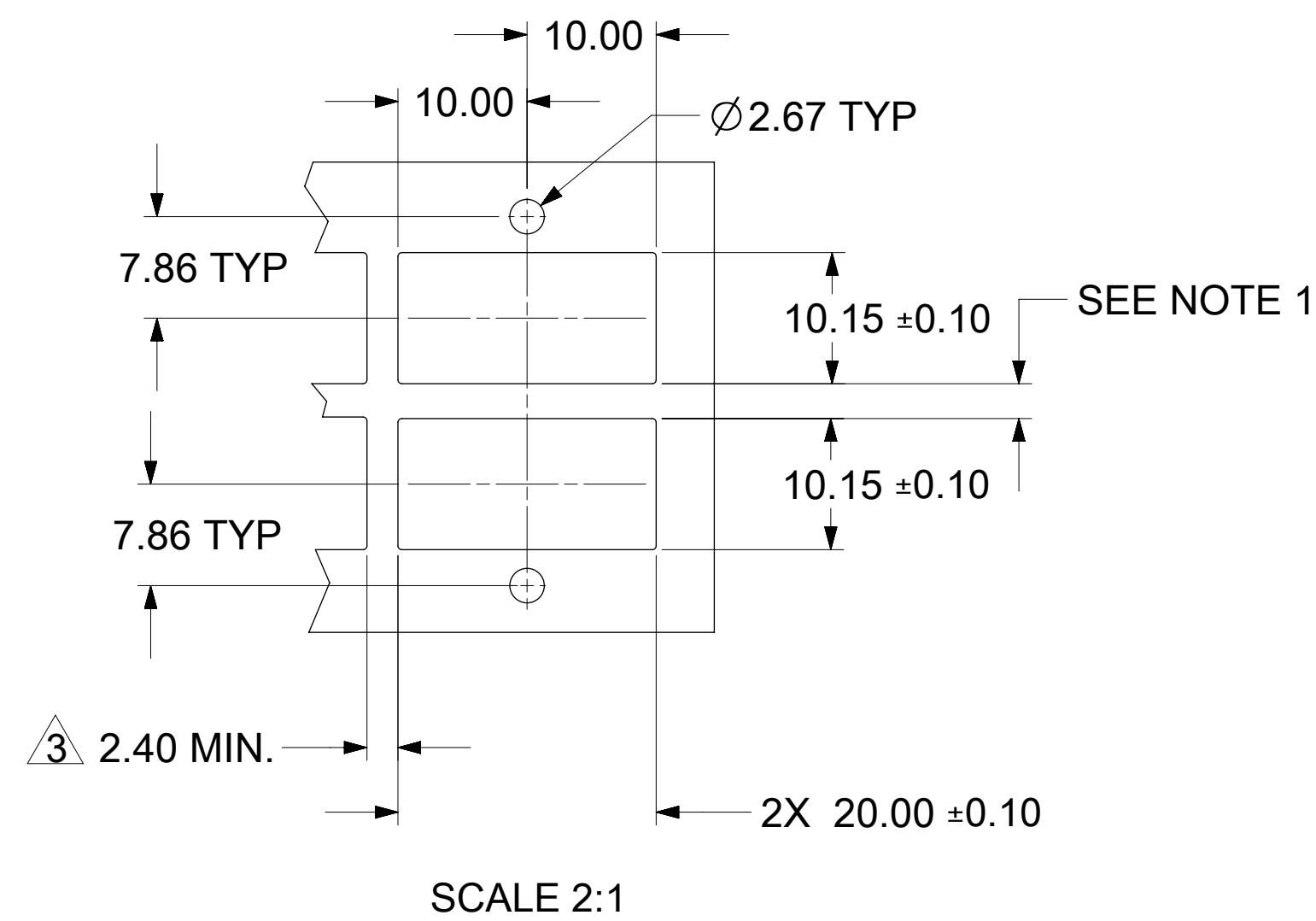
| | | | |
|-----------------|----------|----------|----------|
| DOCUMENT NUMBER | DOC TYPE | DOC PART | REVISION |
| 1000143200 | PSD | ASY | A |

| | | |
|-----------------|----------------|--------------|
| MATERIAL NUMBER | CUSTOMER | SHEET NUMBER |
| 100014 | GENERAL MARKET | 5 OF 7 |

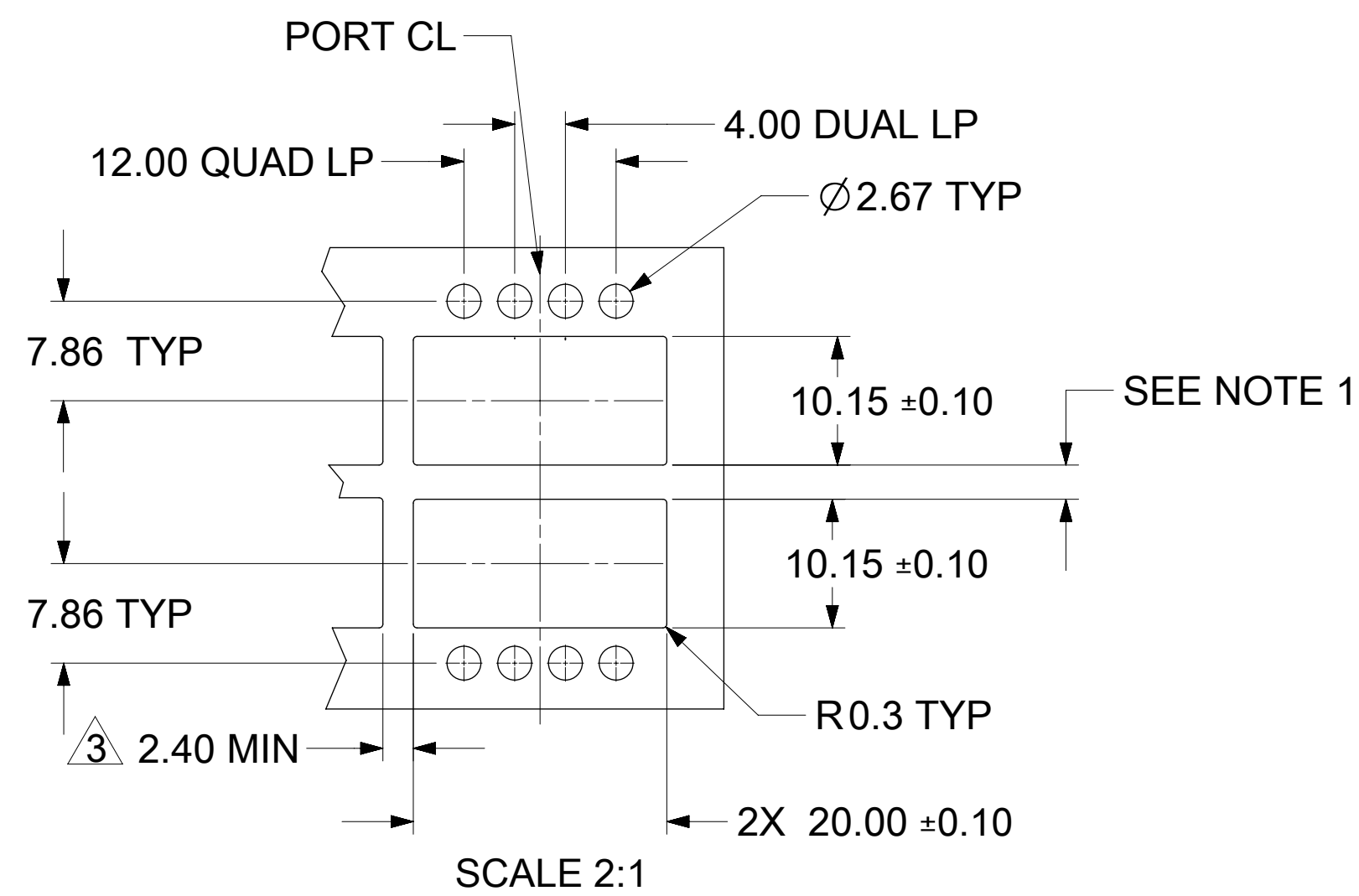
BEZEL AND BOARD POSITION DIMENSIONS FOR BELLY TO BELLY MOUNTING



SINGLE LIGHT PIPE ²

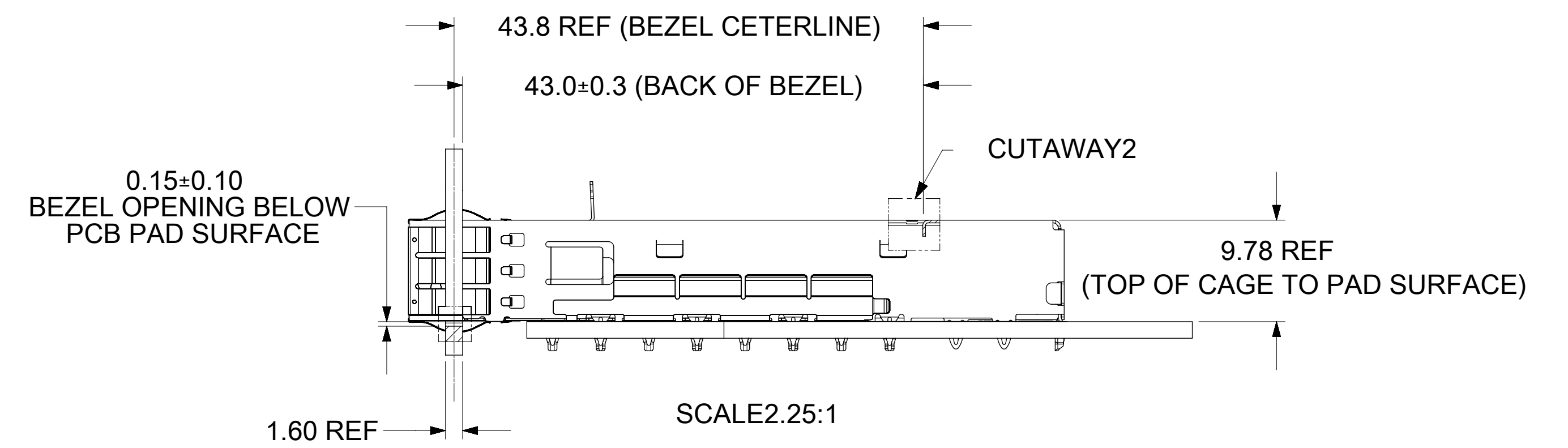


DUAL/QUAD LIGHT PIPE ²

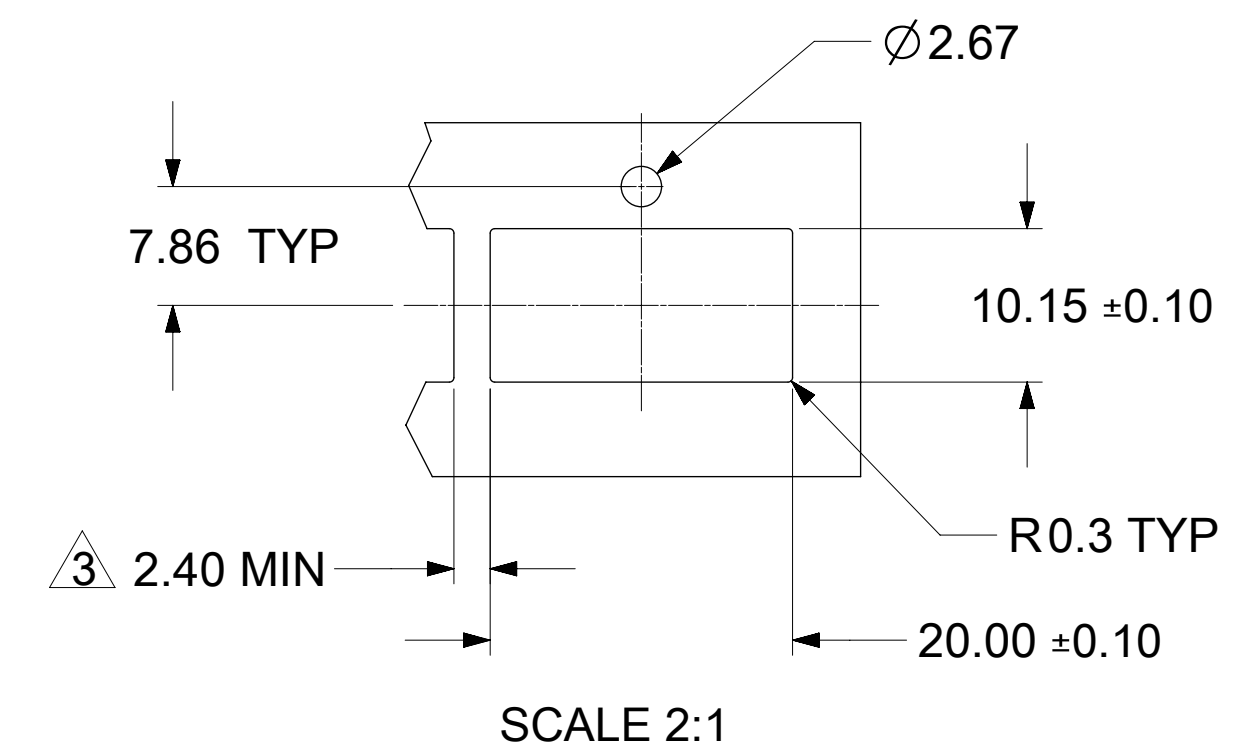


- NOTE:
1. PCB THICKNESS VARIATION MUST BE CONSIDERED WHEN DETERMINING BEZEL OPENING LOCATION.
 2. NOTED DIMENSIONS ONLY APPLY TO CAGE ASSEMBLIES WITH LIGHT PIPES.
 3. THIS DIMENSION IS FOR REFERENCE ONLY. USER CAN MODIFY IT DEPENDS ON APPLICATION. (THIS DIMENSION VARIES BASED ON DISTANCE OF "HOLE OF ADJACENT CAGE" ON PCB LAYOUT.)

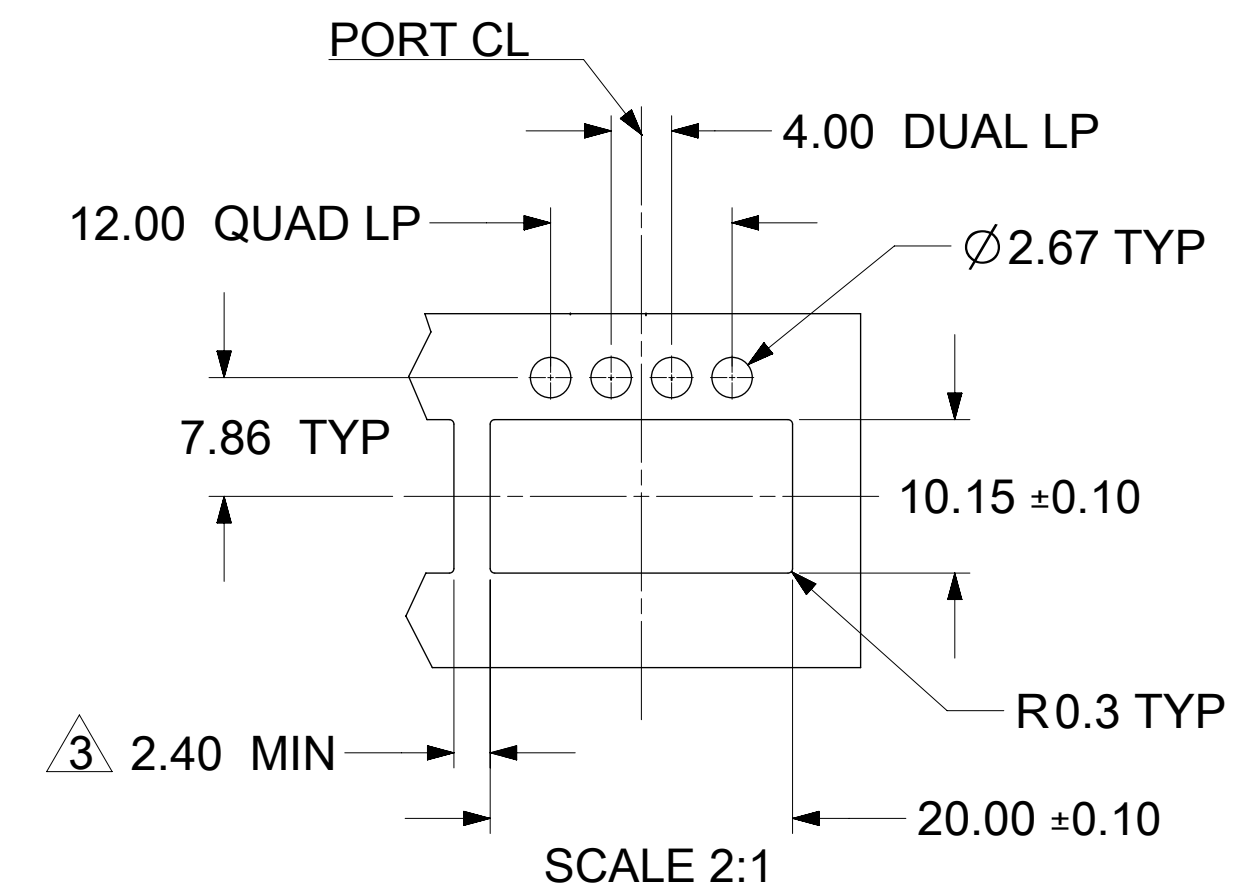
BEZEL AND BOARD POSITION DIMENSIONS FOR SINGLE SIDE MOUNTING



SINGLE LIGHT PIPE ²



DUAL/QUAD LIGHT PIPE ²



| | | | | | | | | | |
|---|---------------------------------------|------------------------|---|--------|-----------------|----------------|--------------|--|--|
| THIS DRAWING CONTAINS INFORMATION THAT IS PROPRIETARY TO MOLEX ELECTRONIC TECHNOLOGIES, LLC AND SHOULD NOT BE USED WITHOUT WRITTEN PERMISSION | | | | | | | | | |
| FUNCTIONAL SYMBOLS | DIMENSION UNITS | SCALE | CURRENT REV DESC: SEE REVISION TABLE | | | | | | |
| $F_A = 0$ | mm | 2.5:1 | | | | | | | |
| $F_C = 0$ | GENERAL TOLERANCES (UNLESS SPECIFIED) | | | | | | | | |
| $F_P = 0$ | ANGULAR TOL | ± 2.0° | | | | | | | |
| DIVISIONAL SYMBOLS | 4 PLACES | ± | EC NO: 698842 | | | | | | |
| | 3 PLACES | ± | DRWN: TKUMARKC 2022/02/17 | | | | | | |
| | 2 PLACES | ± 0.15 | CHK'D: TKUMARKC 2022/03/16 | | | | | | |
| | 1 PLACE | ± 0.25 | APPR: JCHIANG 2022/03/28 | | | | | | |
| | 0 PLACES | ± | INITIAL REVISION: DRWN: TKUMARKC 2022/02/17 | | | | | | |
| DRAFT WHERE APPLICABLE MUST REMAIN WITHIN DIMENSIONS | | THIRD ANGLE PROJECTION | DRAWING | SERIES | MATERIAL NUMBER | CUSTOMER | SHEET NUMBER | | |
| | | | D-SIZE | 100014 | 1000143200 | GENERAL MARKET | 6 OF 7 | | |

molex

ZQSFP+ 1X1 CAGE ASSY'S W/ SUS TAB TYPE SPRING FINGER, H/S & L/P OPTIONS

PRODUCT CUSTOMER DRAWING

DOCUMENT NUMBER DOC TYPE DOC PART REVISION

1000143200 PSD ASY A

MATERIAL NUMBER CUSTOMER SHEET NUMBER

100014 GENERAL MARKET 6 OF 7

