

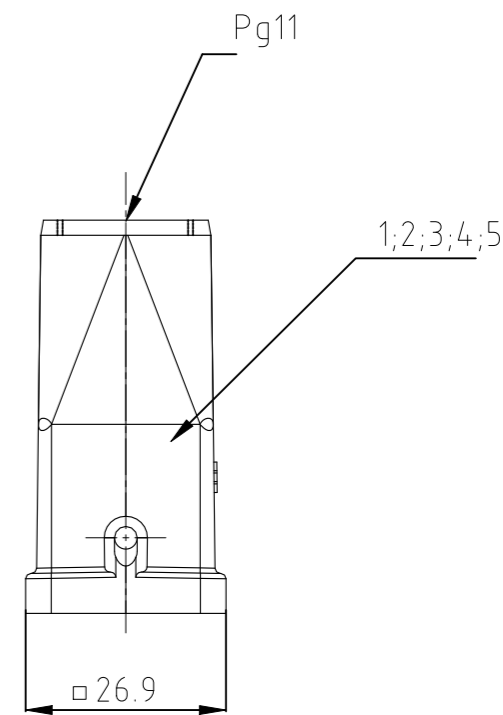
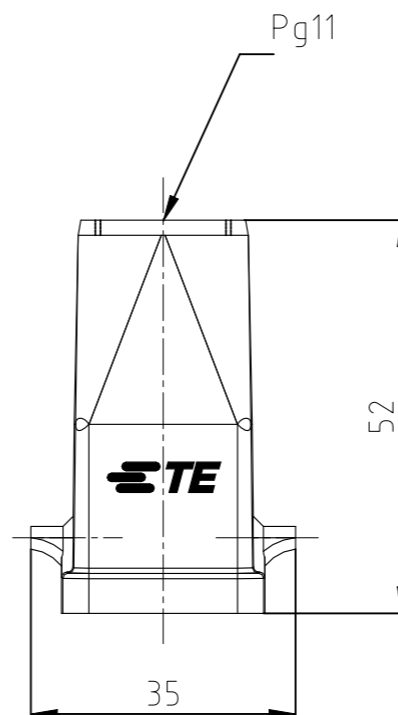
REVISIONS				
P	LTR	DESCRIPTION	DATE	APVD
	B1	REVISED PER ECR-21-123594	31JAN2022	RK JB

Notes:

- 1 Material: zinc diecast
- 2 Surface: Powder coated grey, black, blue
- 3 Varnish on the inside not necessary
- 4 Packaging quantity 10 pieces
- 5 OBSOLETE PARTS: OBSOLETE CIS STREAMLINING PER D.RENAUD/D.SINISI

Bemerkungen:

- 1 Material: Zink-Druckguß Legierung
- 2 Oberfläche: Pulverbeschichtet grau, schwarz, blau
- 3 Lackierung im Gehäuseinnere ist nicht notwendig
- 4 Verpackungsmenge 10 Stück



OBSOLETE	OBSOLETE	OBSOLETE							
1	1	1	-	-	1	-	-	1	-
0-2	0-1	6-7	2-7	1-7	-	-	-	-	-

ITEM NO. POS.	REMARKS / BEMERKUNGEN	COLOR / FARBE	SURFACE / OBERFLÄCHE	MATERIAL	DESCRIPTION / BENENNUNG
5		light blue 5012/blue	-	Zink/zinc diecast	Plug housing HA.3
4		aluminum color	-	Zink/zinc diecast	Plug housing HA.3
3		unvarnished	-	Zink/zinc diecast	Plug housing HA.3
2		schwarz/black	-	Zink/zinc diecast	Plug housing HA.3
1		grau/grey	-	Zink/zinc diecast	Plug housing HA.3

THIS DRAWING IS A CONTROLLED DOCUMENT.		DWN	08.12.1998	
		CHK	08.12.1998	
		APVD	-	
		NAME	-	
		PRODUCT SPEC	108-74000	
		APPLICATION SPEC	114-74002	
		WEIGHT	-	
		SIZE	CAGE CODE	DRAWING NO
		A3	00779	C-1102101
		SCALE		1:1
		SHEET		1 OF 1
		REV		B1



Hood HA.3.STO
Steckergehaeuse HA.3.STO.1.11.Z

DIMENSIONS: mm

TOLERANCES UNLESS OTHERWISE SPECIFIED:
GENERAL TOLERANCES
n. ISO 8015
n. ISO 2768 - MH - E
n. DIN 16901 - 140

0 PLC	±
1 PLC	±
2 PLC	±
3 PLC	±
4 PLC	±
ANGLES	±
FINISH	-

MATERIAL: -