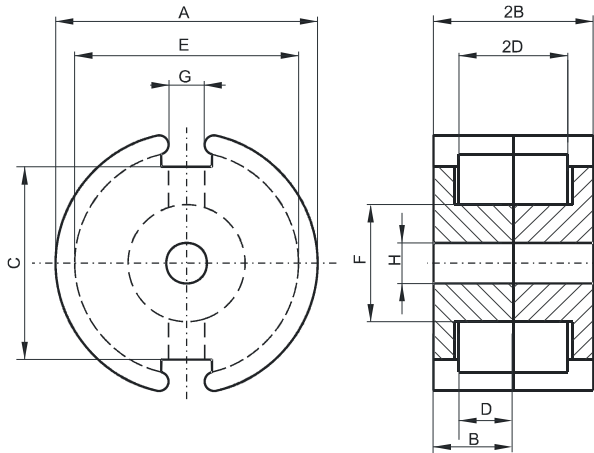


Specification for:

**0P43019UG**

110 Delta Drive  
Pittsburgh, PA 15238  
Phone: 412/696-1333  
Fax: 412/696-0333  
Email: magnetics@spang.com

**DIMENSIONS**



(mm)	Nominal:	Tol. min.:	Tol. max.:
<b>A</b>	30.0	-0.5	+ 0.5
<b>B</b>	9.45	-0.05	+ 0.05
<b>2B</b>	18.9	-0.1	+ 0.1
<b>C</b>	20.5	-0.5	+ 0.5
<b>D</b>	6.5 Min.		
<b>2D</b>	13.0 Min.		
<b>E</b>	25.4	-0.4	+ 0.4
<b>F</b>	13.3	-0.2	+ 0.2
<b>G</b>	4.3	-0.6	+ 0.6
<b>H</b>	5.5	-0.1	+ 0.1
Eff. Parameters			
<b>Ae mm<sup>2</sup></b>	<b>Amin mm<sup>2</sup></b>	<b>le mm</b>	<b>Ve mm<sup>3</sup></b>
137.0	116.0	45.2	6190

**INDUCTANCE**

AL value (nH)	Test conditions
Nom: 7267 Min.: 5450	10 kHz, < 0.5 mT, 25 °C

**MARKING**

0P43019UG PXXXXX
---------------------

**CORE LOSSES**

P <sub>i</sub> max	Test conditions
120 mW/cm <sup>3</sup> (0.74 W/set)	100 kHz, 100 mT, 100 °C

**NOTE**

Spec. modifications	Previous	Revised
2005-06-22	C=22.2 Nom. G=4.0 Nom. G=3.86 Min. H=5.56±0.1 Losses: General P material	C=20.5 Nom. G=4.3±0.6 H=5.5±0.1 Losses: Detail as indicated