

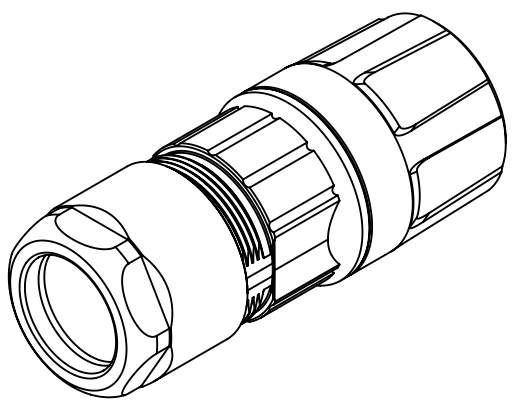
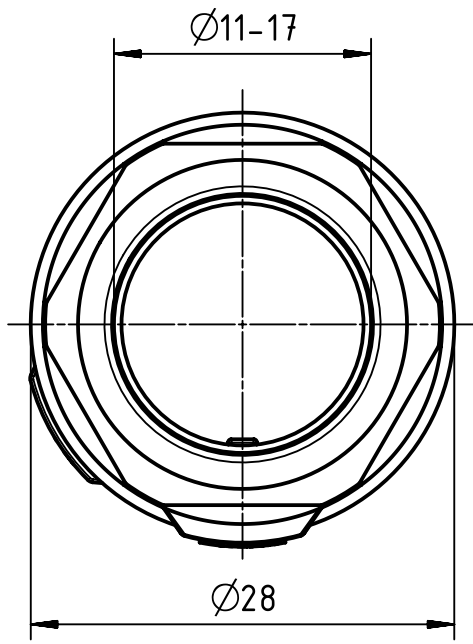
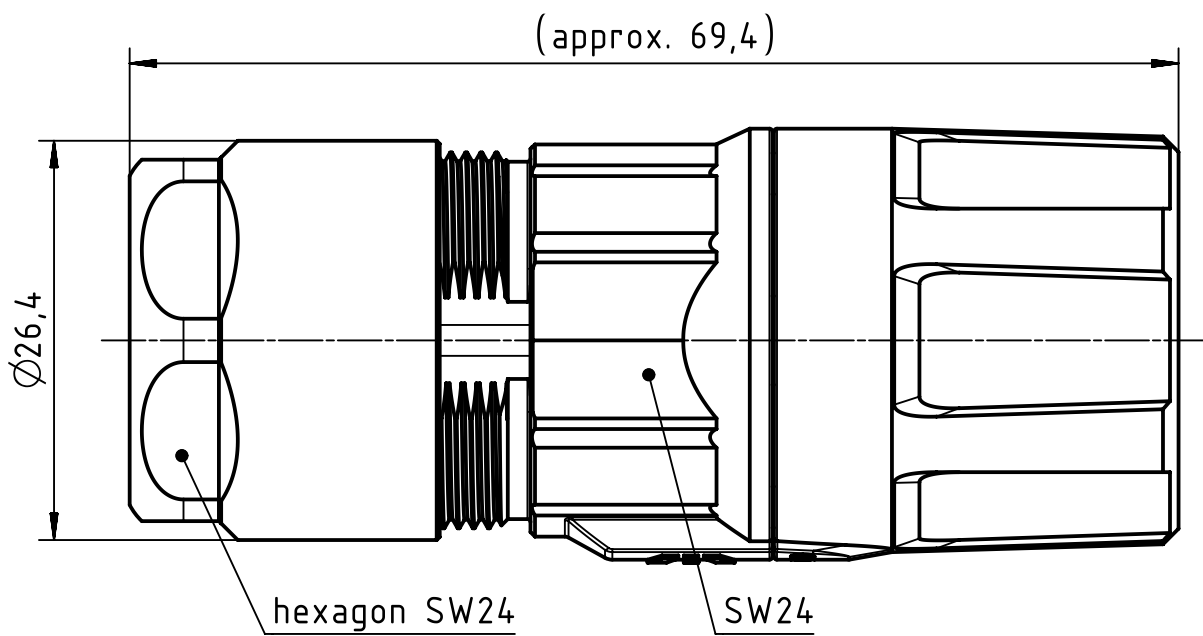
1 2 3 4 5 6


A

B

C

D



	All rights reserved Department EL PD	All Dimensions in mm Original Size DIN A4		Scale 2:1	Free size tol.	Ref.
		HARTING Electric GmbH & Co. KG D-32339 Espelkamp	Created by DYCKC	Inspected by GRUBES	Standardisation TIEMANNA	Date 2019-07-19
Title M23 ComLock-S Hood 11-17 mm						Doc-Key / ECM-Nr. 100736338/UGD/000/B 500000154908
Type TB				Number 09 15 100 0483		Rev. B
						Page 1/1