

PART No MATRIX

Y	0	X	0	0	1	X	X	X	X	X	X	X	X	X
---	---	---	---	---	---	---	---	---	---	---	---	---	---	---

Y0= ULTRA LOCK 2.0 SINGLE ENDED

POLES:
3 = 3 POLES
4 = 4 POLES
5 = 5 POLES

HEADER:
001= FEMALE RA

CABLE:
E03 - 3/4/5x0.34 PVC BLACK
B30 - 3/4/5x0.34 WSOR BLACK
H09 - 3/4/5x0.34 PUR-LS0H BLACK

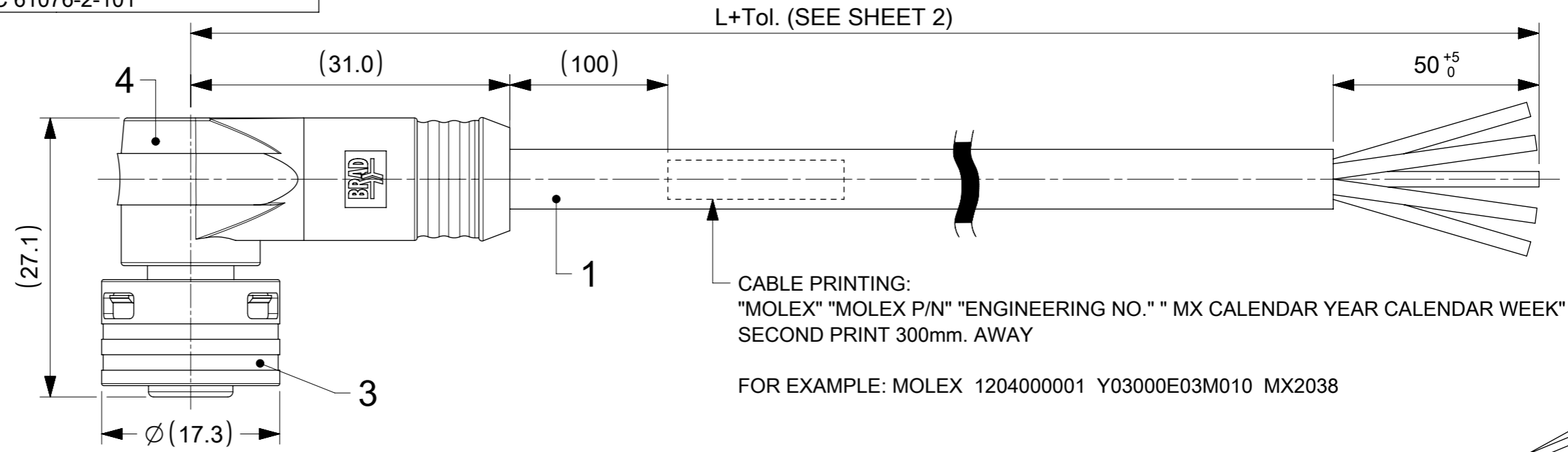
UNIT:
M = METER
F = FEET
C = CENTIMETER
T = 10M

LENGTH:
EXAMPLE:
010 = 1 m
050 = 5 m
100 = 10 m

OPTIONS
X X

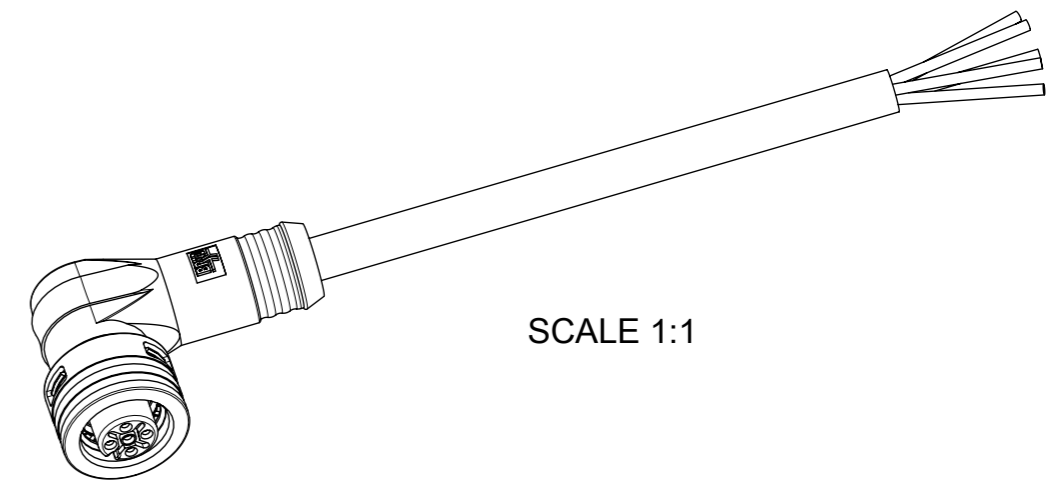
OVERMOLD:
BLANK = STANDARD BRAD:
-YELLOW IN THE USA
-BLACK IN EUROPE
A = GREY
E = RED
G = BLACK
Y = YELLOW
H = STD. COLOUR WITH TWO ID-TAG CARRIERS

CODING ACCORDING TO IEC 61076-2-101



NOTES:

- PARTS ACC. TO PRODUCT SPECIFICATION 1204000001 PS P10 AND IN STYLE OF IEC-61076-2-010
- BOM & PART LIST - SEE SHEET 2
- RATED VOLTAGE :
3, 4 CONTACTS: 250V AC OR DC
5 CONTACTS: 60V AC OR DC
RATED CURRENT:
3, 4, 5 CONTACTS: 4A, DERATING HAS TO BE CONSIDERED
OVERVOLTAGE CATEGORY: 3
POLLUTION DEGREE: 3, ONLY IN MATED AND LOCKED CONDITION
- PROTECTION CLASS: IP 67, ONLY IN MATED AND LOCKED CONDITION
- TEMPERATURE RANGE:
TEMPERATURE PLUG/SOCKET: -40 °C TO +85 °C
TEMPERATURE CABLE: SEE CABLE LIST
- MECHANICAL OPERATIONS: 100 CYCLES
- MATES WITH ULTRA-LOCK M12 MALE RECEPTACLES
- PACKAGING: THE CORDSETS ARE SINGLE PACKED IN PLASTIC BAGS AND DELIVERED IN CARTON BOXES
- UL CSA FILE REGISTRATION PENDING



FUNCTIONAL SYMBOLS	THIS DRAWING CONTAINS INFORMATION THAT IS PROPRIETARY TO MOLEX ELECTRONIC TECHNOLOGIES, LLC AND SHOULD NOT BE USED WITHOUT WRITTEN PERMISSION	CURRENT REV DESC: NOTES AND CABLE LIST UPDATED		molex																																				
	<table border="1"> <tr> <th>FUNCTIONAL SYMBOLS</th> <th>DIMENSION UNITS</th> <th>SCALE</th> </tr> <tr> <td>∇A = 0</td> <td>mm</td> <td>2:1</td> </tr> <tr> <td colspan="3">GENERAL TOLERANCES (UNLESS SPECIFIED)</td> </tr> <tr> <td>∇E = 0</td> <td colspan="2">ANGULAR TOL ± 1.0°</td> </tr> <tr> <td>∇F = 0</td> <td colspan="2">4 PLACES ±</td> </tr> <tr> <td rowspan="4">DIVISIONAL SYMBOLS</td> <td>3 PLACES ±</td> <td rowspan="4">EC NO: 736602 DRWN: RSCHIEBER 2023/01/23 CHK'D: RSILLER 2023/01/31 APPR: RSILLER 2023/01/31</td> <td colspan="3">PRODUCT CUSTOMER DRAWING</td> </tr> <tr> <td>2 PLACES ± 0.05</td> <td colspan="3">DOCUMENT NUMBER 1204000224 DOC TYPE PSD DOC PART 000 REVISION A3</td> </tr> <tr> <td>1 PLACE ± 0.3</td> <td colspan="3">INITIAL REVISION: DRWN: RSCHIEBER 2020/09/16 APPR: RSILLER 2020/09/29</td> </tr> <tr> <td>0 PLACES ± 0.5</td> <td colspan="3">DRAFT WHERE APPLICABLE MUST REMAIN WITHIN DIMENSIONS</td> </tr> <tr> <td colspan="2">THIRD ANGLE PROJECTION</td> <td>DRAWING A3-SIZE</td> <td>SERIES 120400</td> <td>MATERIAL NUMBER SEE SHEET 2</td> <td>CUSTOMER GENERAL MARKET</td> <td>SHEET NUMBER 1 OF 2</td> </tr> </table>	FUNCTIONAL SYMBOLS	DIMENSION UNITS			SCALE	∇A = 0	mm	2:1	GENERAL TOLERANCES (UNLESS SPECIFIED)			∇E = 0	ANGULAR TOL ± 1.0°		∇F = 0	4 PLACES ±		DIVISIONAL SYMBOLS	3 PLACES ±	EC NO: 736602 DRWN: RSCHIEBER 2023/01/23 CHK'D: RSILLER 2023/01/31 APPR: RSILLER 2023/01/31	PRODUCT CUSTOMER DRAWING			2 PLACES ± 0.05	DOCUMENT NUMBER 1204000224 DOC TYPE PSD DOC PART 000 REVISION A3			1 PLACE ± 0.3	INITIAL REVISION: DRWN: RSCHIEBER 2020/09/16 APPR: RSILLER 2020/09/29			0 PLACES ± 0.5	DRAFT WHERE APPLICABLE MUST REMAIN WITHIN DIMENSIONS			THIRD ANGLE PROJECTION		DRAWING A3-SIZE	SERIES 120400
FUNCTIONAL SYMBOLS	DIMENSION UNITS	SCALE																																						
∇A = 0	mm	2:1																																						
GENERAL TOLERANCES (UNLESS SPECIFIED)																																								
∇E = 0	ANGULAR TOL ± 1.0°																																							
∇F = 0	4 PLACES ±																																							
DIVISIONAL SYMBOLS	3 PLACES ±	EC NO: 736602 DRWN: RSCHIEBER 2023/01/23 CHK'D: RSILLER 2023/01/31 APPR: RSILLER 2023/01/31	PRODUCT CUSTOMER DRAWING																																					
	2 PLACES ± 0.05		DOCUMENT NUMBER 1204000224 DOC TYPE PSD DOC PART 000 REVISION A3																																					
	1 PLACE ± 0.3		INITIAL REVISION: DRWN: RSCHIEBER 2020/09/16 APPR: RSILLER 2020/09/29																																					
	0 PLACES ± 0.5		DRAFT WHERE APPLICABLE MUST REMAIN WITHIN DIMENSIONS																																					
THIRD ANGLE PROJECTION		DRAWING A3-SIZE	SERIES 120400	MATERIAL NUMBER SEE SHEET 2	CUSTOMER GENERAL MARKET	SHEET NUMBER 1 OF 2																																		

