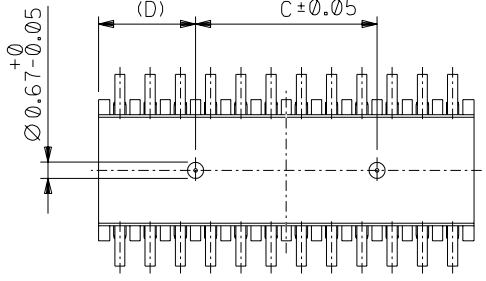
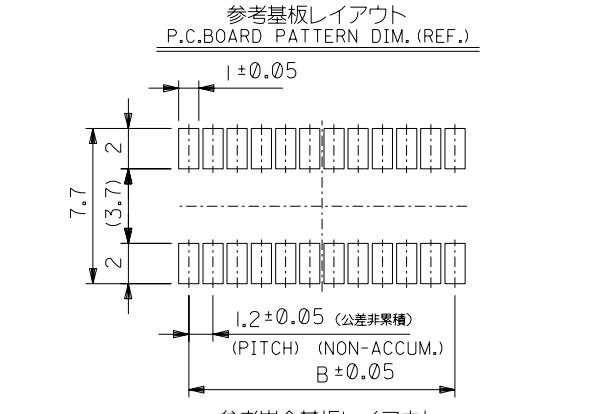
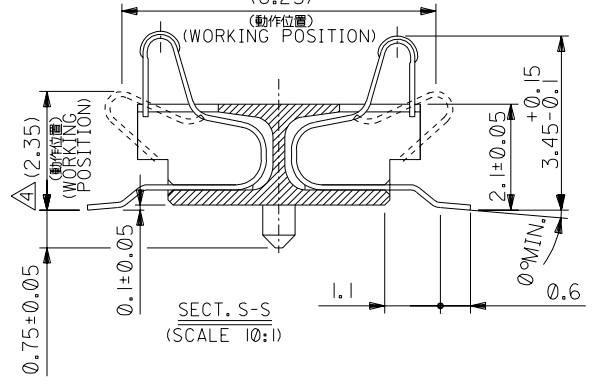
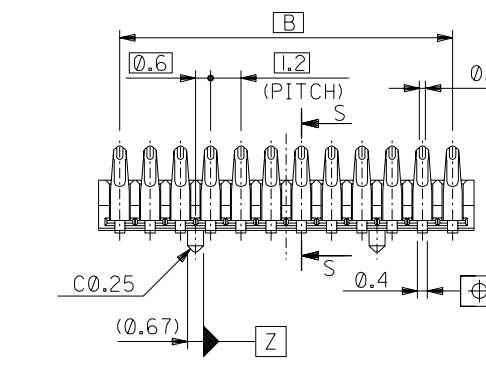
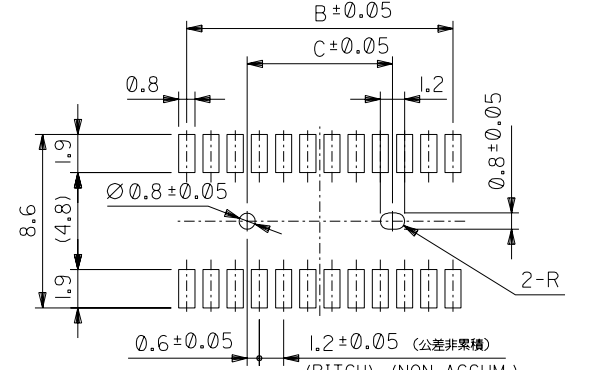
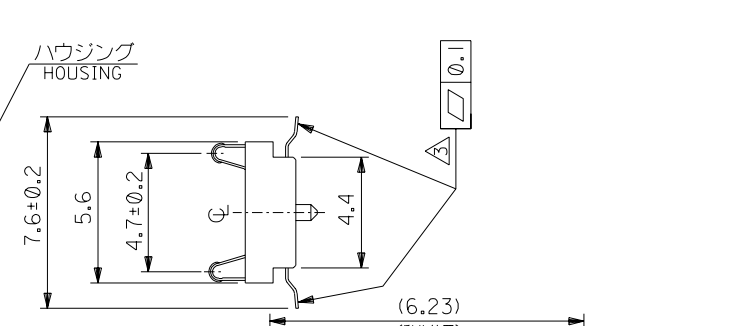
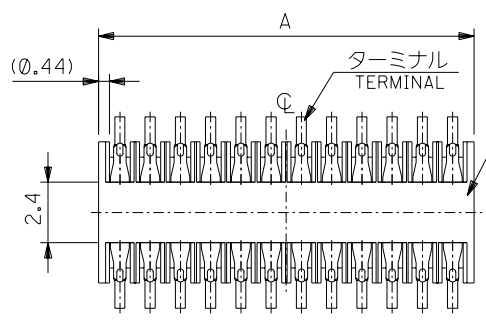


DWG. NO. SD-54546-004



注記 NOTES

- 材質 MATERIAL  
ハウジング : 液晶ポリマー(黒) UL94V-0  
HOUSING : LIQUID CRYSTAL POLYMER [LCP], (BLACK), UL94V-0  
ターミナル : 燐青銅 (t=0.1)  
TERMINAL : PHOSPHOR BRONZE
  - メッキ仕様 PLATING  
接点部 : 金メッキ  
CONTACT AREA : Au PLATING 0.5 micro meter  
半田付け部 : 半田メッキ  
SOLDER TAIL AREA : Sn-Pb PLATING 3.0 micro meter  
下地メッキ : ニッケルメッキ  
UNDER PLATING : Ni PLATING 3.0 micro meter
- △ コネクタを水平面上に置いた状態にて維持する事。  
TOLERANCES TO BE APPLIED WHEN ON A HORIZONTAL PLANE.
- ▲ 動作位置 (ストローク量 1.1mm) での接触力 :  $0.46 \pm 0.05N$  (47±5gf)  
NORMAL FORCE AT WORKING POSITION (STROKE 1.1mm) :  $0.46 \pm 0.05N$  (47±5gf)

3.85	14.4	20.4	22.1	54546-3611	36
3.85	13.2	19.2	20.9	↑ -3411	34
3.85	12	18	19.7	↓ -3211	32
1.45	6	7.2	8.9	54546-1411	14
D	C	B	A	MATERIAL. NO.	極数 CIRCUIT

DO NOT SCALE DRAWING

① ② ③ ④ ⑤ ⑥ ⑦ ⑧

変更  
B  
A  
①

変更  
B  
A  
①

② ③ ④ ⑤ ⑥ ⑦ ⑧

② ③ ④ ⑤ ⑥ ⑦ ⑧

② ③ ④ ⑤ ⑥ ⑦ ⑧

② ③ ④ ⑤ ⑥ ⑦ ⑧

② ③ ④ ⑤ ⑥ ⑦ ⑧

② ③ ④ ⑤ ⑥ ⑦ ⑧

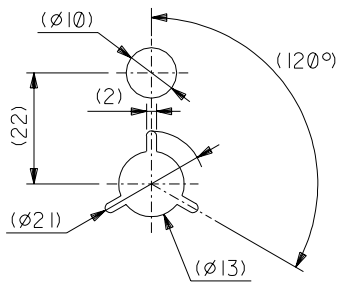
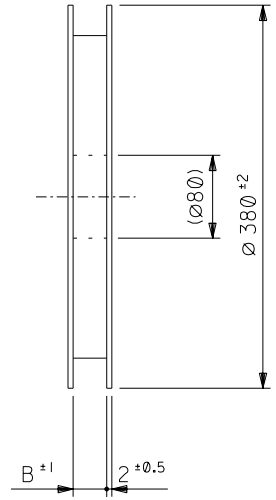
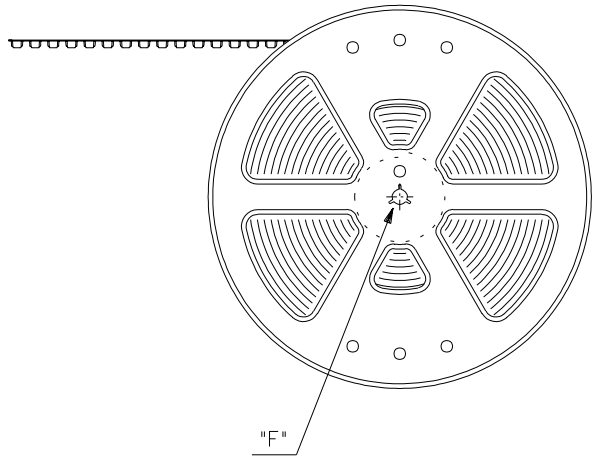
② ③ ④ ⑤ ⑥ ⑦ ⑧

② ③ ④ ⑤ ⑥ ⑦ ⑧

② ③ ④ ⑤ ⑥ ⑦ ⑧

DWG. NO. SD-54546-005

引き出し方向  
PULL OUT  
DIRECTION



DETAIL "F"

注記 NOTES

- 梱包数量：1000個/リール  
NUMBER OF CONNECTORS : 1000PCS/REEL
- リードテープ長さ LEAD TAPE LENGTH
- トップテープの剥離強度：0.1N ~ 0.7N(10.2gf ~ 71.4gf)  
 (剥離方向は下図参照)  
 尚、本規格値は出荷時に適用。(但し、輸送時に剥離が発生しないこと。)  
 PEELING OFF FORCE OF TOP TAPE : 0.1N ~ 0.7N(10.2gf ~ 71.4gf)  
 (PEELING DIRECTION AS SHOWN IN FOLLOWING FIG.)  
 THIS REQUIREMENT SHOULD BE APPLIED AT SHIPMENT.  
 PEEL OFF SHOULD NOT BE ALLOWED , DURING TRANSPORTATION.
- 材料(MATERIAL)  
 キャリアテープ(CARRIER TAPE)：ポリプロピレン(POLYPROPYLENE)  
 トップテープ(TOP TAPE)：PET, PE, PEF  
 リール(REEL)：ポリスチレン(P.S) <リサイクル材を含む>  
 POLYSTYREN(P.S) <RECYCLE MATERIAL CONTAINED>

54546-3611	54546-3690	36
↑ -3411	↑ -3490	34
↓ -3211	↓ -3290	32
54546-1411	54546-1490	14
CONNECTOR	MATERIAL NO.	CKT. 極数

DO NOT SCALE DRAWING

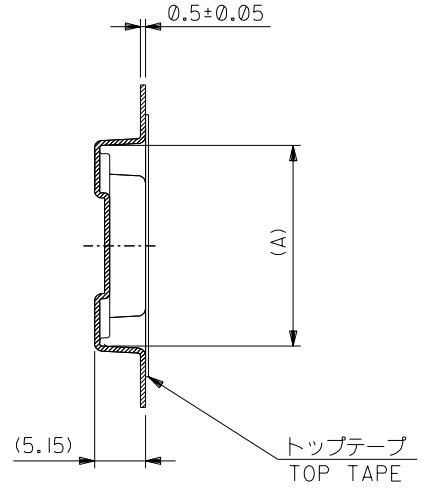
1684NO. DRWN: CH'K: APPR:	REVISED '02/04/17 163NO. 42002-2638 DRWN: T.KAIHO CH'K: T.IITO APPR: T.YAMAGUCHI	REVISED '01/2/8 162NO. JC2001-0651 DRWN: C.OKUYAMA CH'K: T.IITO APPR: M.FUKUSHIMA 10/31	REVISED 161NO. JC2001-0323 DRWN: T.YASUI '00/10/30 CH'K: T.IITO APPR: M.FUKUSHIMA 10/31	PROPOSED '99/03/18 160NO. JC90310 DRWN: Y.KANNO CH'K: T.S.KUNISHI APPR: M.FUKUSHIMA
REV	DESCRIPTION	MATERIAL 材料	FINISH 仕上げ	WIRE RANGE 適用線径範囲
		SEE NOTES	//	//
				INS. RANGE 被覆外径
				//

GENERAL TOLERANCES: (UNLESS SPECIFIED) 一般公差	SCALE	DESIGN UNITS	PROJ. ANGLE
10 UNDER 未満	1:1	mm □ INCH	2ND ANGLE PROJECTION
10 OVER 30 UNDER 以上 未満			
30 OVER 以上			
ANGLE 角度			

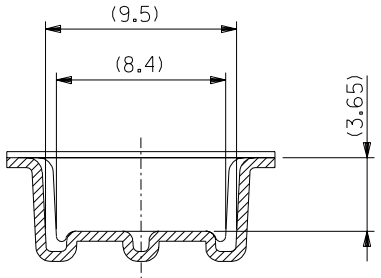
DRAWN BY & DATE Y.KANNO '98/11/26	TITLE: 1.2 DUAL ONE PIECE Conn Hsg Assy Embstp Pkg
CHECKED BY & DATE T.IITO '02/04/17	
APPROVED BY & DATE T.YAMAGUCHI '02/04/17	
CAD FILENAME 54546005.S01	

MODEL NO. 54546-***90	DIMENSIONS: <input type="checkbox"/> mm <input type="checkbox"/> INCH <input checked="" type="checkbox"/> mm ONLY	SHT 1 / 4	REV
MATERIAL NO. 54546-***90		DRAWING NO. SD-54546-005	SHEET NO. 1 / 4
MOLEX INCORPORATED		SIZE B	
THIS DRAWING CONTAINS INFORMATION THAT IS PROPRIETARY TO MOLEX INCORPORATED AND SHOULD NOT BE USED WITHOUT WRITTEN PERMISSION.			

DWG. NO. SD-54546-005

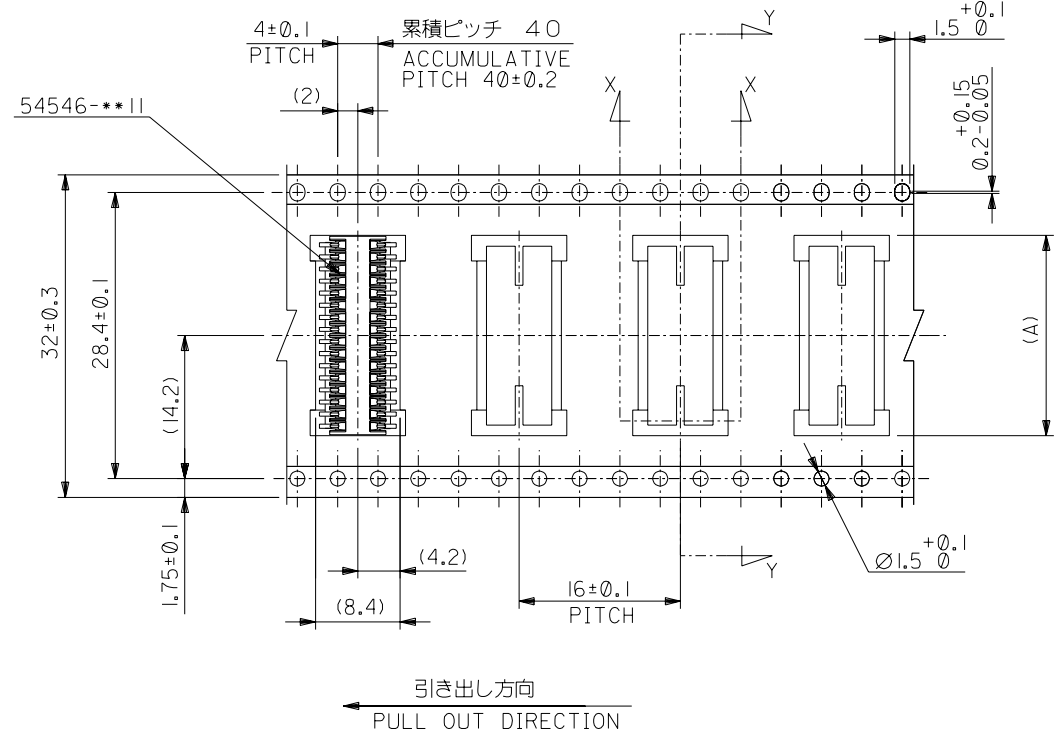


SECT. Y-Y



SECT. X-X

(4:1)



32mm幅キャリアテープ  
32mm WIDTH CARRIER TAPE

32	33.5	20	54546-3290	32
キャリアテープ幅 CARRIER TAPE WIDTH	B	(A)	MATERIAL. NO.	極数 CIRCUIT

MODEL NO.	54546-***90	DIMENSIONS:	SHT	REV
SCALE	2:1	<input type="checkbox"/> mm <input type="checkbox"/> INCH	<input type="checkbox"/> mm ONLY	<input type="checkbox"/> REVERSE ON CAD ONLY

DRAWN BY & DATE: Y.KANNO 98/11/26  
CHECKED BY & DATE: T.ITO 02/04/17  
APPROVED BY & DATE: TO.YAMAGUCHI 02/04/17  
TITLE: 1.2 DUAL ONE PIECE Conn Hsg Assy Embstp Pkg

MOLEX MOLEX INCORPORATED

CAD FILENAME	54546005.S02	MATERIAL NO.	54546-***90	DRAWING NO.	SD-54546-005	SHEET NO.	3 / 4
--------------	--------------	--------------	-------------	-------------	--------------	-----------	-------

THIS DRAWING CONTAINS INFORMATION THAT IS PROPRIETARY TO MOLEX INCORPORATED AND SHOULD NOT BE USED WITHOUT WRITTEN PERMISSION. SIZE B

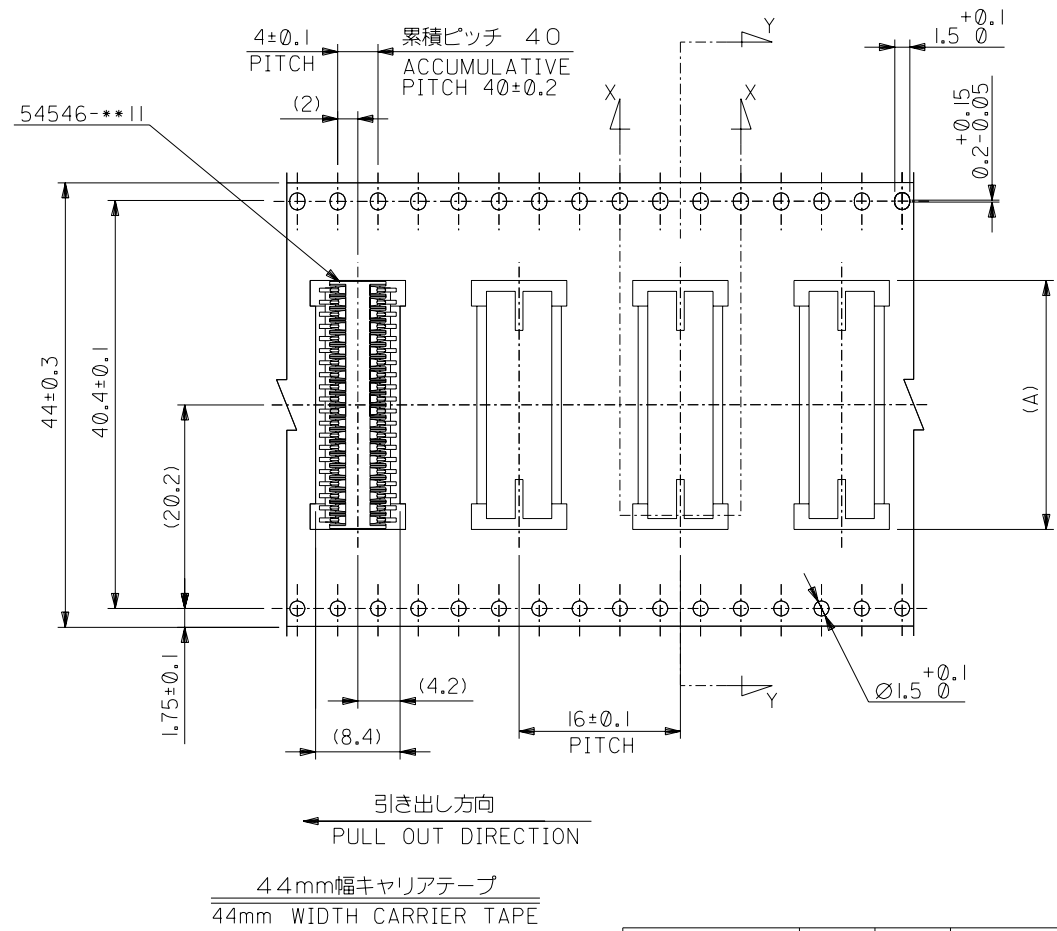
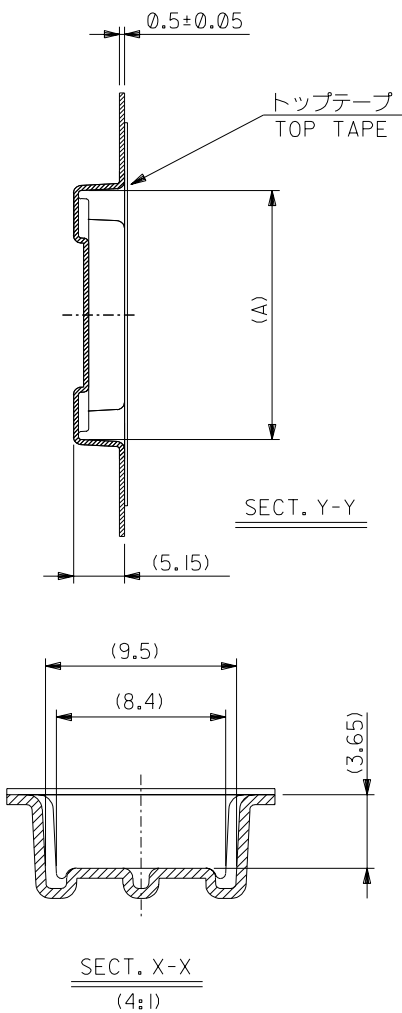
DO NOT SCALE DRAWING

DESIGN NO.	REVISED	DATE	BY	CHK	APP
63NO. 42002-2638	02/04/17		T.KAIHO	T.ITO	TO.YAMAGUCHI
62NO. JC2001-0651	01/2/8		T.ITO	T.ITO	M.FUKUSHIMA 10/31
61NO. JC2001-0323	00/10/30		T.YASUI	T.ITO	M.FUKUSHIMA 10/31
PROPOSED	99/03/18		Y.KANNO	T.S.KUNISHI	M.FUKUSHIMA

MATERIAL 材料	SHEET NO.1 参照 SEE SHEET NO.1
FINISH 仕上げ	//
WIRE RANGE 適用層線範囲	//
INS. RANGE 被覆外径	//

GENERAL TOLERANCES: (UNLESS SPECIFIED) 一般公差	10 UNDER 未満	±0.2
	10 OVER 以上 30 UNDER 未満	±0.25
	30 OVER 以上	±0.3
ANGLE 角度		±3°

DWG. NO. SD-54546-005



44	45.5	22.4	54546-3690	36
		21.2	54546-3490	34
キャリアテープ幅 CARRIER TAPE WIDTH	B	(A)	MATERIAL. NO.	極数 CIRCUIT

DO NOT SCALE DRAWING	REVISED '02/04/17 DRAWN: J2002-2638 CHK: T.KAIHO APPR: T.YAMAGUCHI	REVISED '01/2/8 DRAWN: JC2001-0651 CHK: T.ITO APPR: M.FUKUSHIMA 10/31	REVISED '00/10/30 DRAWN: T.YASUI CHK: T.ITO APPR: M.FUKUSHIMA 10/31	PROPOSED '99/03/18 DRAWN: JC9003 10 CHK: Y.KANNO APPR: M.FUKUSHIMA	MATERIAL 材料 SHEET NO.1 参照 SEE SHEET NO.1
C	B	A	⌀		

FINISH 仕上げ	—
WIRE RANGE 適用線径範囲	—
INS. RANGE 被覆外径	—

GENERAL TOLERANCES: (UNLESS SPECIFIED) 一般公差	SCALE 2:1	DESIGN UNITS <input checked="" type="checkbox"/> mm <input type="checkbox"/> INCH
10 UNDER 未満	±0.2	
10 OVER 以上	±0.25	
30 UNDER 未満	±0.25	
30 OVER 以上	±0.3	
ANGLE 角度	±3°	

MODEL NO. 54546-***90	DIMENSIONS: <input type="checkbox"/> mm <input type="checkbox"/> INCH <input checked="" type="checkbox"/> mm ONLY	SHT 4	REV 4
DRAWN BY & DATE Y.KANNO '98/11/26			
CHECKED BY & DATE T.ITO '02/04/17			
APPROVED BY & DATE TO.YAMAGUCHI '02/04/17			
TITLE: 1.2 DUAL ONE PIECE Conn Hsg Assy Embstp Pkg			
MOLEX MOLEX INCORPORATED			
CAD FILENAME 54546005.S03	MATERIAL NO. 54546-***90	DRAWING NO. SD-54546-005	SHEET NO. 4 / 4
THIS DRAWING CONTAINS INFORMATION THAT IS PROPRIETARY TO MOLEX INCORPORATED AND SHOULD NOT BE USED WITHOUT WRITTEN PERMISSION.			SIZE B

DWG. NO. SD-54546-005

F

D

V

C

B

DO NOT SCALE DRAWING

8 7 6 5 4 3 2 1

F

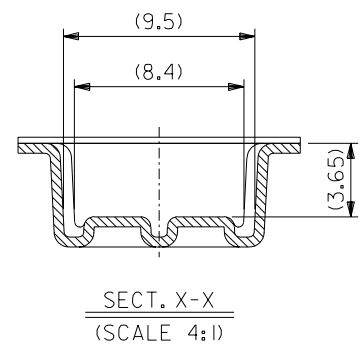
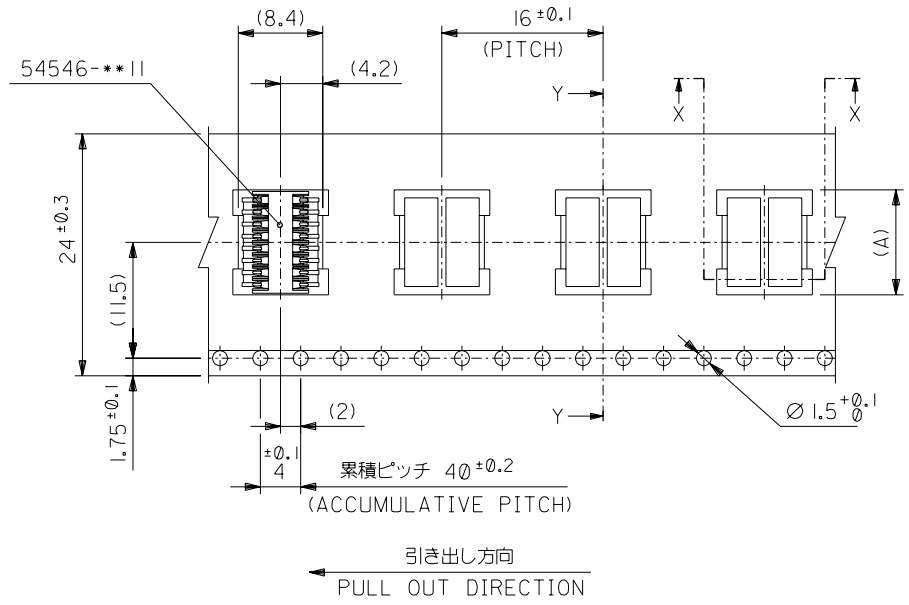
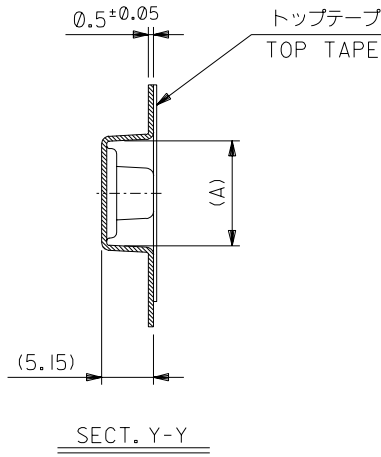
E

D

C

B

A



24	25.5	9.2	54546-1490	14
キャリアテープ幅 CARRIER TAPE WIDTH	B	A	MATERIAL NO.	極数 CIRCUIT
MODEL NO. 54546-**-90		DIMENSIONS:		
SCALE 2:1		DESIGN UNITS		
DRAWN BY & DATE T.YASUI '00/10/30		TITLE: 1.2 DUAL ONE PIECE Conn Hsg Assy Embstp Pkg		
CHECKED BY & DATE T.ITO '02/04/17		APPROVED BY & DATE TO.YAMAGUCHI '02/04/17		
CAD FILENAME 54546005.S04		MATERIAL NO. 54546-**-90	DRAWING NO. SD-54546-005	SHEET NO. 2 / 4
THIS DRAWING CONTAINS INFORMATION THAT IS PROPRIETARY TO MOLEX INCORPORATED AND SHOULD NOT BE USED WITHOUT WRITTEN PERMISSION.				SIZE B

634NO. DRWN: CHK: APPR:	633NO. DRWN: CHK: APPR:	REVISED '02/04/17 62NO. J2002-2638 DRWN: T.KAIHO CHK: T.ITO APPR: TO.YAMAGUCHI	REVISED '01/2/8 61NO. JC2001-0651 DRWN: C.OKUYAMA CHK: T.ITO APPR: M.FUKUSHIMA 10/31	REVISED 60NO. JC2001-0323 DRWN: T.YASUI '00/10/30 CHK: T.ITO APPR: M.FUKUSHIMA 10/31
8	7	C	B	A
MATERIAL 材料 SEE SHEET NO.1 参照 SEE SHEET NO.1				
FINISH 仕上げ //				
WIRE RANGE 適用線径範囲 //				
INS. RANGE 被覆外径 //				

GENERAL TOLERANCES: (UNLESS SPECIFIED) 一般公差	SCALE 2:1	DESIGN UNITS mm INCH	PROJECTION FIRST ANGLE
10 UNDER 未満 未満	±0.2	DRAWN BY & DATE T.YASUI '00/10/30	TITLE: 1.2 DUAL ONE PIECE Conn Hsg Assy Embstp Pkg
10 OVER 以上 30 UNDER 未満 未満	±0.25	CHECKED BY & DATE T.ITO '02/04/17	APPROVED BY & DATE TO.YAMAGUCHI '02/04/17
30 OVER 以上	±0.3	CAD FILENAME 54546005.S04	MATERIAL NO. 54546-**-90
ANGLE 角度	±3°	DRAWING NO. SD-54546-005	SHEET NO. 2 / 4

WIRE RANGE 適用線径範囲 //	INS. RANGE 被覆外径 //
-------------------------	-----------------------

THIS DRAWING CONTAINS INFORMATION THAT IS PROPRIETARY TO MOLEX INCORPORATED AND SHOULD NOT BE USED WITHOUT WRITTEN PERMISSION.				SIZE B
EN-02J(097) MXJ-54				