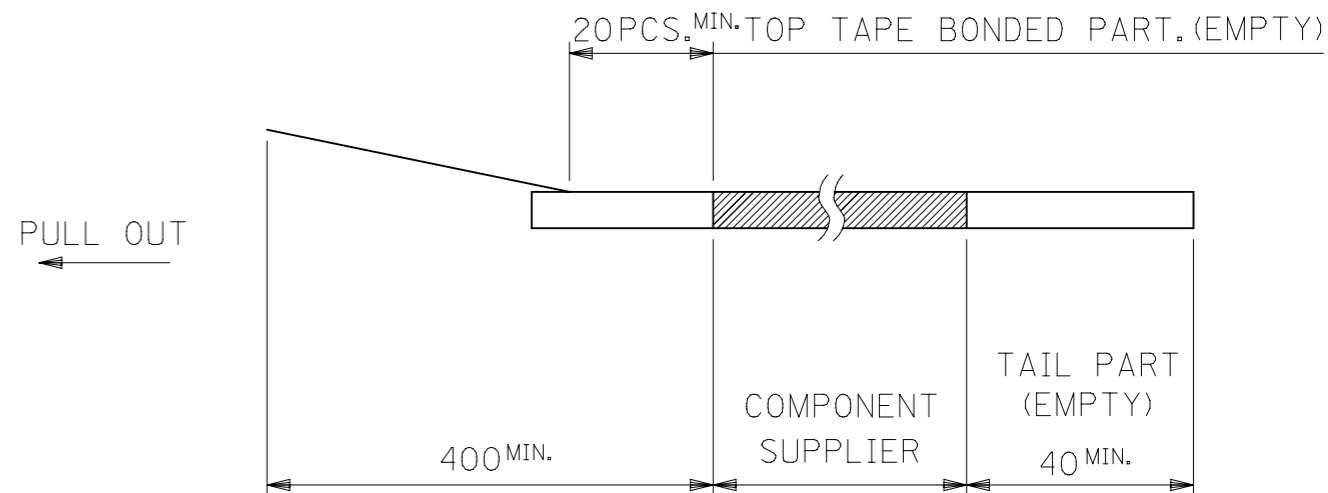


NOTES

1. IN THE PACKAGE, ACTUATOR OF PART NO. **52559-**78** SHOULD BE LOCKED
REDETAILED DIMENSIONS, SEE **ASSY DRAWING**
2. NUMBER OF CONNECTORS: 1000PCS/REEL
3. LEAD TAPE LENGTH



4. MATERIAL CARRIER TAPE: POLYPROPYLENE
TOP TAPE: PET, PE, PEF
REEL: POLYSTYRENE (PS)
<RECYCLE MATERIAL CONTAINED>

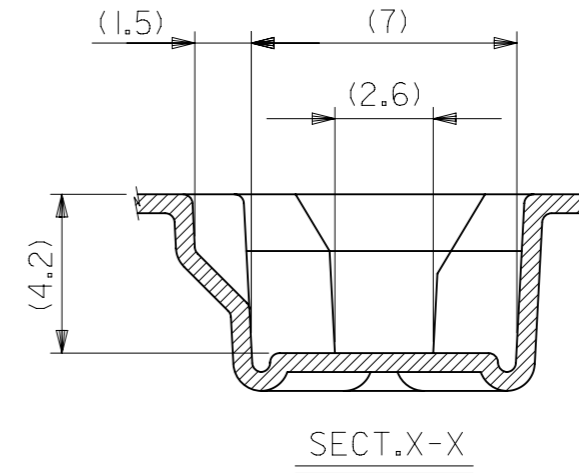
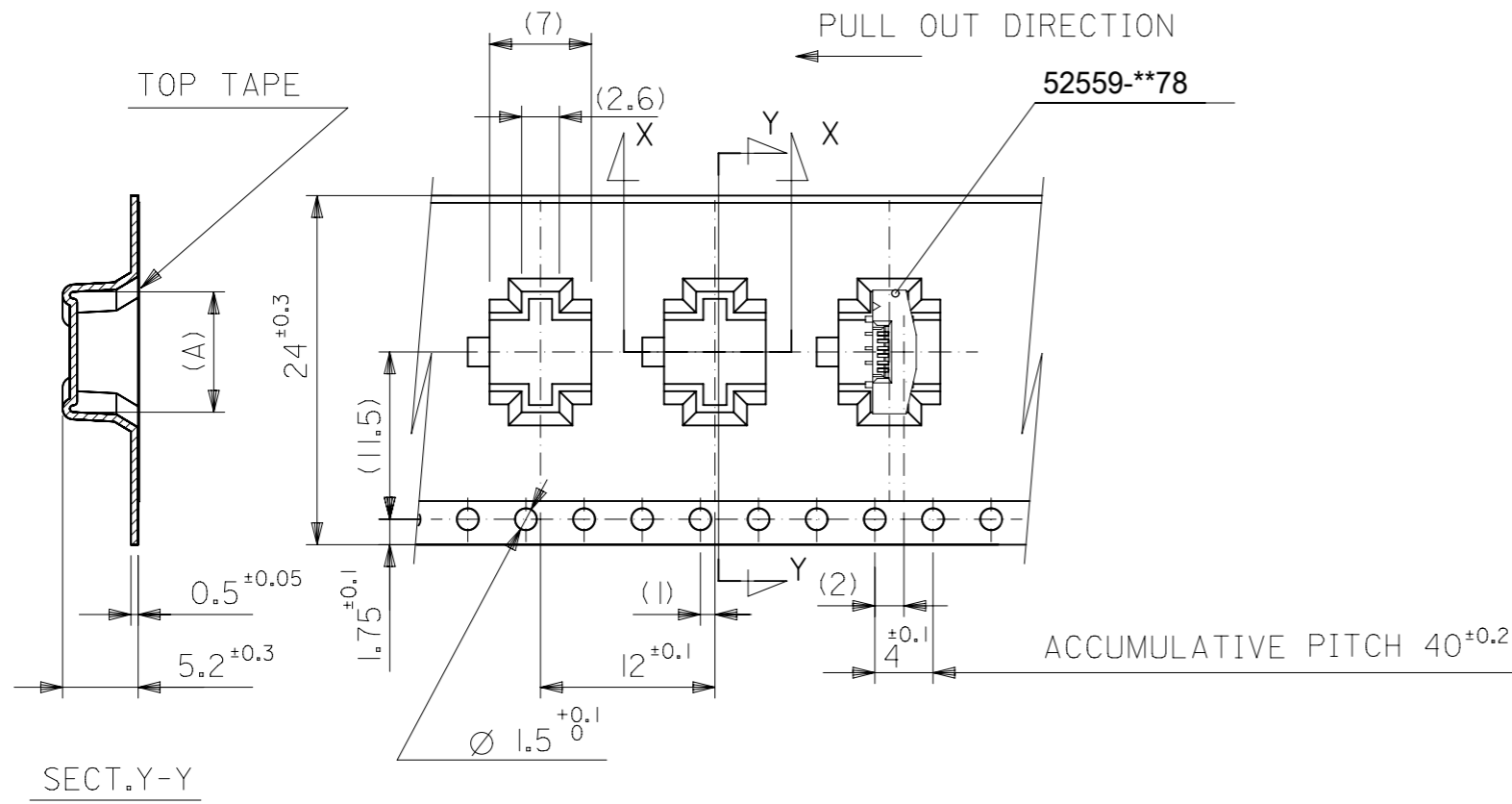
GENERAL TOLERANCES (UNLESS SPECIFIED)	
UNDER 10	±0.2
OVER 10 UNDER 30	±0.25
OVER 30	±0.3
ANGULAR	±3°

52559-**55		MODEL NO.	
THIS DRAWING CONTAINS INFORMATION THAT IS PROPRIETARY TO MOLEX ELECTRONIC TECHNOLOGIES, LLC AND SHOULD NOT BE USED WITHOUT WRITTEN PERMISSION			
DIMENSION UNITS		SCALE	
mm	NTS	CURRENT REV DESC:	
GENERAL TOLERANCES (UNLESS SPECIFIED)		EC NO: 620398	
4 PLACES ±	MM INCH	DRWN: AKUMAR19	2018/12/24
3 PLACES ±		CHK'D: GGA	2019/10/18
2 PLACES ±		APPR: GGA	2019/10/18
1 PLACE ±		INITIAL REVISION:	
0 PLACES ±		DRWN: Y.AOYAGI	2008/09/01
ANGULAR TOL ± °		APPR: N.UKITA	2008/09/01
DRAFT WHERE APPLICABLE MUST REMAIN WITHIN DIMENSIONS	THIRD ANGLE PROJECTION	DRAWING	SERIES
		A3-SIZE	52559
DOCUMENT NUMBER		CUSTOMER	SHEET NUMBER
SD-52559-055		GENERAL MARKET	1 OF 4

molex

EMBOSSSED TAPE PACKAGE FOR 52559-**78

PRODUCT CUSTOMER DRAWING



24mm WIDTH CARRIER TAPE

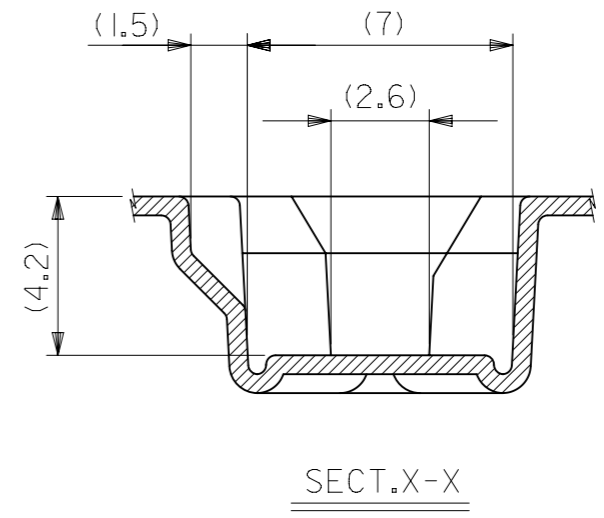
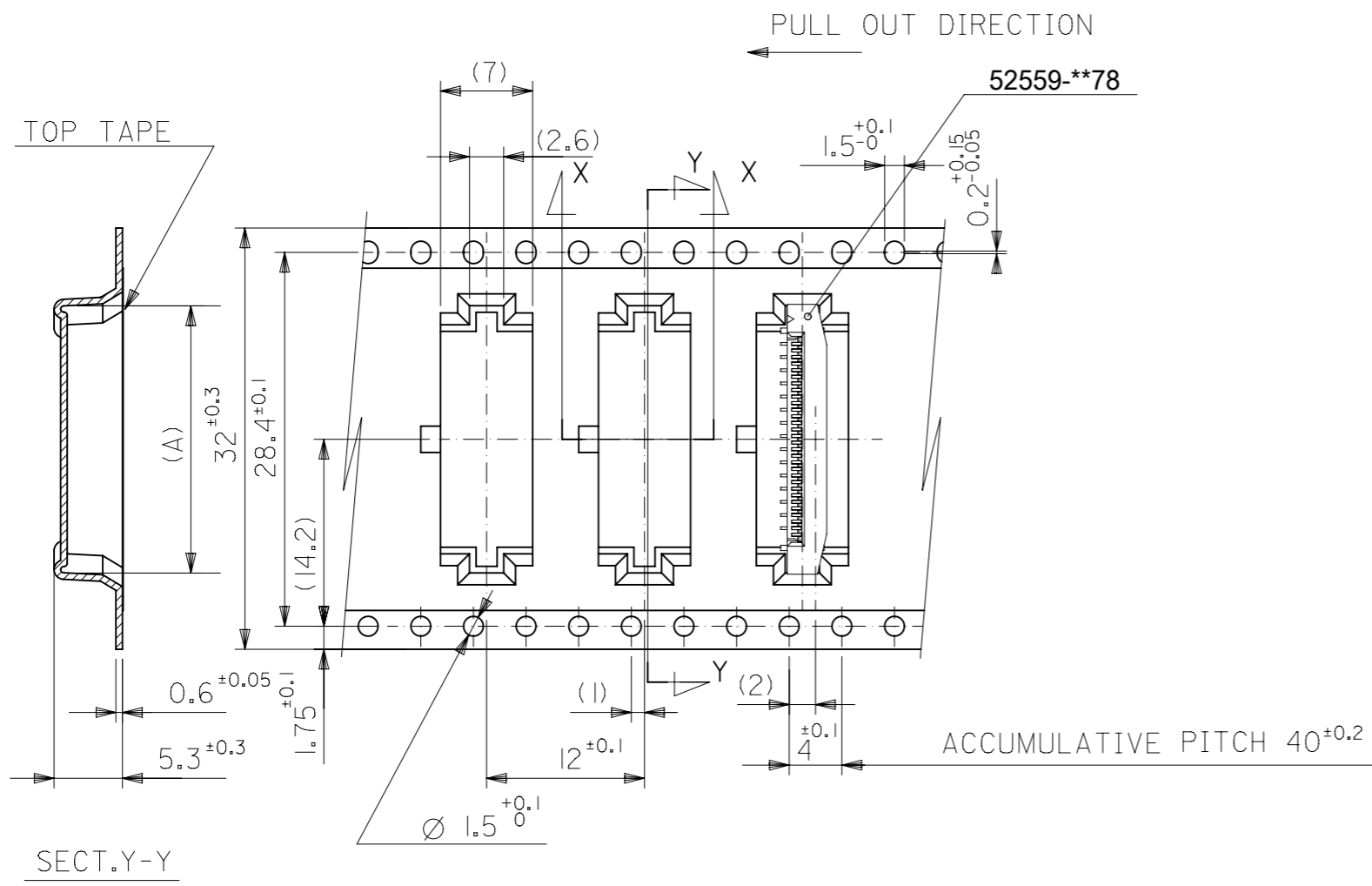
24	29.4	25.4	17.3	52559-2455	24
			16.3	52559-2255	22
			15.3	52559-2055	20
			14.3	52559-1855	18
			13.3	52559-1655	16
			12.8	52559-1555	15
			12.3	52559-1455	14
			11.3	52559-1255	12
CARRIER TAPE WIDTH	C	B	(A)	MATERIAL NO.	CIRCUIT NO.

52559-**55 MODEL NO.

GENERAL TOLERANCES (UNLESS SPECIFIED)	
UNDER 10	±0.2
OVER 10 UNDER 30	±0.25
OVER 30	±0.3
ANGULAR	±3°

THIS DRAWING CONTAINS INFORMATION THAT IS PROPRIETARY TO MOLEX ELECTRONIC TECHNOLOGIES, LLC AND SHOULD NOT BE USED WITHOUT WRITTEN PERMISSION	
DIMENSION UNITS	SCALE
mm	NTS
GENERAL TOLERANCES (UNLESS SPECIFIED)	
4 PLACES ±	±
3 PLACES ±	±
2 PLACES ±	±
1 PLACE ±	±
0 PLACES ±	±
ANGULAR TOL ± °	
DRAFT WHERE APPLICABLE MUST REMAIN WITHIN DIMENSIONS	

CURRENT REV DESC:					
EC NO: 620398	2018/12/24				
DRWN: AKUMAR19	2019/10/18				
CHK'D: GGA	2019/10/18				
APPR: GGA	2019/10/18	PRODUCT CUSTOMER DRAWING			
INITIAL REVISION:		DOCUMENT NUMBER	DOC TYPE	DOC PART	REVISION
DRWN: Y.AOYAGI	2008/09/01	SD-52559-055	PSD	001	C
APPR: N.UKITA	2008/09/01	MATERIAL NUMBER		CUSTOMER	SHEET NUMBER
		SEE TABLE	GENERAL MARKET		2 OF 4



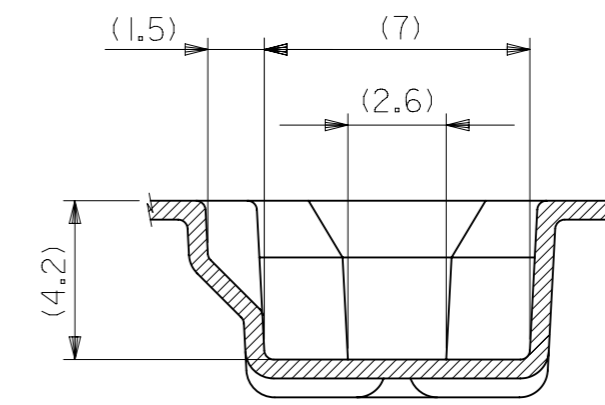
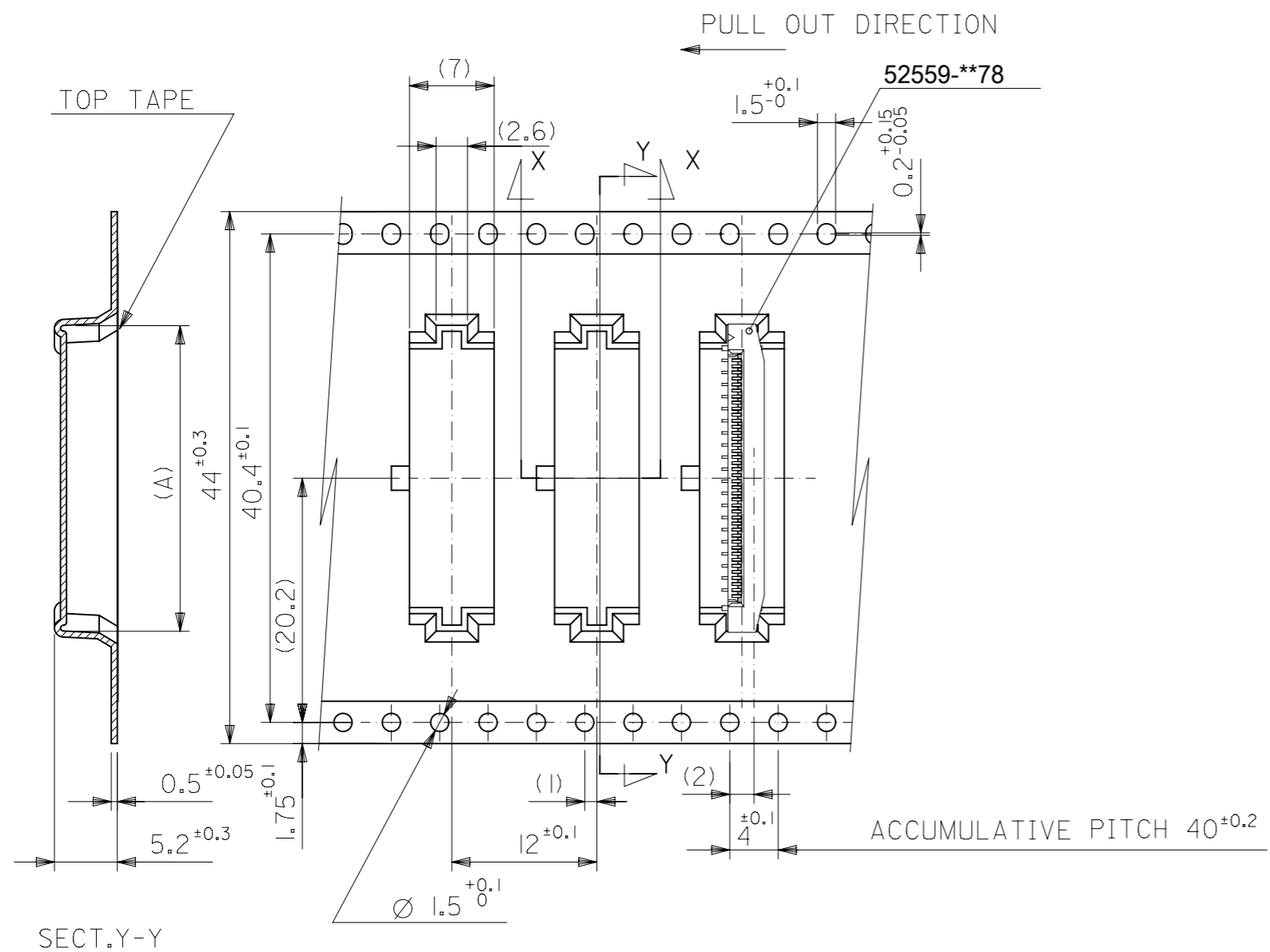
32mm WIDTH CARRIER TAPE

32	37.4	33.4	21.3	52559-3255	32
CARRIER TAPE WIDTH	C	B	(A)	MATERIAL NO.	CIRCUIT NO.
52559-**55				MODEL NO.	

GENERAL TOLERANCES (UNLESS SPECIFIED)	
UNDER 10	±0.2
OVER 10 UNDER 30	±0.25
OVER 30	±0.3
ANGULAR	±3°

THIS DRAWING CONTAINS INFORMATION THAT IS PROPRIETARY TO MOLEX ELECTRONIC TECHNOLOGIES, LLC AND SHOULD NOT BE USED WITHOUT WRITTEN PERMISSION	
DIMENSION UNITS	SCALE
mm	NTS
GENERAL TOLERANCES (UNLESS SPECIFIED)	
4 PLACES ±	±
3 PLACES ±	±
2 PLACES ±	±
1 PLACE ±	±
0 PLACES ±	±
ANGULAR TOL ± °	
DRAFT WHERE APPLICABLE MUST REMAIN WITHIN DIMENSIONS	

CURRENT REV DESC:		molex	
EC NO: 620398	2018/12/24	EMBOSSSED TAPE PACKAGE FOR 52559-**78	
DRWN: AKUMAR19	2019/10/18	PRODUCT CUSTOMER DRAWING	
CHK'D: GGA	2019/10/18	DOCUMENT NUMBER	
APPR: GGA	2019/10/18	SD-52559-055	
INITIAL REVISION:		DOC TYPE	DOC PART
DRWN: Y.AOYAGI	2008/09/01	PSD	001
APPR: N.UKITA	2008/09/01	REVISION	C
THIRD ANGLE PROJECTION	DRAWING	MATERIAL NUMBER	CUSTOMER
	A3-SIZE	SEE TABLE	GENERAL MARKET
SERIES	52559	SHEET NUMBER	3 OF 4



44mm WIDTH CARRIER TAPE

44	49.4	45.4	25.3	52559-4055	40
			23.3	52559-3655	36
CARRIER TAPE WIDTH	C	B	(A)	MATERIAL NO.	CIRCUIT NO.
				52559-**55	MODEL NO.

GENERAL TOLERANCES (UNLESS SPECIFIED)	
UNDER 10	±0.2
OVER 10 UNDER 30	±0.25
OVER 30	±0.3
ANGULAR	±3°

THIS DRAWING CONTAINS INFORMATION THAT IS PROPRIETARY TO MOLEX ELECTRONIC TECHNOLOGIES, LLC AND SHOULD NOT BE USED WITHOUT WRITTEN PERMISSION

DIMENSION UNITS		SCALE		CURRENT REV DESC:	
mm	INCH	mm	NTS		
GENERAL TOLERANCES (UNLESS SPECIFIED)				EC NO: 620398	
4 PLACES ±	±			DRWN: AKUMAR19	2018/12/24
3 PLACES ±	±			CHK'D: GGA	2019/10/18
2 PLACES ±	±			APPR: GGA	2019/10/18
1 PLACE ±	±			INITIAL REVISION:	
0 PLACES ±	±			DRWN: Y.AOYAGI	2008/09/01
ANGULAR TOL ± °	± °			APPR: N.UKITA	2008/09/01
DRAFT WHERE APPLICABLE MUST REMAIN WITHIN DIMENSIONS		THIRD ANGLE PROJECTION	DRAWING	SERIES	MATERIAL NUMBER
			A3-SIZE	52559	SEE TABLE
				CUSTOMER	SHEET NUMBER
				GENERAL MARKET	4 OF 4

molex

EMBOSSSED TAPE PACKAGE FOR 52559-**78

PRODUCT CUSTOMER DRAWING

DOCUMENT NUMBER	DOC TYPE	DOC PART	REVISION
SD-52559-055	PSD	001	C