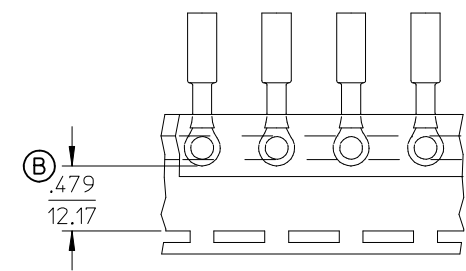
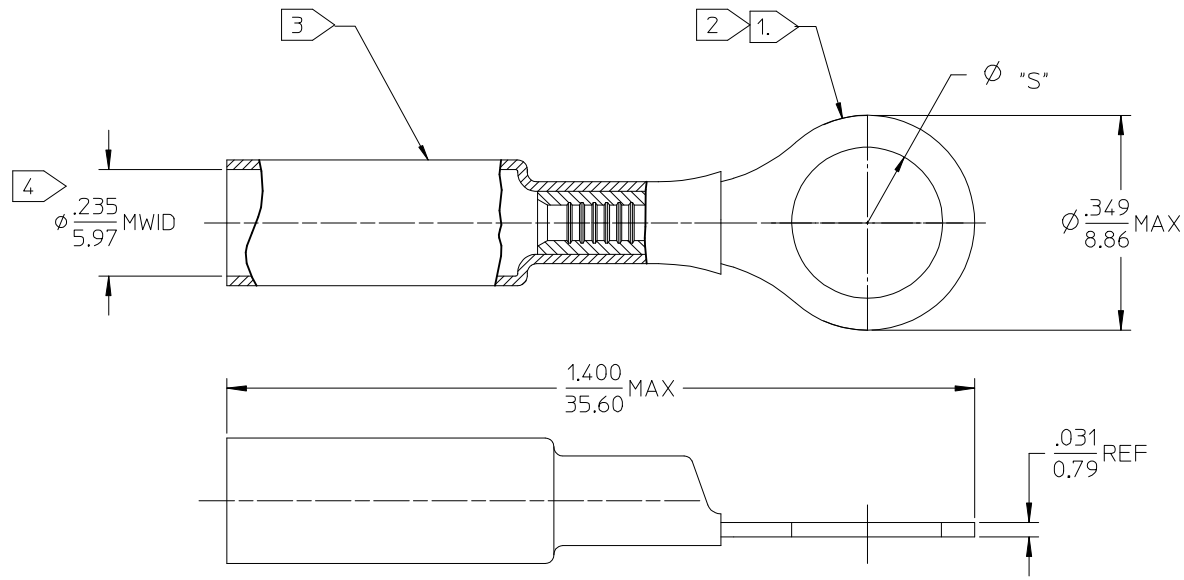


MATERIAL NUMBER	ENGINEERING NUMBER	MATERIAL NUMBER ON TAPE	ENGINEERING NUMBER	STUD SIZE	"S" ±.005/0.03
191640035	SB-239-04	---	---	#4	.119/3.02
191640036	SB-239-06	---	---	#6	.146/3.71
191640037	SB-239-08	---	---	#8	.173/4.39
191640038	SB-239-10	191640313	SB-239-10T	#10	.198/5.03



PARTS ON TAPE

SALES DRAWING

NOTES:

- 1. MATERIAL: COPPER ALLOY.
- 2. FINISH: ELECTRO TIN PLATE.
- 3. INSULATION MATERIAL: HEAT SHRINKABLE TUBING WITH HOTMELT ADHESIVE INNER LINER. COLOR: BLUE.
- 4. MWID = MAXIMUM WIRE INSULATION DIAMETER.

DIM .479 WAS .550 EC NO: ETC2005-0212 DRWN: DMYRICK 2005/06/20 CHKD: RDEROSS 2005/06/21 APPR: RDEROSS 2005/06/21	QUALITY SYMBOLS	GENERAL TOLERANCES (UNLESS SPECIFIED)	SCALE 2:1	DESIGN UNITS INCH	THIRD ANGLE PROJECTION	REVISE ON CAD ONLY
	DESCRIPTION ▽ -0 ∇ -0	mm INCH	DIMENSION STYLE IN/MM	TITLE		
		4 PLACES ± --- ± ---	DRAWN BY ENDERLE DATE 2004/06/21	RING TONGUE TERMINAL PERMA-SEAL NIAC 16-14 AWG		
		3 PLACES ± --- ± ---	CHECKED BY BEITZEL DATE 2004/06/21	MATERIAL NO. SEE CHART DOCUMENT NO. SD-19164-067 SHEET NO. 1 OF 1		
	2 PLACES ± --- ± ---	APPROVED BY DEROSS DATE 2004/06/21	MOLEX INCORPORATED			
	1 PLACE ± --- ± ---		THIS DRAWING CONTAINS INFORMATION THAT IS PROPRIETARY TO MOLEX INCORPORATED AND SHOULD NOT BE USED WITHOUT WRITTEN PERMISSION			
	ANGULAR ± --- °					
	DRAFT WHERE APPLICABLE MUST REMAIN WITHIN DIMENSIONS					