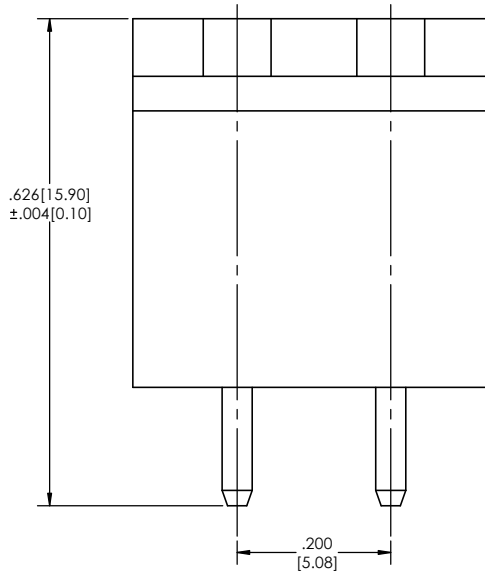
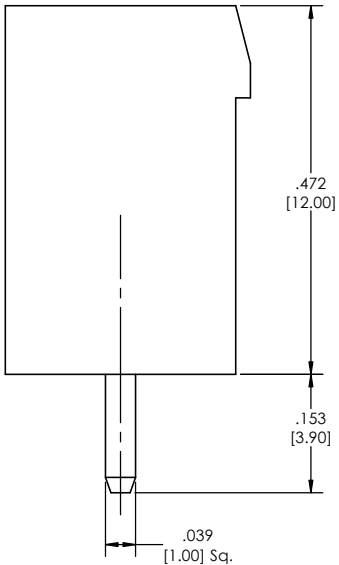
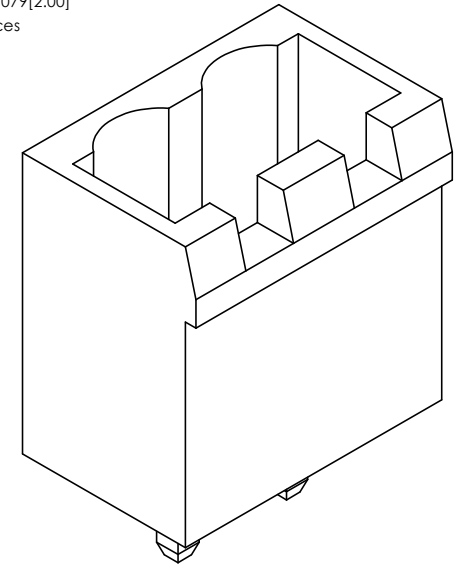
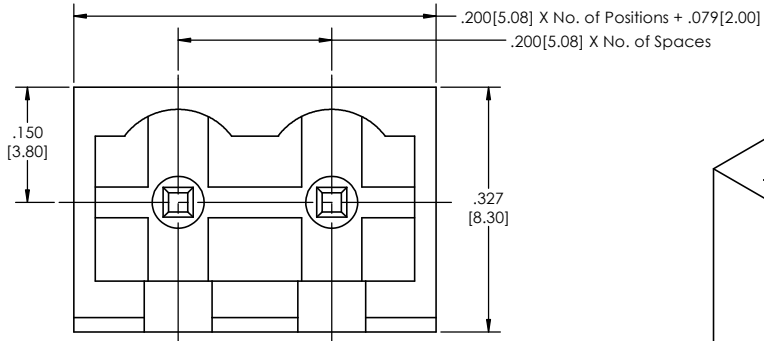
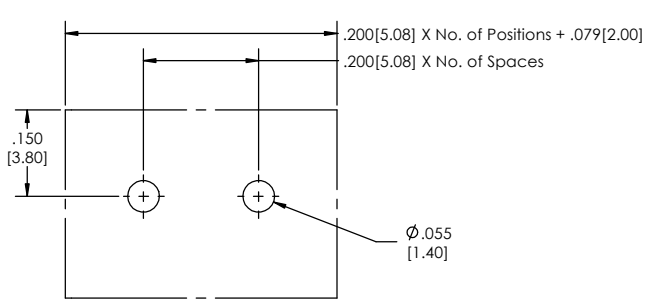


Recommended P.C. Board Layout
SCALE 6:1



TBPH - 00 - **200** - **XX** - **XX** - **LF**
(A) (B) (C) (D)

- A. Pitch
- 200= .200(5.08) cl
- B. No. of Positions
- 02-24
- C. Color
- GR= Green (Standard)
- BK= Black
- BL= Blue
- WH= White
- GY= Grey
- OR= Orange
- YW= Yellow
- RD= Red
- BR= Brown
- D. Lead Free
- Specifications:
Current Rating: 10 Ampere
Voltage Rating: AC 250V
Insulation Resistance: DC 500V 500M ohms
Dielectric Withstanding Voltage: AC 2500V/1 minute
Operation Temperature: -33°C to +105°C

- Materials:
1. Body: PA66 (Nylon), UL94 V-0
2. Terminal: Brass, Tin Plated

Tails may be clipped to achieve specific dimensions.
Products cut to specific sizes are uncancellable/ nonreturnable.
Parts are subject to change without notice.



PROPRIETARY AND CONFIDENTIAL
THE INFORMATION CONTAINED IN THIS DRAWING IS THE SOLE PROPERTY OF Major League Electronics. ANY REPRODUCTION IN PART OR AS A WHOLE WITHOUT THE WRITTEN PERMISSION OF Major League Electronics IS PROHIBITED.

UNLESS OTHERWISE SPECIFIED:		NAME	DATE		
DIMENSIONS ARE IN INCHES		DRAWN	EOW		04/18/14
TOLERANCES:		CHECKED	GWE		04/18/14
ONE DECIMALS ±.100		ENG APPR.			
TWO DECIMAL ±.010		MFG APPR.			
THREE DECIMAL ±.005		ADDRESS:		TITLE: TBPH-00-200 Series	
FOUR DECIMAL ±.002		2533 Centennial Blvd.		SIZE DWG. NO.	
NEXT ASSY USED ON		Jeffersonville, IN 47130		REV	
APPLICATION		Phone: 812-670-4174		A	
DO NOT SCALE DRAWING		Fax: 812-670-4175		SCALE 8:1	
		E-Mail: mle@mlelectronics.com		SHEET 1 OF 1	