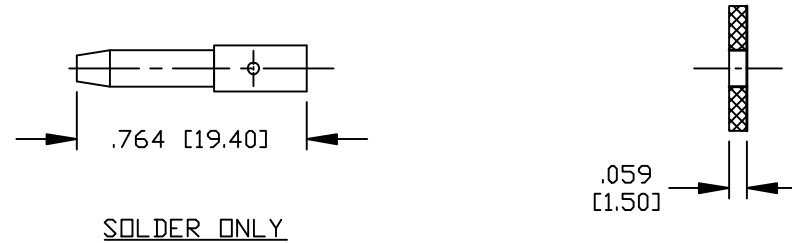
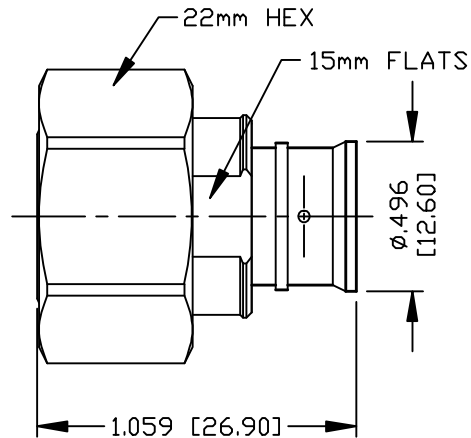


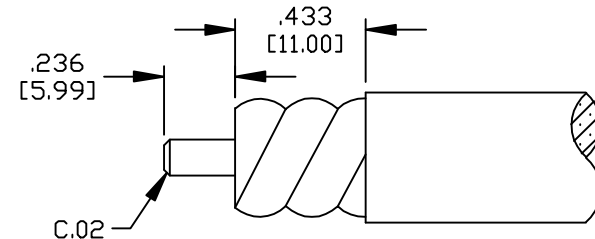
PART NO.

**RFD-43MDS-H8**


REV	DESCRIPTION	DWN	DATE	APPROVED
A	UPDATED SPECS	DM	10/22/20	JDM

SPECIFICATIONS:

INTERFACE: IEC61169-54  
 IMPEDANCE: 50 Ohms  
 FREQUENCY RANGE: 0-6 GHz  
 RETURN LOSS: 30 dB, DC-700 MHz  
 RETURN LOSS: 26 dB, 700-3500 MHz  
 RETURN LOSS: 21 dB, 3500-6000 MHz  
 INSERTION LOSS: -0.1 dB MAX  
 3rd ORDER IM: <-161 dBc  
 3rd ORDER IM TEST METHOD 2x43 dBm CARRIERS  
 VOLTAGE RATING: 500V RMS MAX  
 DIELECTRIC WITHSTANDING VOLTAGE: 2500 VRMS MAX  
 INSULATION RESISTANCE: 5000 MΩ MIN  
 MATING CYCLES: >100  
 COUPLING TORQUE: 5 Nm  
 TEMPERATURE RANGE: -55° TO 90° C  
 ENVIRONMENTAL: IP68 MATED  
 COMPLIANCE: RoHS  
 NET WEIGHT: 0.1 lb  
 FOR FSJ2-50, LCF38-50J, LDF2-50, SCF38-50J, SPF-375,  
 SPO-375 & SPP-375 CABLE

RECOMMENDED STRIPING DIMENSIONS

6	COUPLING NUT	1	BRASS	CuSnZn Alloy
5	PRESS CAP	1	BRASS	CuSnZn Alloy
4	GASKET	1	SILICONE	RED
3	PIN	1	BRASS	SILVER
2	INSULATOR	1	PTFE	NATURAL
1	BODY	1	BRASS	CuSnZn Alloy
#	DESCRIPTION	QTY	MATERIAL	FINISH

CUSTOMER OUTLINE DRAWING				RF INDUSTRIES.COM 7610 MIRAMAR RD. SAN DIEGO, CA 92126 (858) 549-6340 DIVISION OF RF INDUSTRIES, LTD. (858) 549-6345 FAX		
ALL DIMENSIONS ARE REFERENCE ONLY				<b>4.3/10 MALE SOLDER, FOR 3/8" SUPERFLEX</b>		
UNLESS OTHERWISE SPECIFIED: DIMENSIONS ARE IN INCHES AND [MILLIMETERS]		PROPRIETARY AND CONFIDENTIAL THIS DRAWING CONTAINS INFORMATION PROPRIETARY TO RF INDUSTRIES. ANY UNAUTHORIZED USE OF THIS DRAWING IS EXPRESSLY PROHIBITED WITHOUT WRITTEN PERMISSION FROM RF INDUSTRIES. ANY VIOLATION IS PUNISHABLE UNDER U.S. COPYRIGHT LAWS.		CABLE GROUP	DWG #	REVISION
DRAWN DM		10/22/20		H8	<b>RFD-43MDS-H8</b>	A
CHECKED				FORMAT	SCALE	CONTROL #
ORJ DRAWN C. ZUÑIGA		08/20/20		A	NTS	000000
						SHEET 1 OF 1