

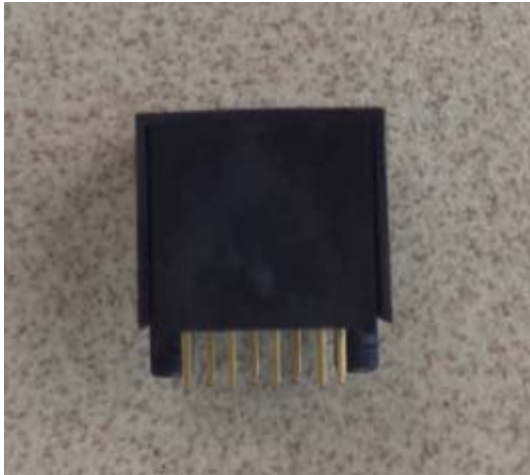
Amphenol Canada Corp - Product Change Notice (PCN)

PCN Date	Jun01,2015
Supplier Name:	Amphenol Canada Corp.
Amphenol Canada PCN Number	PCN-C1228
Description of Change	Improve the connector housing design for effectiveness in the automation process;
Reason for Change	Design improvement with minor modification on connector housing to maximize the automation process efficiency;
Summary of changes between new and old part	Minor modifications on the appearance of the housing for automation process. There is no change on the form, fit and function in the connector final assembly.
Traceability guidelines (lot code / date code, markings, ship date...)	The new version will be phased in new order PO#408159.
Last Time Buy Date	N/A
Datasheet attached? & Filename(s)	P-FRJAE-XXX-REVA
Qual Test data attached? & Filename(s)	Not applicable

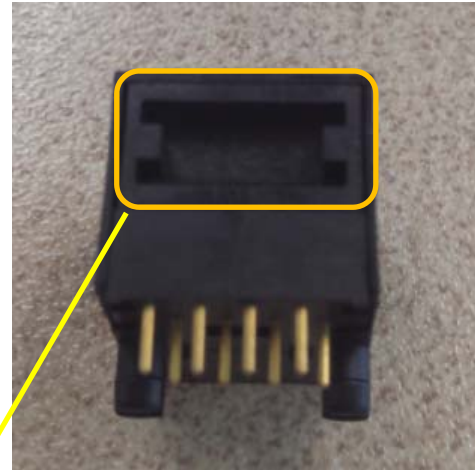
Customer Part Number	Amphenol Old Part Number	Amphenol New Part Number	PCN Effectivity Date	Samples Availability Date	Last Time Buy Date	Expected Supplier Qual Date
	P-FRJAE-408	No change	04-Jun-15	08-Jun-15	25-May-15	Not applicable
	P-FRJAE-438	No change	04-Jun-15	08-Jun-15	25-May-15	Not applicable
	P-FRJAE-488	No change	04-Jun-15	08-Jun-15	25-May-15	Not applicable

Change note

Before change

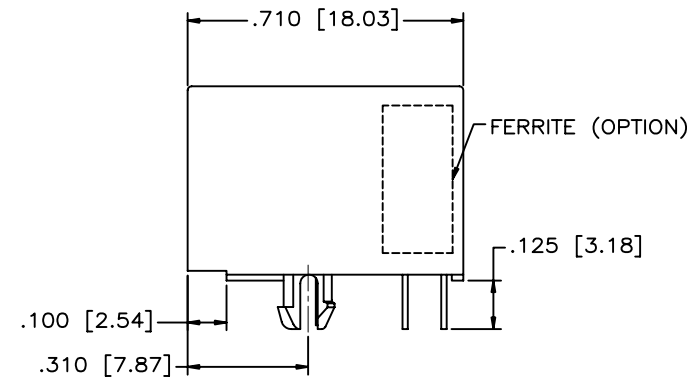
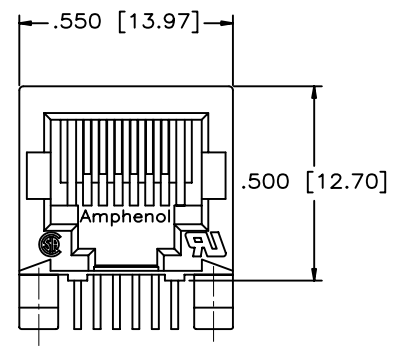


After change

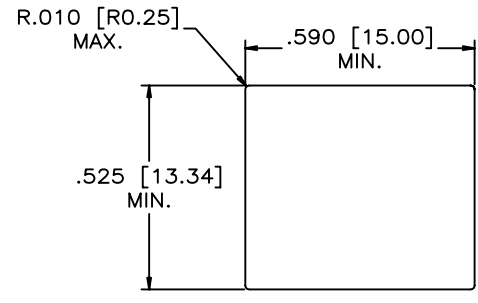


Minor modifications on the appearance of the housing for automation process.

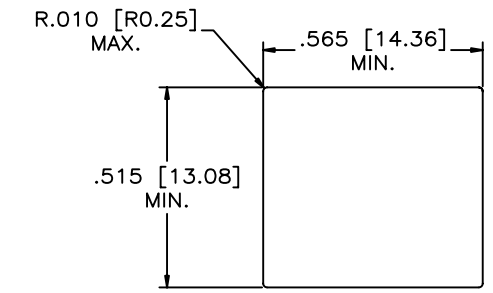
REVISIONS				
SYM	ZONE	ECN, ERN NO.	DATE	APPRD.
A		PROPOSAL	05/10/12	L.CHAN



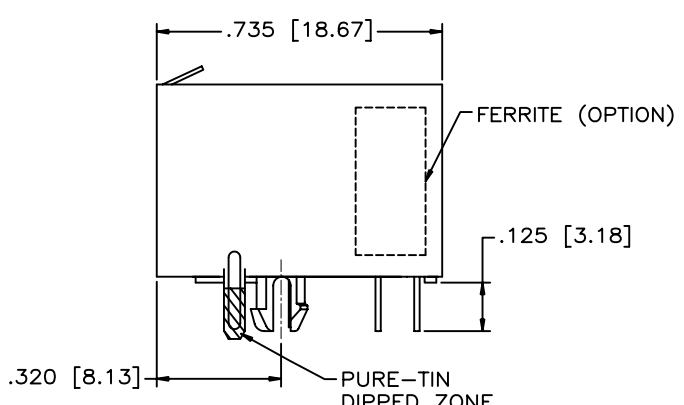
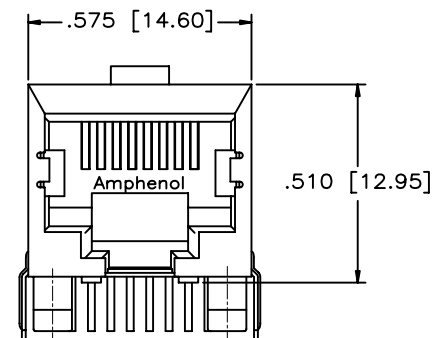
NON-SHIELDED
(8 POSITION, 8 CONTACTS SHOWN)



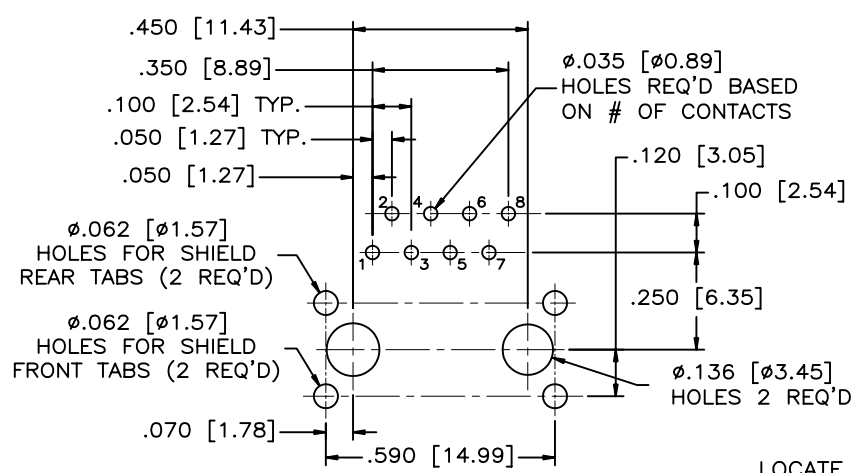
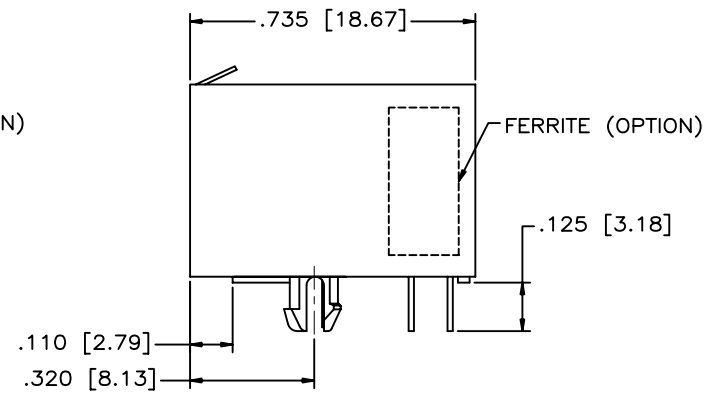
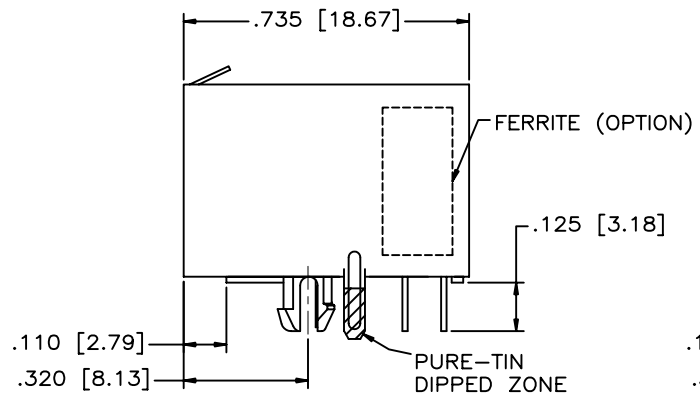
RECOMMENDED PANEL CUTOUT
SHIELDED



RECOMMENDED PANEL CUTOUT
NON-SHIELD



SHIELDED
(8 POSITION, 8 CONTACTS SHOWN)



RECOMMENDED P.C.B. LAYOUT

LOCATE HOLES
⊕ ⌀.005 [0.13]
POSITION DIMENSIONS
ARE BASIC

FRJAE CONNECTOR NUMBER SYSTEM

EXAMPLE: **F R J A E - X X X**
SERIES _____

CONNECTOR STYLE & POSITIONS

- 4=RJ45 OR 8 POSITIONS
- 6=RJ11 OR 6 POSITIONS

OPTIONS

- 0=NON FILTERED, NON SHIELDED
- 1=FILTERED WITH FRONT TAIL SHIELD
- 3=SHIELD (FRONT TAIL)
- 4=FILTERED
- 6=FILTERED WITH REAR TAIL SHIELD
- 7=FILTERED WITH NON-TAIL SHIELD
- 8=SHIELD (REAR TAIL)
- 9=SHIELD (NON-TAIL)

NO. OF CONTACTS

- 8 - 8 POSITIONS
- 6 - 6 POSITIONS
- 4 - 4 POSITIONS
- 2 - 2 POSITIONS
- C - 2 POSITIONS -(POS. 2 & 5, IN 6 POS.)
-(POS. 3 & 6, IN 8 POS.)

MATERIALS:
PLASTIC HOUSING: HIGH TEMPERATURE THERMOPLASTIC
FLAMMABILITY RATING UL 94V-0

CONTACTS: PHOSPHOR BRONZE
PLATING: 50 μ" [1.27 MICRONS]
MIN. GOLD ON MATING SURFACES.
50 μ" [1.27 MICRONS]
MIN. NICKEL UNDERPLATE
GOLD FLASH ON CONTACT TAILS.

SHIELD: COPPER ALLOY
PLATING: NICKEL WITH PURE-TIN DIPPED PCB TAIL.

DRAWN PAULW	DATE 05/12/25
DESIGNED	
CHECKED CHIGOW	05/12/25
I. E. APPRD.	
Q. A. APPRD.	
DWG. APPRD.	
ENG. REL. NO.	
REF.	
DIMENSIONS ARE IN INCHES [mm]	CODE ID. NO. 03554

Amphenol Canada Corp.	
TITLE FRJAE ASSEMBLY, 6 POSITION & 8 POSITION, WITH OR WITHOUT FERRITES, SINGLE PORT, HIGH TEMP. MATERIAL SHIELDED OR UNSHIELDED - RoHS COMPLIANT	
DWG	DRAWING NO. P-FRJAE-XXX
REV.	A
SCALE	WT. ----- SURF. ----- SHEET 1 OF 1

THIS DOCUMENT CONTAINS PROPRIETARY INFORMATION AND SUCH INFORMATION MAY NOT BE DISCLOSED TO OTHERS FOR ANY PURPOSE OR USED FOR MANUFACTURING PURPOSES WITHOUT WRITTEN PERMISSION FROM AMPHENOL CANADA CORP.