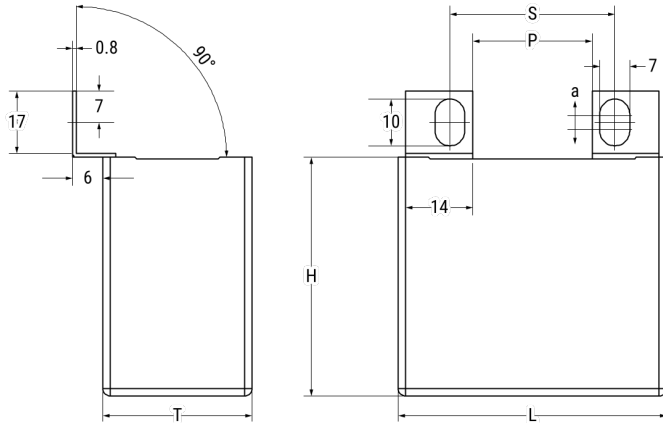


C4BSMBX4220ZGLJ

C4BS, Film, Metallized Polypropylene, Power, 2.2 μ F, 5%, 550 VAC, 850 VDC, 70°C, Lead Spacing = 22mm



Click [here](#) for the 3D model.

Dimensions	
L	42mm +1.5/-0.7mm
H	45mm +0.2/-0.7mm
T	30mm +0.4/-0.7mm
S	22mm +/-0.2mm
SI	4mm +/-0.2mm
P	10.5mm NOM

Packaging Specifications	
Packaging	Bulk, Bag
Packaging Quantity	32

General Information	
Series	C4BS
Dielectric	Metallized Polypropylene
Style	Radial
Features	IGBT Circuit
RoHS	Yes
Lead	Flat Tabs
AEC-Q200	No
Component Weight	92 g
Miscellaneous	KEMET Style G Tabs.

Specifications	
Capacitance	2.2 μ F
Capacitance Tolerance	5%
Voltage AC	550 VAC
Voltage DC	850 VDC
Temperature Range	-40/+85°C
Rated Temperature	70°C
Max dV/dt	758 V/us
Resistance	1.9 mOhms (100kHz)
Ripple Current	37 Amps (100kHz 70C), 1668 Amps (Peak)
Inductance	43 nH

Statements of suitability for certain applications are based on our knowledge of typical operating conditions for such applications, but are not intended to constitute - and we specifically disclaim - any warranty concerning suitability for a specific customer application or use. This information is intended for use only by customers who have the requisite experience and capability to determine the correct products for their application. Any technical advice inferred from this information or otherwise provided by us with reference to the use of our products is given gratis, and we assume no obligation or liability for the advice given or results obtained.