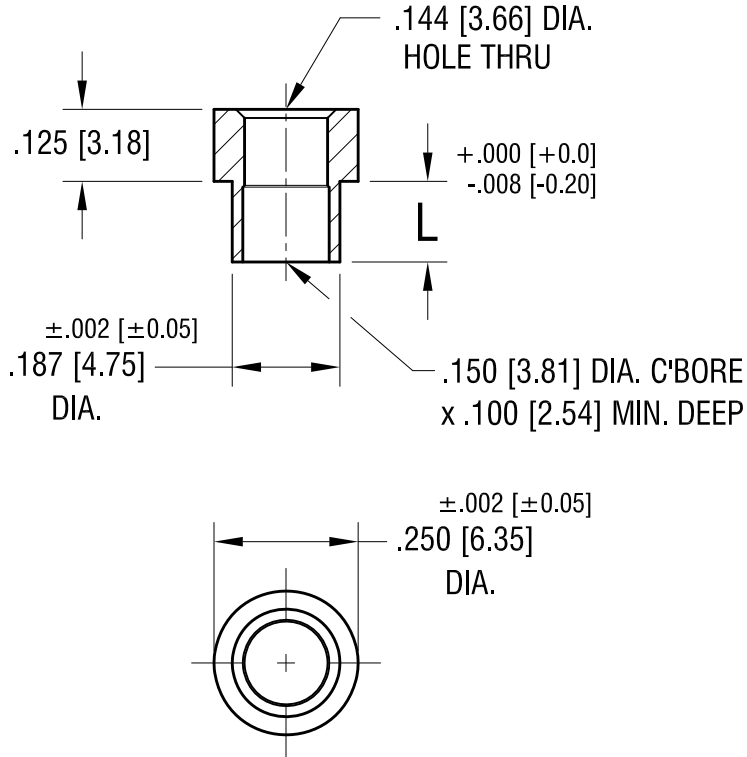


THIS DOCUMENT IS THE PROPERTY OF  
KEYSTONE ELECTRONICS CORP. AND  
SHALL NOT BE REPRODUCED, DISTRIBUTED  
OR USED AS A BASIS FOR MANUFACTURE  
WITHOUT PRIOR WRITTEN PERMISSION  
FROM KEYSTONE ELECTRONICS CORP.

ACTUAL SIZE



P/N 5059-2



PART NO.	'L' DIM.
5059-2	.109 [2.77]
5059-3	.140 [3.56]

<b>KEYSTONE ELECTRONICS CORP.</b>			
www.keyelco.com • NEW HYDE PARK, NY 11040 • Tel (516) 328-7500			
PART NAME			
ROUND SWAGE CLEAR SPACER			
MATERIAL			
BRASS			
FINISH	DUCTILE NICKEL PLATE	DRN BY BOONE	DATE 6.09.03
		APP'D LN	SCALE 3X
TOLERANCES	INCH [MM]	CODE	DWG NO.
DECIMAL	± .005 [± 0.13]	C	<b>5059-</b>
ANGULAR	± 1°		
UNLESS OTHERWISE SPECIFIED			

11.19.21	CHANGE AS PER ECN 21-143	A
DATE	DESCRIPTION	REV.