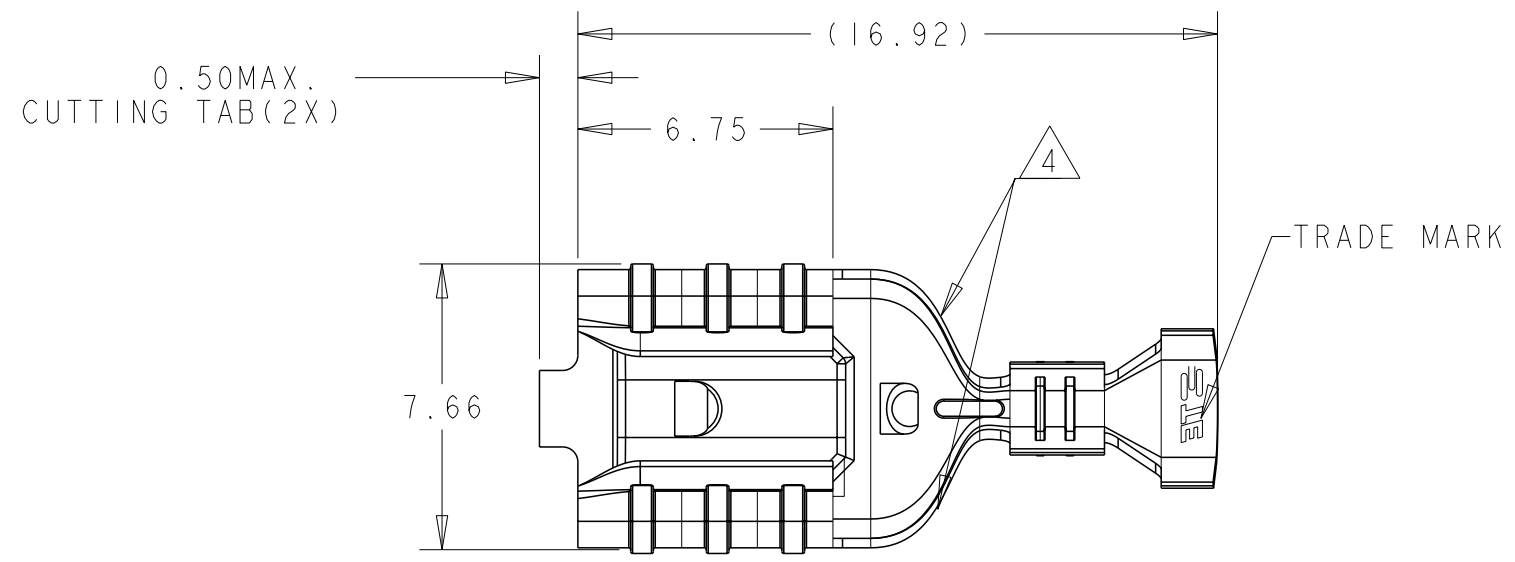
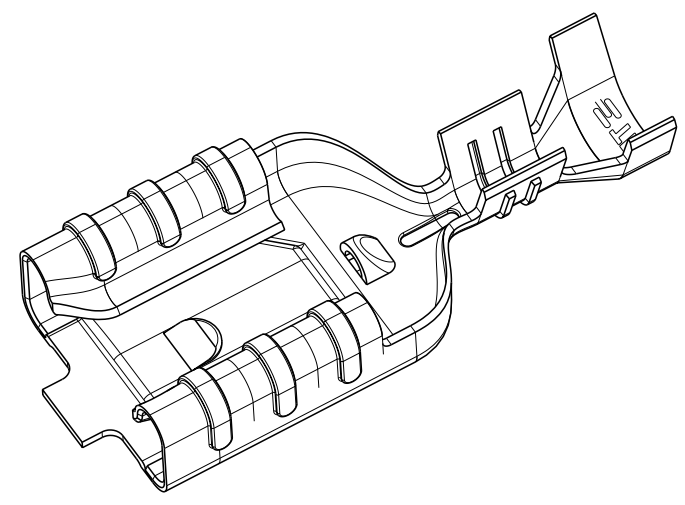
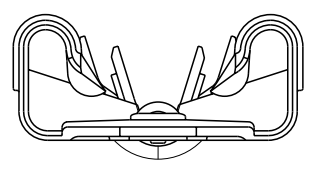
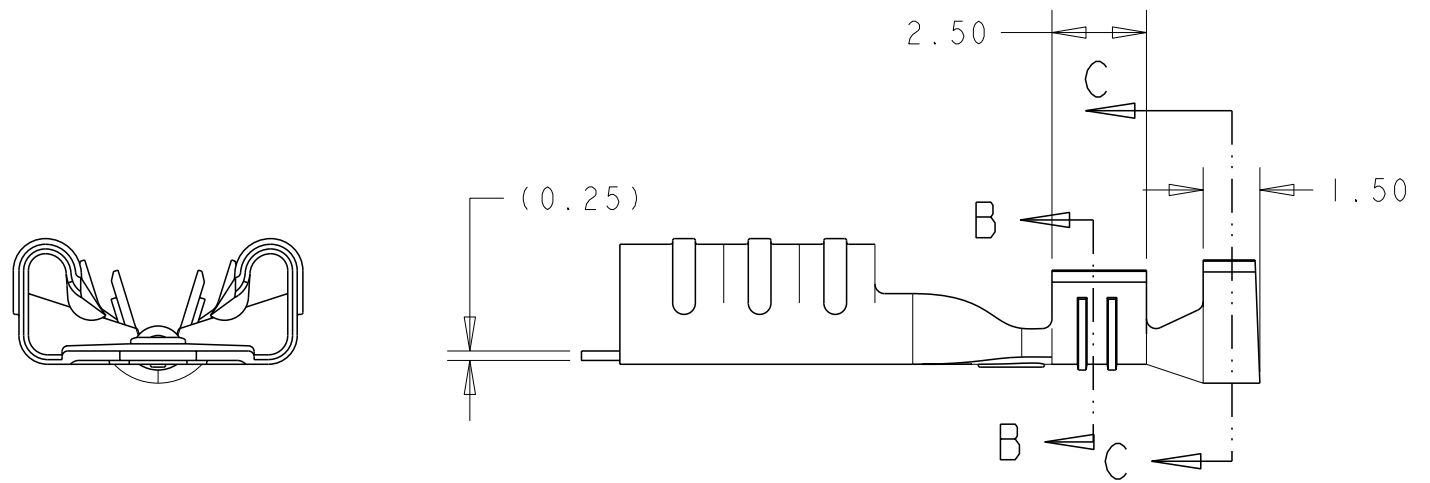
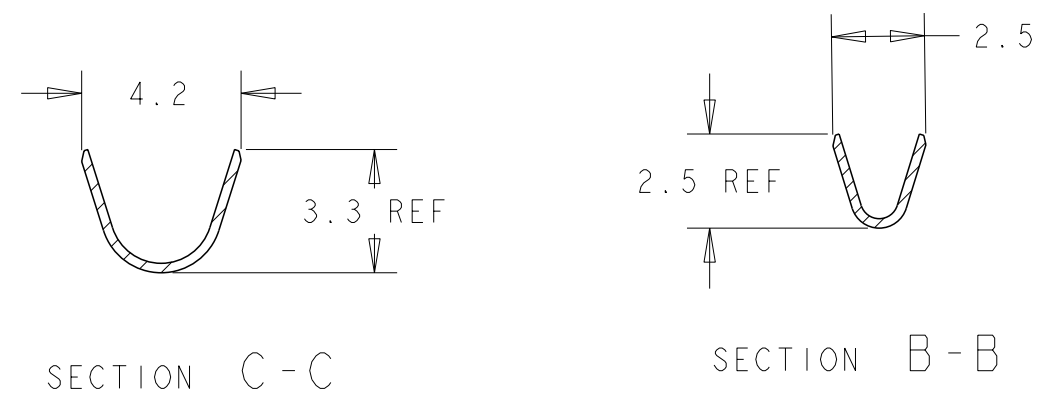


REVISIONS

P	LTR	DESCRIPTION	DATE	DWN	APVD
	A	INITIAL RELEASE	19MAY2021	DL	EW
	AI	REVISED PER ECR-21-107283	15JUL2021	SS	EW



- 1 WIRE RANGE, AWG 22-18, INSULATION RANGE: 1.6-2.5mm²
- 2 CONTINUOUS STRP ON REEL
- 3 MATING TAB THICKNESS: 0.80MM
- △ 4 DIE MARK HERE FOR SPECIFICA STRIP
- 5. HANDLING REEL PRODUCT REFER TO 408-9816



/	BRASS	2366406-2
PRE-TIN	BRASS	2366406-1
FINISH	MATERIAL	PART NUMBER

THIS DRAWING IS A CONTROLLED DOCUMENT.		DWN 24AUG2020 BASAVARAJA D A		
DIMENSIONS: mm		CHK 24AUG2020 DAISY LI		
TOLERANCES UNLESS OTHERWISE SPECIFIED:		APVD 24AUG2020 WANG ERIC	NAME 250 FASTON RECEPTACLE	
0 PLC ±-		PRODUCT SPEC 108-106542	RESTRICTED TO	
1 PLC ±0.30		APPLICATION SPEC 114-106546	SIZE A3	CAGE CODE 00779
2 PLC ±0.30		WEIGHT -	DRAWING NO C-2366406	REV AI
3 PLC ±0.25		CUSTOMER DRAWING	SCALE 5:1	SHEET 1 OF 1
4 PLC ±-				
ANGLES ±3°				
MATERIAL SEE TABLE				
FINISH SEE TABLE				

printed on 15 Jul 2021 11:51 (India Standard Time) from TE411050