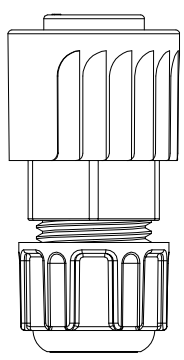
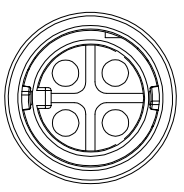
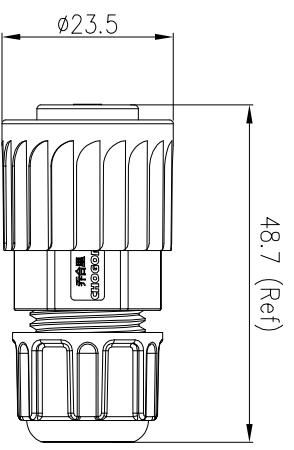
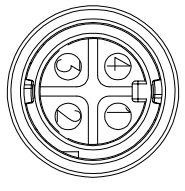


REV.	EN. NO.	DESCRIPTION	SIGN	DATE
C1	N/A	INITIAL DRAWING	Liu	2019/08/13



23XXX131-XX Cable Range OD  
 01 OD: φ3.5mm~φ6.5mm  
 02 OD: φ6.5mm~φ9.5mm

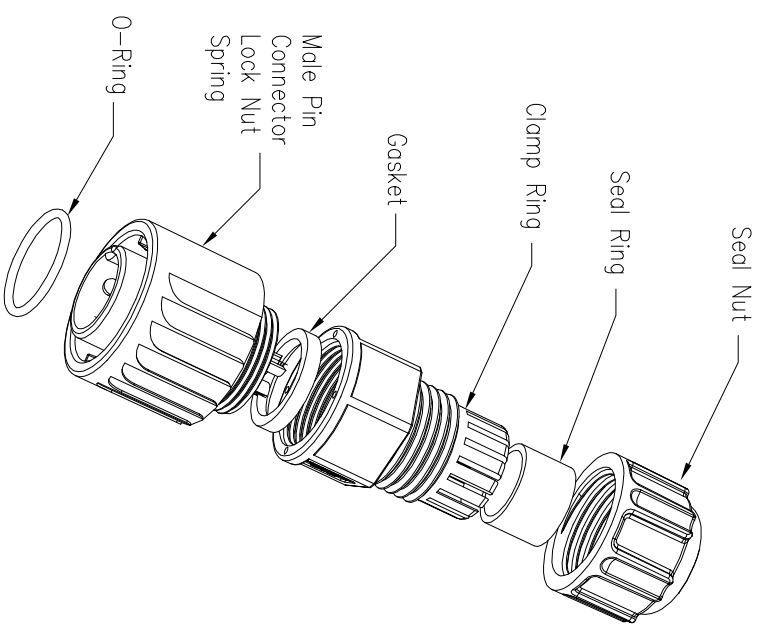
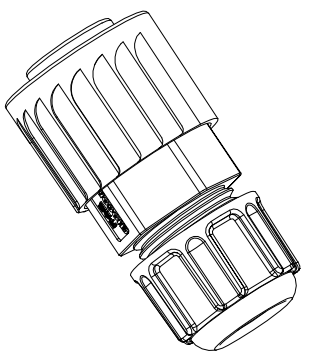
Pin Number



4 Pin

P/N: 23004131-XX

Pin Assignments  
 Front View



Specification:

- 1.Operation Temperature: -45°C~105°C.
- 2.Insulation Resistance: 100MΩ at DC500V.
- 3.Contact Resistance: <10mΩ
- 4.Withstand Voltage: 2000V AC
- 5.Operating Current: 15A
- 6.Operating Voltage: AC 300V
- 7.Waterproof Rate: IP67 (Mated)
- 8.Seal Nut: Nylon, Black
- 9.Seal Ring: Silicon, Black.
- 10.Clamp Ring: Nylon, Black
- 11.Gasket: Silicon, Red
- 12.Male Pin: Copper Alloy, Gold Plated
- 13.Connector: Nylon+GF, Black
- 14.Lock Nut: Nylon, Blue
- 15.Spring: SUS
- 16.O-Ring: Silicon, Red
- 17.RoHS Compliant.
- 18.Mating Cap: 804-00007-00

DESCRIPTION  
 Middle Series Push Lock  
 Male Plug With Male Pin

UNIT: mm	SCALE: 1:1	SHEET: 1	OF: 1
TOLERANCE .X .XX .XXX ANGLES	±0.25 ±0.15 ±0.05 ±1°	REV: C1	SIZE: A4

**CHOGORI**

PART NO 23XXX131-XX	DRAWN BY Liu	DATE 2019/08/13
DWG NO	CHECKED BY Mo	DATE 2019/08/13
CUSTOMER	APPROVED BY Pamson	DATE 2019/08/13