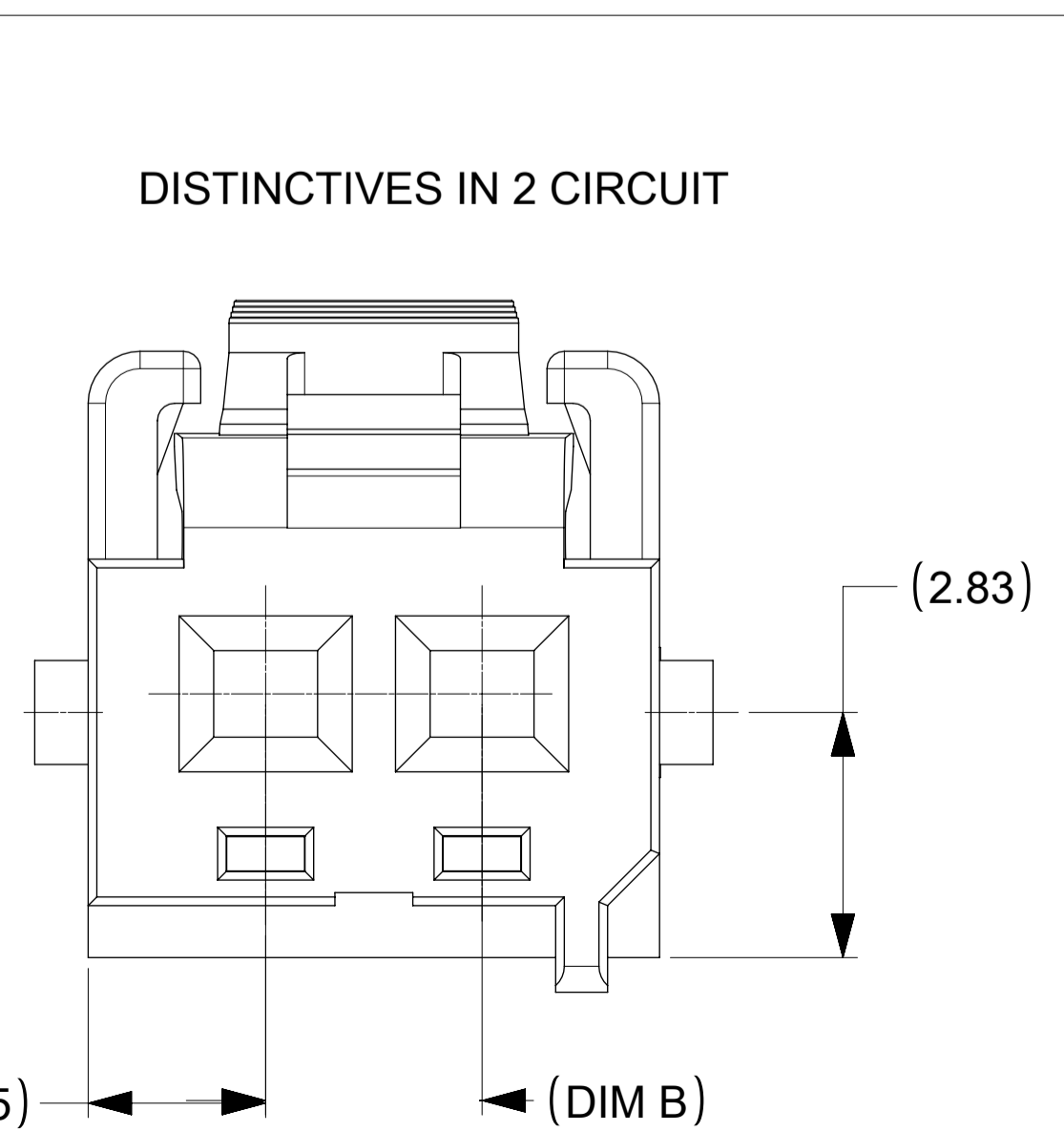
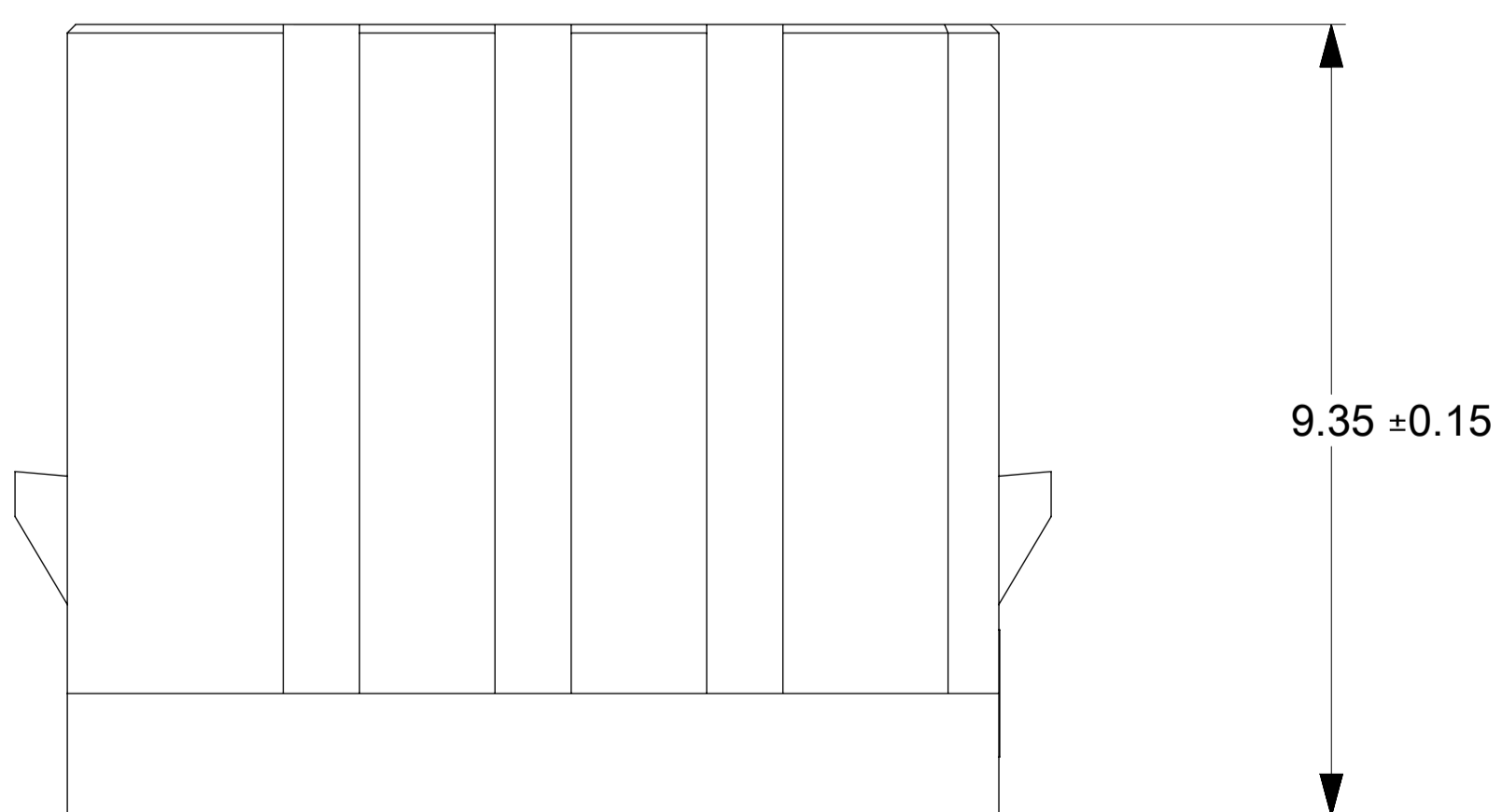
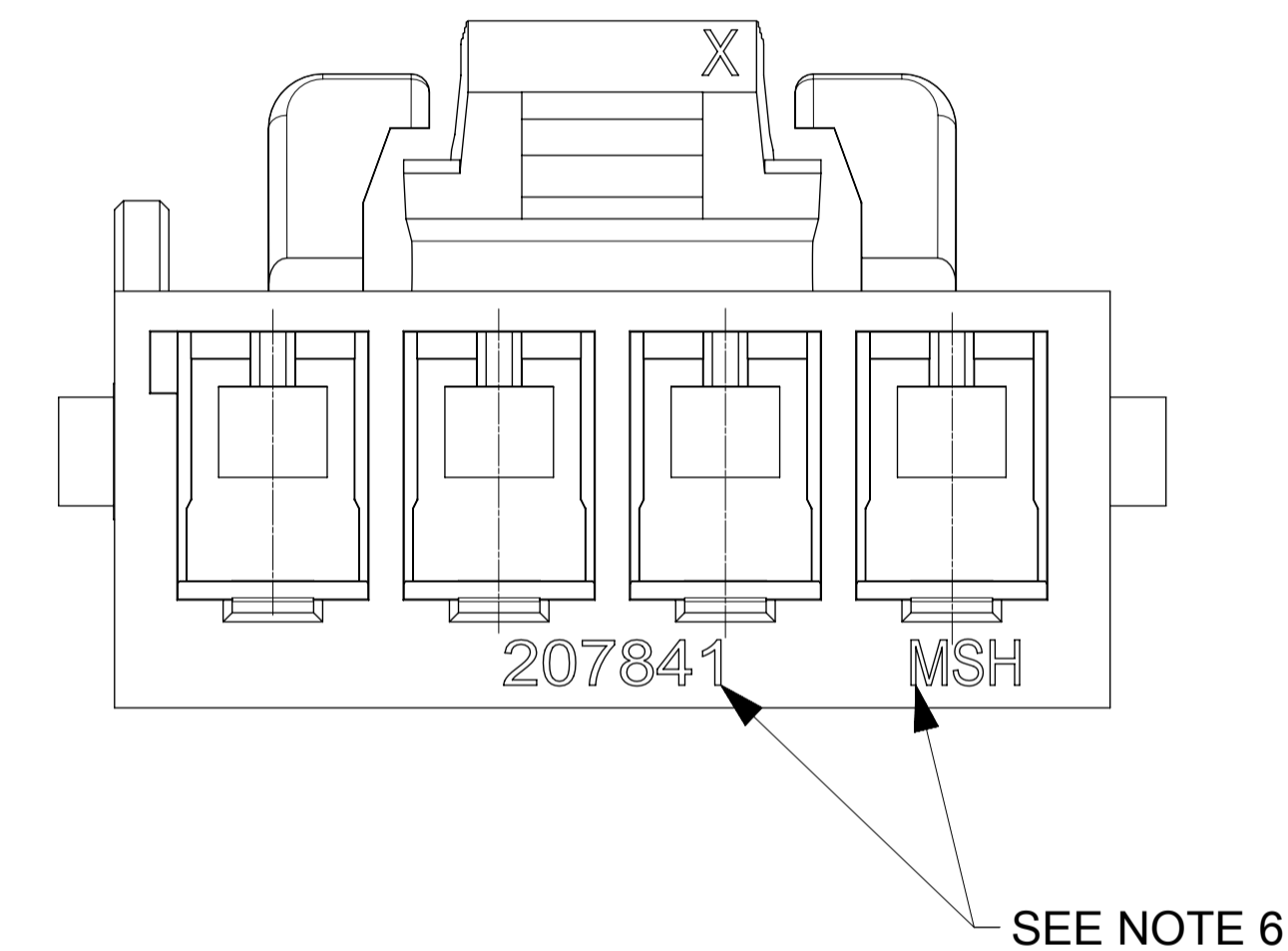
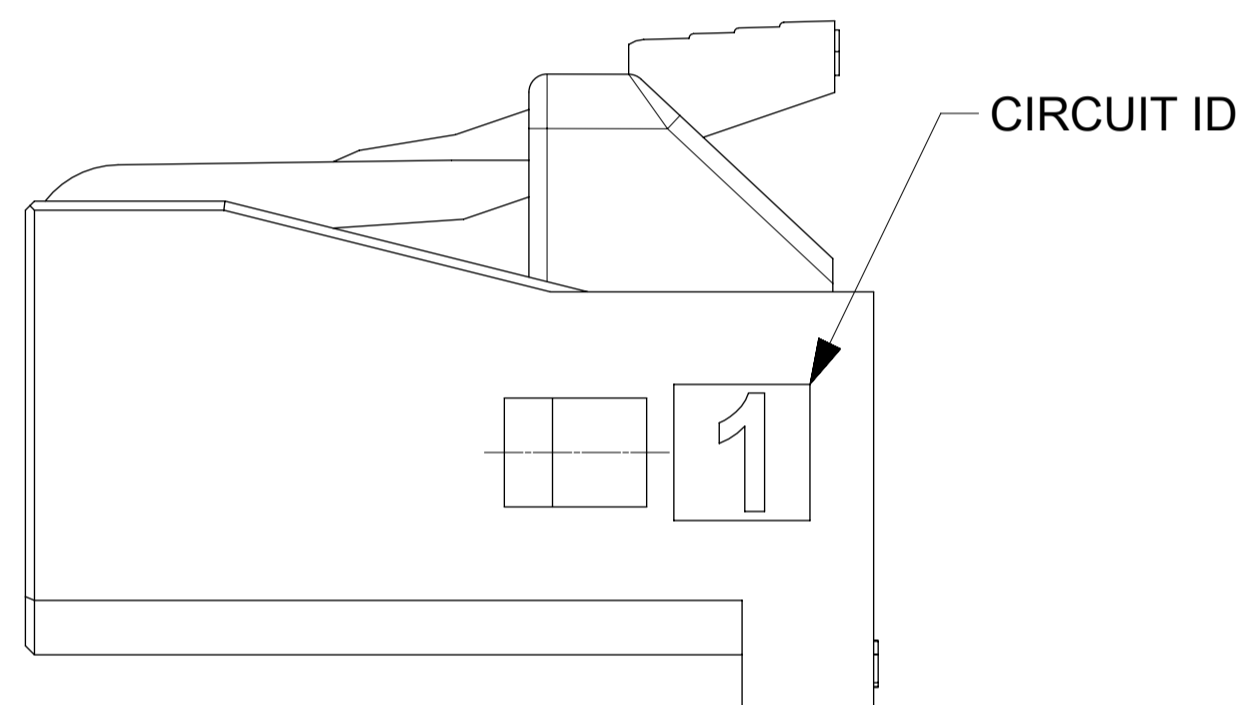
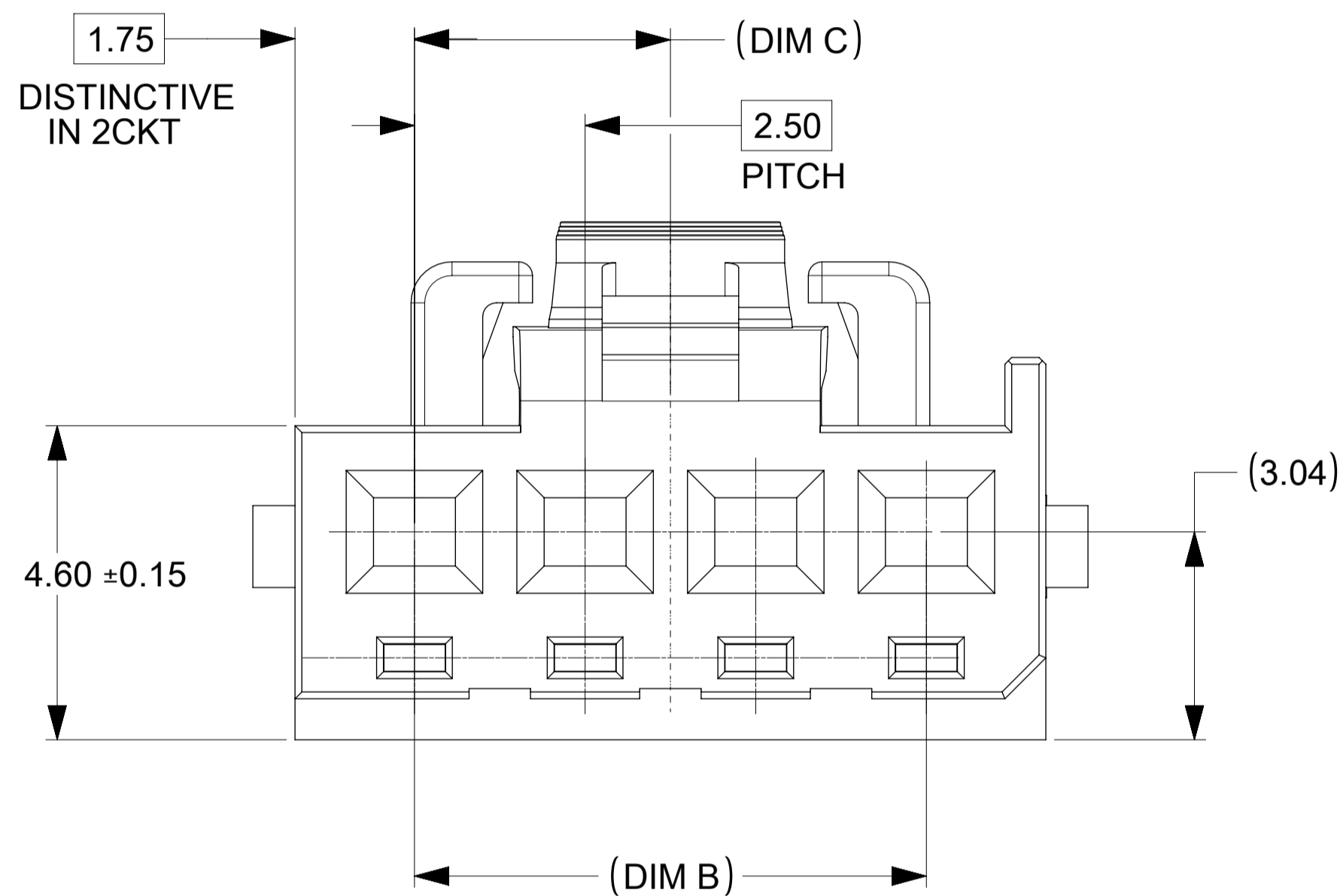


ISOMETRIC VIEW FOR 4 CIRCUIT



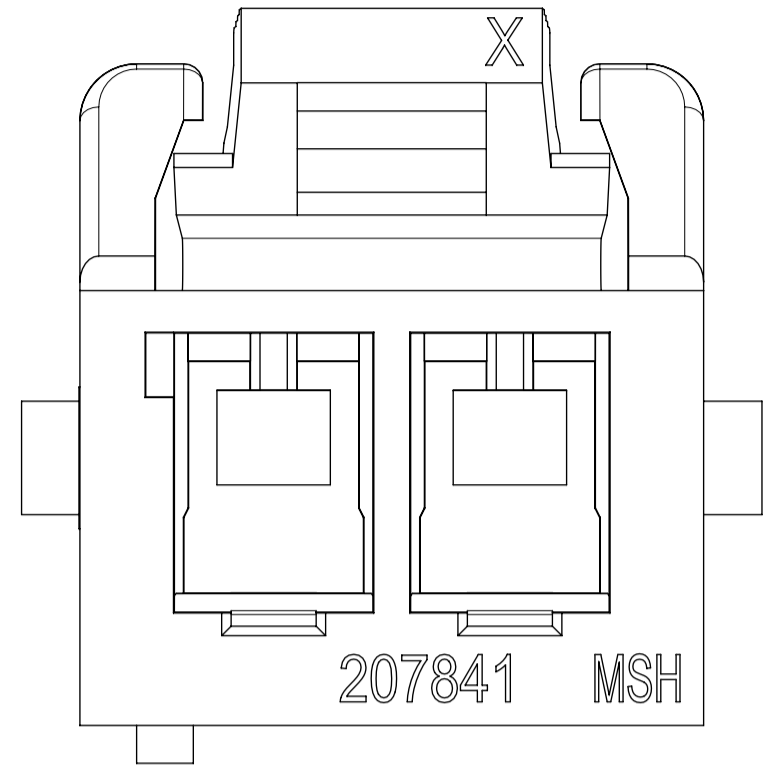
- NOTES:**  
 1. MATERIAL: PA66, UL 94V-0, COLOR-BLACK  
 2. PRODUCT SPECIFICATION: 2079020001-PS  
 3. PACKAGING SPECIFICATION: 2078410000-PK  
 4. COSMETIC SPECIFICATION: PS-45499-002 CLASS B  
 5. HOUSING ACCEPTS TERMINALS FROM 46626 SERIES  
 6. MOLEX LOGO AND SERIES ID

CKT	PART NUMBER	DIM.A	DIM. B	DIM. C
02	2078410002	6.61	2.50	1.25
03	2078410003	8.50	5.00	2.50
04	2078410004	11.00	7.50	3.75
05	2078410005	13.50	10.00	5.00
06	2078410006	16.00	12.50	6.25
07	2078410007	18.50	15.00	7.50
08	2078410008	21.00	17.50	8.75

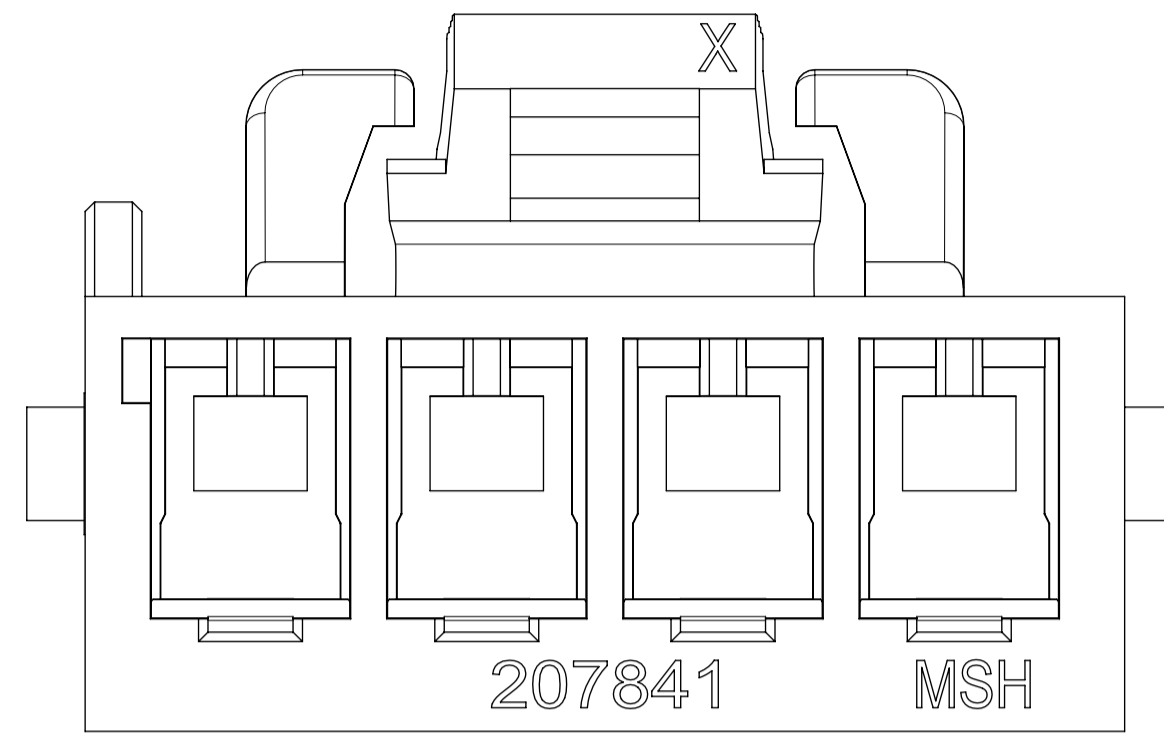
SYMBOLS	THIS DRAWING CONTAINS INFORMATION THAT IS PROPRIETARY TO MOLEX ELECTRONIC TECHNOLOGIES, LLC AND SHOULD NOT BE USED WITHOUT WRITTEN PERMISSION		CURRENT REV DESC:				
▽ = 0	DIMENSION UNITS	SCALE			RECEPTACLE HOUSNG FOR KK PLUS 250		
▽ = 0	mm	10:1					
▽ = 0	GENERAL TOLERANCES (UNLESS SPECIFIED)				PRODUCT CUSTOMER DRAWING		
▽ = 0	ANGULAR TOL ± 0.5°						
▽ = 0	4 PLACES ±		EC NO: 706742		DOCUMENT NUMBER		
▽ = 0	3 PLACES ±		DRWN: SHRUTJ 2022/04/20				
▽ = 0	2 PLACES ± 0.25		CHK'D: SHRUTJ 2022/05/13		DOC TYPE   DOC PART   REVISION		
⊠ = 0	1 PLACE ± 0.3		APPR: ISHWARG 2022/05/13				
■ = 0	0 PLACES ±		INITIAL REVISION:		MATERIAL NUMBER		
▽ = 0	DRAFT WHERE APPLICABLE MUST REMAIN WITHIN DIMENSIONS		DRWN: SUDAYGUNAGI 2018/06/18				
			APPR: ISHWARG 2019/02/20		SHEET NUMBER		
			THIRD ANGLE PROJECTION				
			DRAWING				
			SERIES				
			A1-SIZE 207841				

**POLARIZATION**

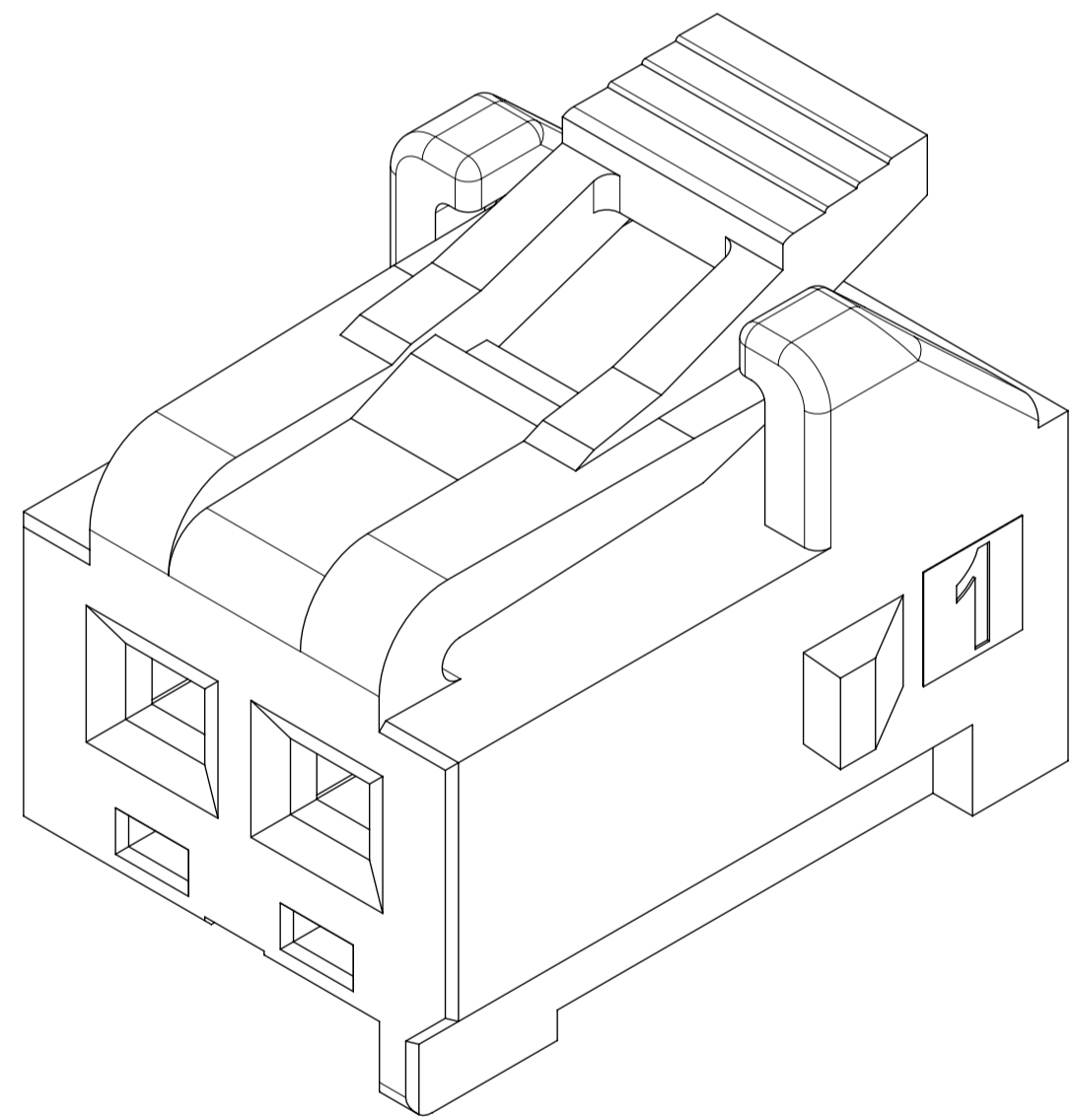
2 & 3 CKT



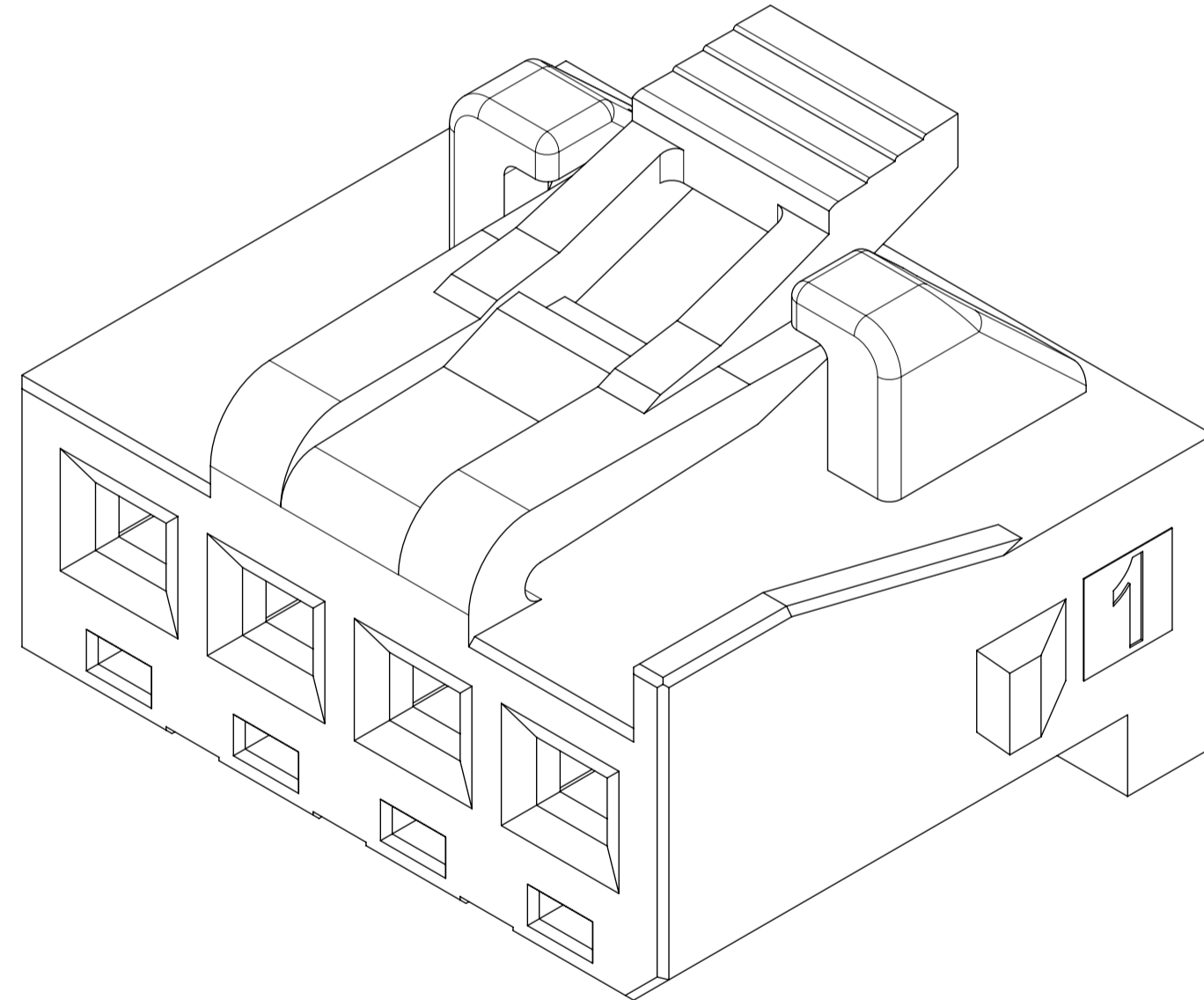
4 TO 10 CKT



ISOMETRIC OF 2 & 3 CKT



ISOMETRIC OF 4 TO 10 CKT



<b>SYMBOLS</b>	THIS DRAWING CONTAINS INFORMATION THAT IS PROPRIETARY TO MOLEX ELECTRONIC TECHNOLOGIES, LLC AND SHOULD NOT BE USED WITHOUT WRITTEN PERMISSION	<b>CURRENT REV DESC:</b>		<b>molex</b>																			
	<table border="1"> <tr> <th>DIMENSION UNITS</th> <th>SCALE</th> </tr> <tr> <td>mm</td> <td>10:1</td> </tr> </table>	DIMENSION UNITS	SCALE	mm	10:1	<table border="1"> <tr> <td>EC NO:</td> <td>706742</td> </tr> <tr> <td>DRWN:</td> <td>SHRUTJ 2022/04/20</td> </tr> <tr> <td>CHK'D:</td> <td>SHRUTJ 2022/05/13</td> </tr> <tr> <td>APPR:</td> <td>ISHWARG 2022/05/13</td> </tr> </table>		EC NO:	706742	DRWN:	SHRUTJ 2022/04/20	CHK'D:	SHRUTJ 2022/05/13	APPR:	ISHWARG 2022/05/13	RECEPTACLE HOUSING FOR KK PLUS 250							
	DIMENSION UNITS	SCALE																					
	mm	10:1																					
	EC NO:	706742																					
DRWN:	SHRUTJ 2022/04/20																						
CHK'D:	SHRUTJ 2022/05/13																						
APPR:	ISHWARG 2022/05/13																						
GENERAL TOLERANCES (UNLESS SPECIFIED) ANGULAR TOL ± 0.5°	<table border="1"> <tr> <th>GENERAL TOLERANCES (UNLESS SPECIFIED)</th> <th>PLACES</th> <th>TOLERANCE</th> </tr> <tr> <td>4 PLACES</td> <td>±</td> <td></td> </tr> <tr> <td>3 PLACES</td> <td>±</td> <td></td> </tr> <tr> <td>2 PLACES</td> <td>±</td> <td>0.25</td> </tr> <tr> <td>1 PLACE</td> <td>±</td> <td>0.3</td> </tr> <tr> <td>0 PLACES</td> <td>±</td> <td></td> </tr> </table>		GENERAL TOLERANCES (UNLESS SPECIFIED)	PLACES	TOLERANCE	4 PLACES	±		3 PLACES	±		2 PLACES	±	0.25	1 PLACE	±	0.3	0 PLACES	±		PRODUCT CUSTOMER DRAWING		
GENERAL TOLERANCES (UNLESS SPECIFIED)	PLACES	TOLERANCE																					
4 PLACES	±																						
3 PLACES	±																						
2 PLACES	±	0.25																					
1 PLACE	±	0.3																					
0 PLACES	±																						
DRAFT WHERE APPLICABLE MUST REMAIN WITHIN DIMENSIONS	THIRD ANGLE PROJECTION 	DRAWING <b>A1-SIZE</b>	SERIES <b>207841</b>	DOCUMENT NUMBER <b>2078410004-SD</b>	DOC TYPE <b>PSD</b>	DOC PART <b>000</b>	REVISION <b>A2</b>																

**molex**

RECEPTACLE HOUSING FOR KK PLUS 250

PRODUCT CUSTOMER DRAWING

DOCUMENT NUMBER	DOC TYPE	DOC PART	REVISION
<b>2078410004-SD</b>	<b>PSD</b>	<b>000</b>	<b>A2</b>

MATERIAL NUMBER	CUSTOMER	SHEET NUMBER
		<b>2 OF 2</b>