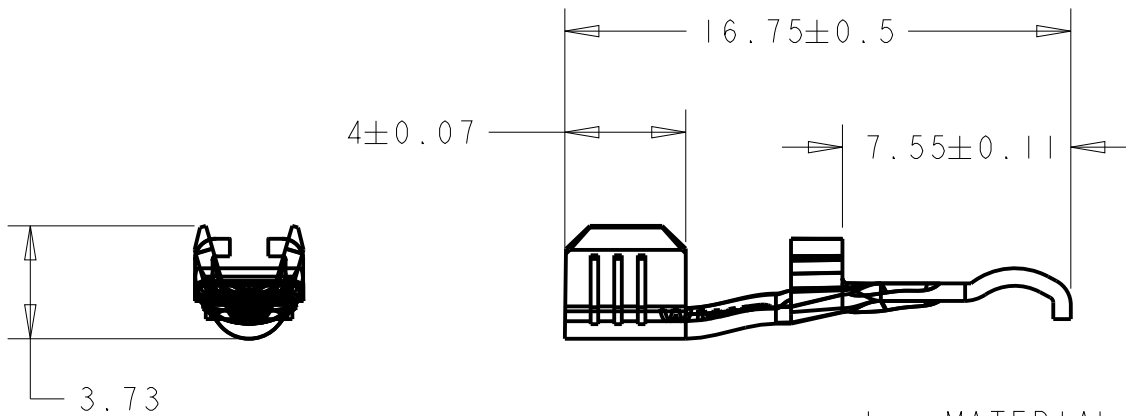
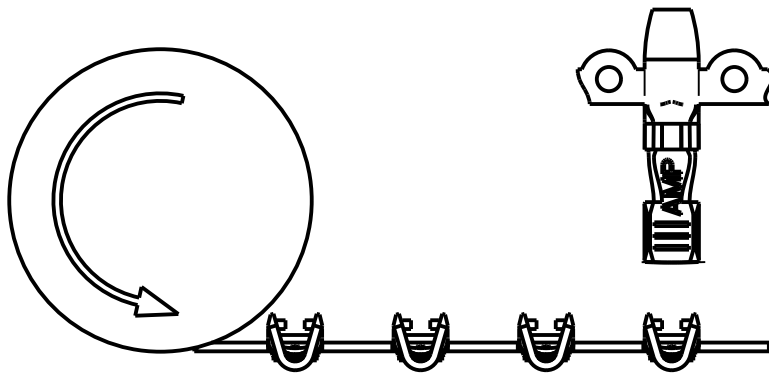


LOC	DIST	REVISIONS					
CM	0	P	LTR	DESCRIPTION	DATE	DWN	APVD
			2	ADDED -2, REVISED NOTE 1	06FEB03	BH	RW
			3	REVISED, ADDED DIMS AND TESTING NOTE			
			A	ECO-08-008100	02APR2008	KW	SR
			B	OBSOLETE PER ECO-18-010313	26JUN2019	ML	SZ

THIS PRODUCT HAS PASSED VERIFICATION AND AGENCY APPROVALS TESTING AND IS COMPONENT RECOGNIZED PER UL 1977 AND CSA 22.2. TYCO ELECTRONICS PRODUCT QUALIFICATION TESTING IS NOT YET COMPLETE.



1. MATERIAL; COPPER
2. 3000 PCS/REEL



**OBSOLETE**

**METRIC**

TIN	1604113-2
SILVER	1604113-1
FINISH	PART NUMBER

DIMENSIONS: mm	DWN B. HAYMAKER 11 APR 2002	MATERIAL -	FINISH -
TOLERANCES UNLESS OTHERWISE SPECIFIED:	CHK K. KETELSLEGER 11 APR 2002	Tyco Electronics Harrisburg, PA 17105-3608	
0 PLC ±0.13 1 PLC ±0.13 2 PLC ±0.13 3 PLC ±0.13 4 PLC ± ANGLES ±30'	APVD K. KETELSLEGER 11 APR 2002		
	PRODUCT SPEC -	NAME CONTACT, 15 AMP POWER PRODUCT (16-20 AWG)	
	APPLICATION SPEC -	SIZE A4	CAGE CODE 00779
	WEIGHT -	DRAWING NO C-1604113	RESTRICTED TO
	CUSTOMER DRAWING	SCALE 4:1	SHEET 1 OF 1 REV B