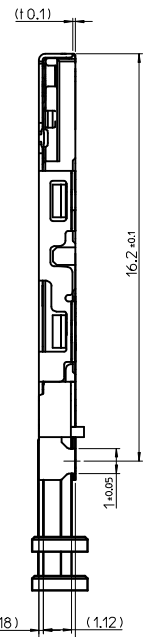
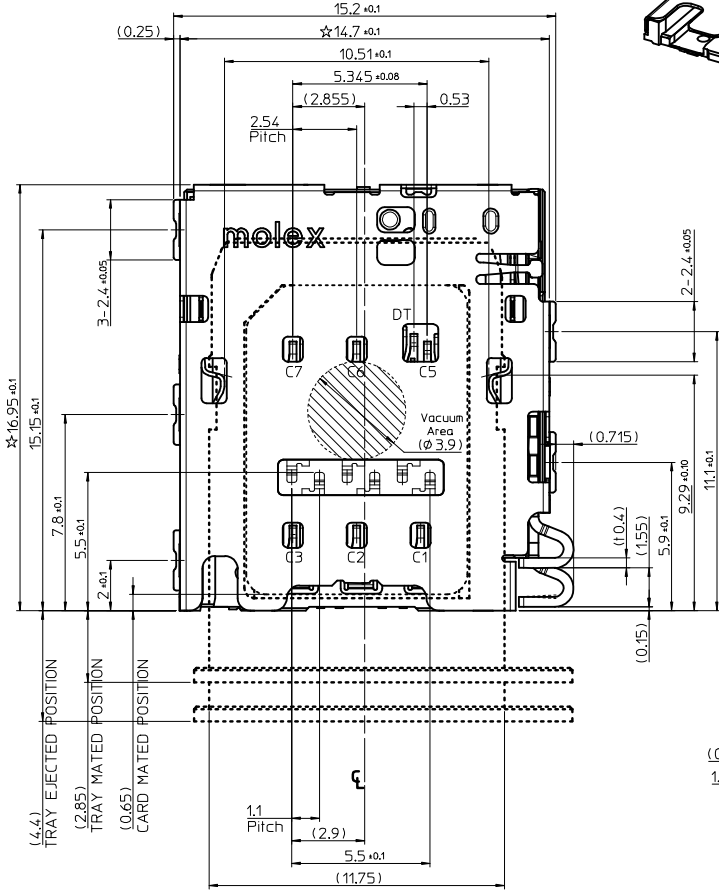
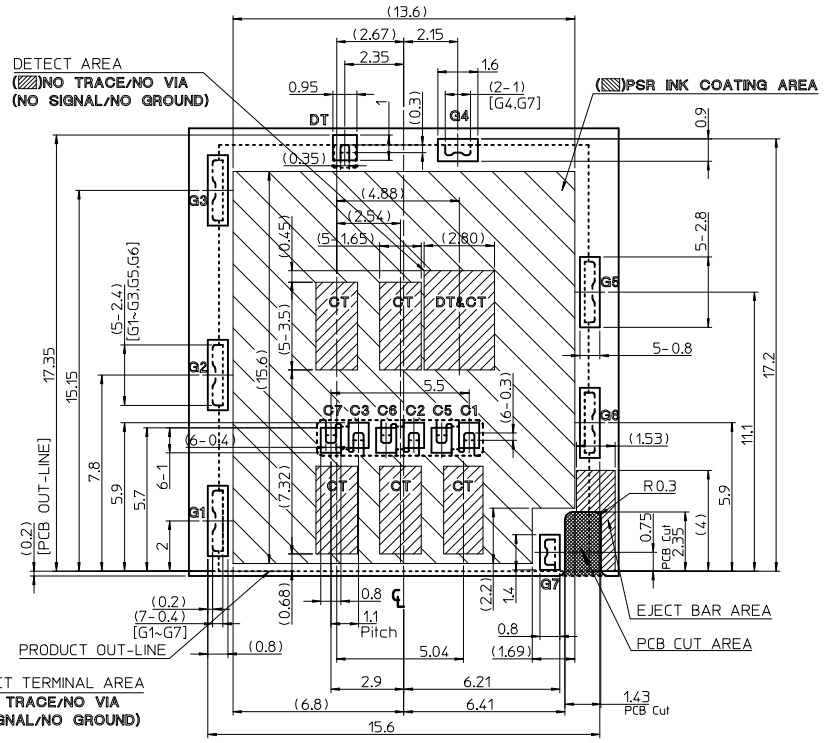


Isometric View 1  
(Scale 4/1)

- MATERIALS:
  - 1-1. HOUSING : HIGH TEMPERATURE THERMOPLASTIC,UL 94V-0, BLACK
  - 1-2. CONTACT & DETECT TER'L : COPPER ALLOY
  - 1-3. METAL SHELL & EJECT HINGE & RIGHT/LEFT LATCH : STAINLESS STEEL
- FINISHES:
  - 2-1. CONTACT & DETECT TER'L : 1.25-5.5 MICRON NICKEL UNDER-PLATED\*\*  
MIN. 0.05 MICRON GOLD ON CONTACT AREA,  
MIN. 0.30 MICRON PALLADIUM-NICKEL ON CONTACT AREA,  
MIN. 0.05 MICRON GOLD ON SOLDER AREA
  - 2-2. METAL SHELL & EJECT HINGE & RIGHT/LEFT LATCH :  
1.25-3.0 MICRON NICKEL OVER ALL
- ★ 3. COPLANARITY OF SOLDERTAILS : 0.08mm MAX.(BEFORE & AFTER REFLOW)
4. PRODUCT SPECIFICATION : PS-104257-001
5. PACKAGING SPECIFICATION : PK-104257-001
6. ★ IS CTF DIMENSION EQUAL TO MOLEX MAJOR QUALITY SYMBOLS



CT : CONTACT TERMINAL AREA  
NO TRACE/NO VIA  
(NO SIGNAL/NO GROUND)



microSIM & nanoSIM  
CARD PIN-MAP

No.	DESCRIPTION
C1	Vcc(Supply V)
C2	RST(Reset)
C3	CLK(Clock)
(C4)	Reserved
C5	GND
C6	Vpp(Program V)
C7	I/O
(C8)	Reserved
DT	Detect
C5	GND
G1	GND
-G7	GND

**RECOMMENDED PCB PATTERN LAYOUT**

TOLERANCE : ±0.05

1042570621	104257-0621
MATERIAL NO.	ORDER NO.

PROPOSAL-REVISED	EC NO: KOR2016-0045	DRWN: IHYOU	2015/11/24	CH'KD:	APPR: YSKIM02	2015/11/20
REV	DESCRIPTION	DATE	DATE			
A						

QUALITY SYMBOLS	GENERAL TOLERANCES (UNLESS SPECIFIED)
▽=0	mm INCH
▽=0	4 PLACES ± --- ± ---
	3 PLACES ± --- ± ---
	2 PLACES ± 0.10 ± ---
	1 PLACE ± 0.15 ± ---
	0 PLACE ± --- ± ---
	ANGULAR ± 1 °
	DRAFT WHERE APPLICABLE MUST REMAIN WITHIN DIMENSIONS

DIMENSION STYLE	SCALE	DESIGN UNITS
MM ONLY	5/1	METRIC
DRAWN BY	DATE	TITLE
IHYOU	2014/08/21	
CHECKED BY	DATE	
SHCHU		
APPROVED BY	DATE	
YSKIM02	2015/10/16	
MATERIAL NO.	DOCUMENT NO.	
SEE TABLE	SD-104257-001	

THIRD ANGLE PROJECTION

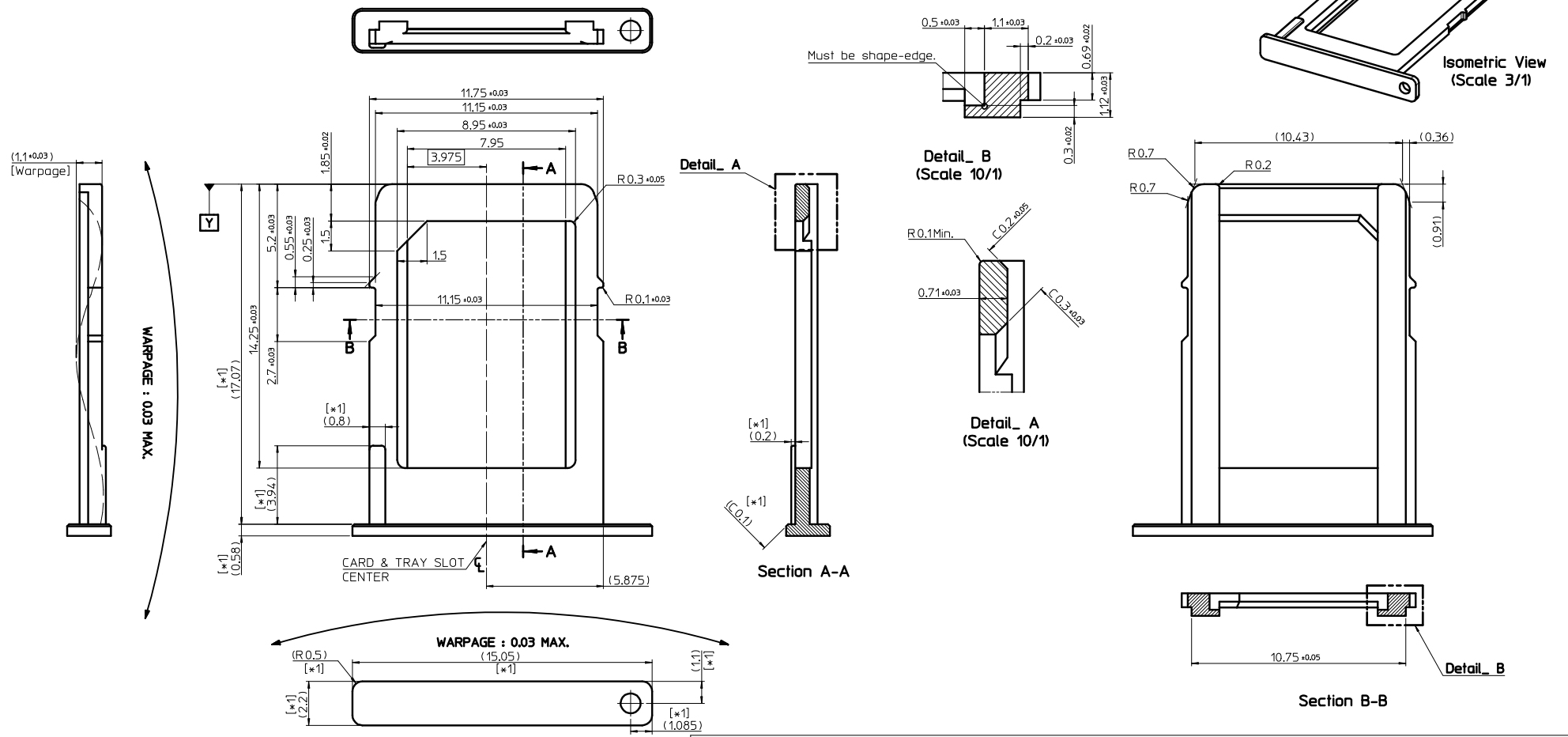
**NANOSIM SOCKET**  
6P, 145H, BAR-PUSH  
W-DT & TRAY TYPE

**molex**

SHEET NO. 1 OF 3

THIS DRAWING CONTAINS INFORMATION THAT IS PROPRIETARY TO MOLEX INCORPORATED AND SHOULD NOT BE USED WITHOUT WRITTEN PERMISSION

# TRAY REFERENCE DRAWING



APPLICABLE MIM & CNC & PLASTIC TRAY  
 (REFERENCE ONLY)  
 TOLERANCE : ±0.05  
 COPLANALITY 0.05MAX  
 SURFACE ROUGHNESS : Ra=0.5 μm MAX.

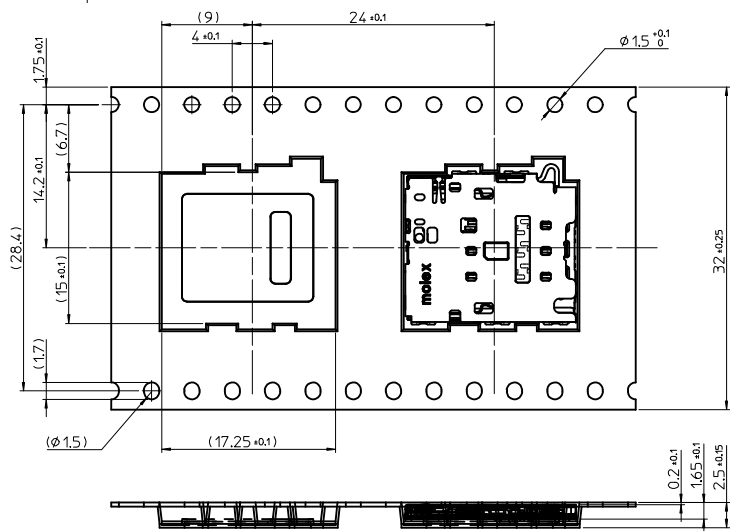
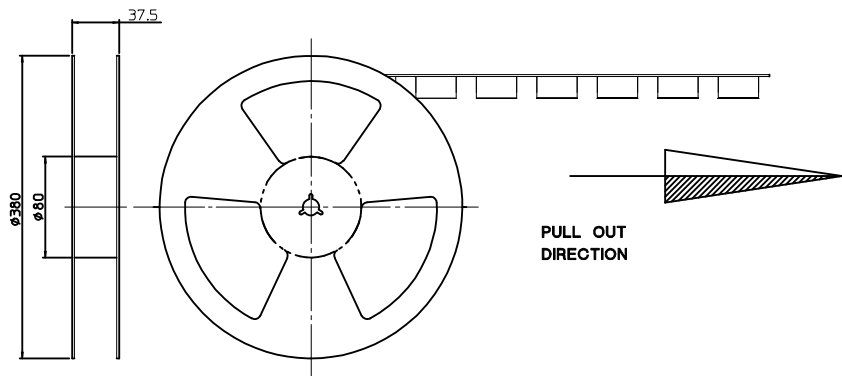
[\*1]CUSTOMER CAN DECIDE THIS DIMENSION.

REFERENCE ONLY  
 There is a proposed drawing for concept,  
 so the dimensions are subject to change without notice.  
 Also, this model is tentative, and has the possibility of changing.

Molex shall not be responsible for any infringement to the extent such infringement is the result of (a) use of the Product(s) in combination with any other products not provided by Molex if the infringement would not have occurred but for such combination, (b) any alteration or modification of the Product(s) not undertaken or authorized by Molex if the infringement would not have occurred but for such alteration or modification, (c) Molex's compliance with Buyer's specifications if the infringement would not have occurred but for such compliance, or (d) Buyer's failure to comply with Molex's instructions regarded as necessary to render the Product(s) non-infringing if the infringement would not have occurred if Buyer would have complied with Molex's instructions

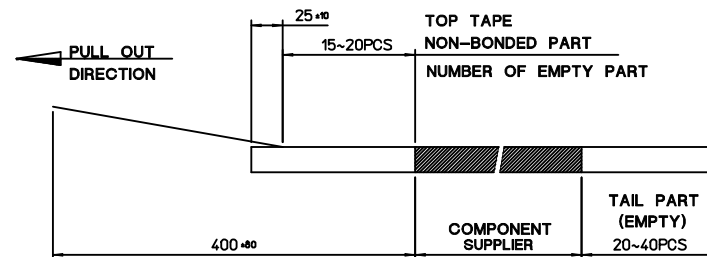
PROPOSAL-REVISED  
 EC NO: KOR2016-0045  
 DRWN: IHYOU 2015/11/24  
 CHKD:  
 APPR: YSKI M02 2015/11/30

QUALITY SYMBOLS	GENERAL TOLERANCES (UNLESS SPECIFIED)	DIMENSION STYLE	SCALE	DESIGN UNITS	THIRD ANGLE PROJECTION	
▽=0 ▽=0	mm INCH	MM ONLY	5/1	METRIC		
	4 PLACES ± --- ± ---	DRAWN BY DATE	TITLE			
	3 PLACES ± --- ± ---	IHYOU 2014/08/21	NANOSIM SOCKET			
	2 PLACES ± 0.05 ± ---	CHECKED BY DATE	6P, 1.45H, BAR-PUSH			
	1 PLACE ± 0.05 ± ---	SHCHU	W-DT & TRAY TYPE			
	0 PLACE ± --- ± ---	APPROVED BY DATE	<b>molex</b>			
	ANGULAR ± 1 °	YSKIM02 2015/10/16				
	DRAFT WHERE APPLICABLE MUST REMAIN WITHIN DIMENSIONS	MATERIAL NO.	ENTER PART		DOCUMENT NO.	SHEET NO.
		A3	SD-104257-001		2 OF 3	
		THIS DRAWING CONTAINS INFORMATION THAT IS PROPRIETARY TO MOLEX INCORPORATED AND SHOULD NOT BE USED WITHOUT WRITTEN PERMISSION				

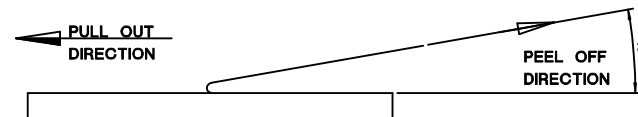


NOTES

- 1. QUANTITY OF CONNECTORS : 1,600PCS/REEL
- 2. LEAD LENGTH



- 3. PEELING OFF FORCE OF COVER TAPE : 0.1N~0.59N(10.2GF~60GF)  
(PEELING DIRECTION AS SHOW IN FOLLOW FIG.)
- PEELING OFF SPEED : 300mm/Min.(Ref.)



PROPOSAL-REVISED EC NO: KOR2016-0045 DRWN: IHYOU 2015/11/24 CHKD: APPR: YSK1M02 2015/11/30	DESCRIPTION A	QUALITY SYMBOLS	GENERAL TOLERANCES (UNLESS SPECIFIED)	DIMENSION STYLE MM ONLY	SCALE 2/1	DESIGN UNITS METRIC	THIRD ANGLE PROJECTION	
		▼=0 ▽=0	mm INCH 4 PLACES ± --- ± --- 3 PLACES ± --- ± --- 2 PLACES ± --- ± --- 1 PLACE ± 0.25 ± --- 0 PLACE ± --- ± ---	DRAWN BY IHYOU CHECKED BY SHCHU APPROVED BY YSK1M02 DATE 2014/08/21 DATE 2015/10/16	TITLE	NANOSIM SOCKET 6P, 1.45H, BAR-PUSH W-DT & TRAY TYPE <b>molex</b>		
		ANGULAR ± 1 ° DRAFT WHERE APPLICABLE MUST REMAIN WITHIN DIMENSIONS	MATERIAL NO. ENTER PART	DOCUMENT NO. SD-104257-001	SHEET NO. 3 OF 3			
		SIZE A3	THIS DRAWING CONTAINS INFORMATION THAT IS PROPRIETARY TO MOLEX INCORPORATED AND SHOULD NOT BE USED WITHOUT WRITTEN PERMISSION					